



**Technic 42093  
Chevrolet Corvette ZR1  
remote control  
modification instructions  
by RacingBrick**



## **LEGO® Technic 42093 Chevrolet Corvette ZR1 remote control modification with BuWizz**

**The modification has two gearing options, the slower one is suitable for indoor play and puts less stress on the components. The faster version is suitable for outdoor play but it has a risk of excessive wear if used in high/ludicrous mode for a longer period.**

**Contact [info@racingbrick.com](mailto:info@racingbrick.com) with any questions regarding this mod**

**You are not authorized to redistribute, copy or resell these instructions**

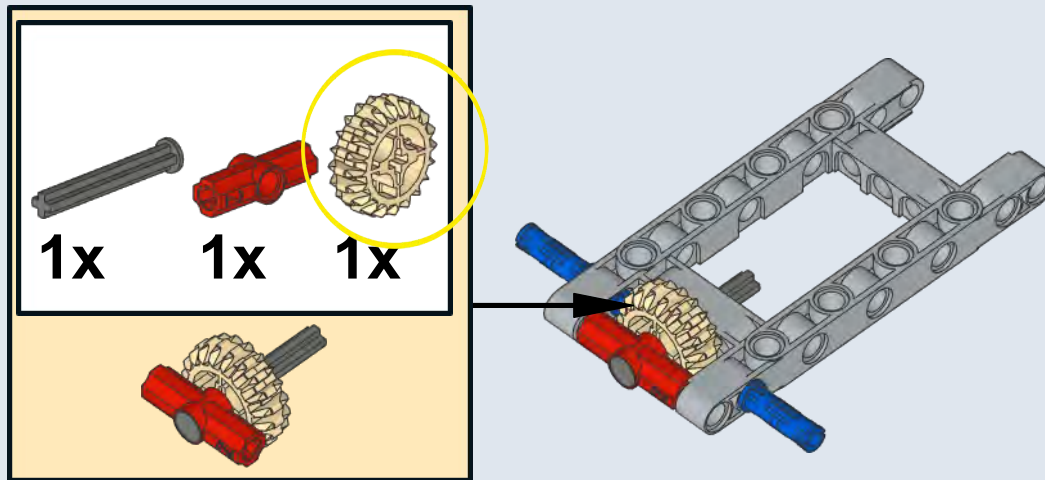
**Copyright© 2019 RacingBrick.com**

LEGO® is a registered trademark of the LEGO Group,  
which does not sponsor, endorse, or authorize these  
instructions or the model they depict.

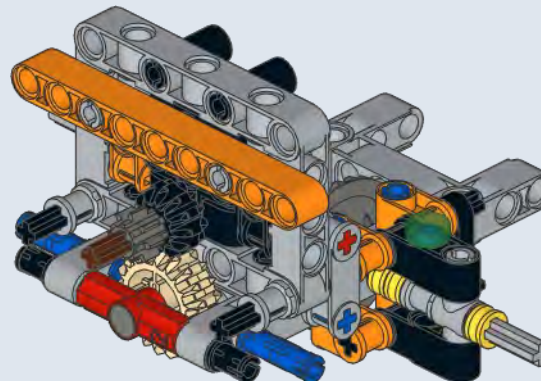
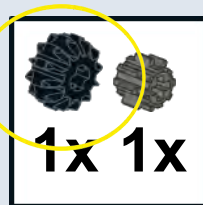


For the slower version these two steps has to be changed. At step 2 the tan 20 tooth gear has to be used instead of the grey 16 tooth gear, at step 21 the black 12 tooth gear has to be used instead of the grey 16 tooth gear.

2



21

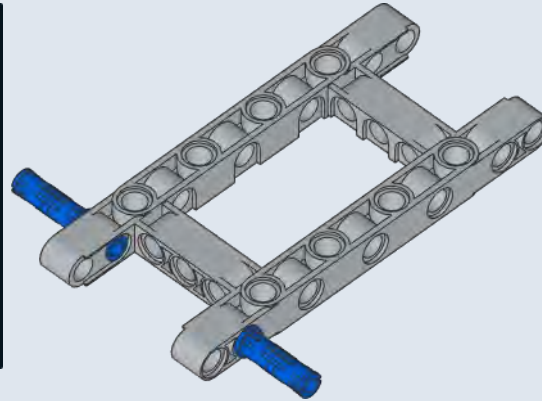




**1**

**2x**

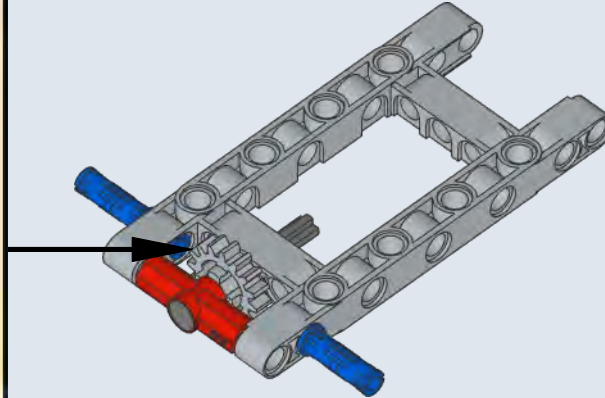
**1x**



**2**

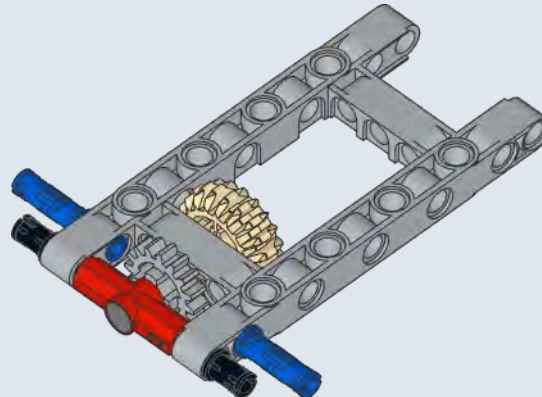
**4**

**1x** **1x** **1x**



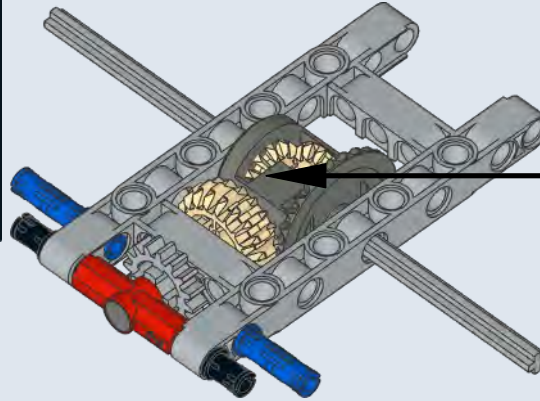
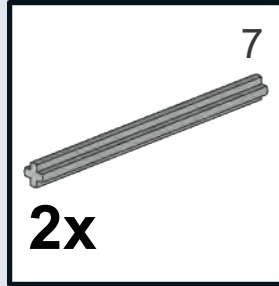
**3**

**2x** **1x**



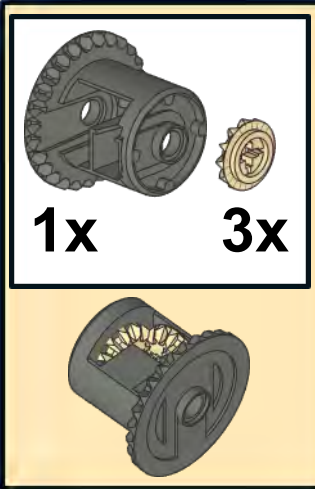


4

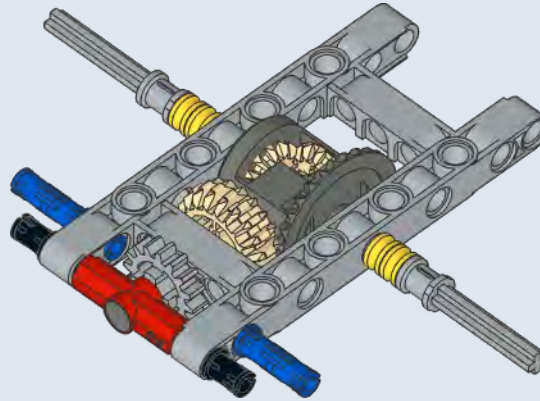
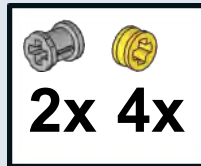


1x

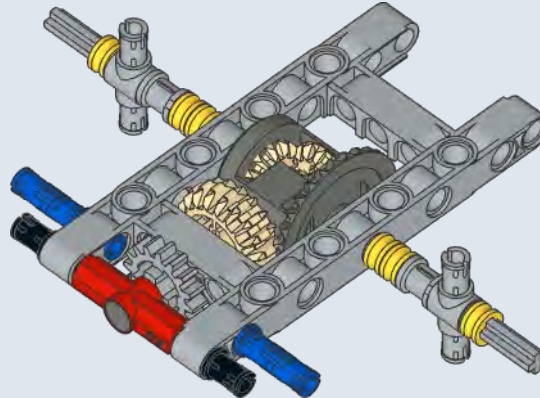
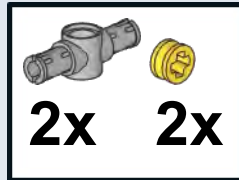
3x



5

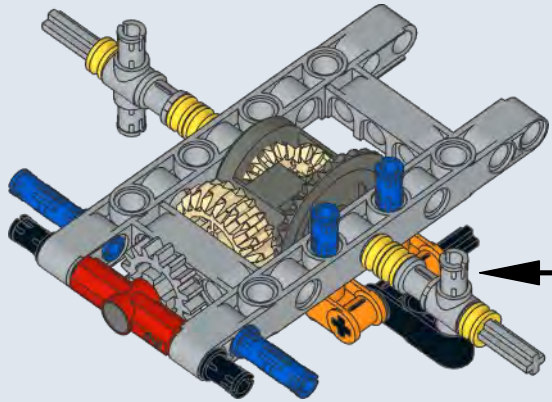







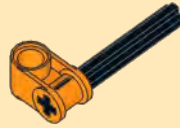

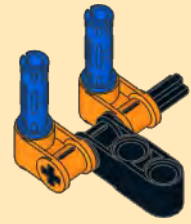
6





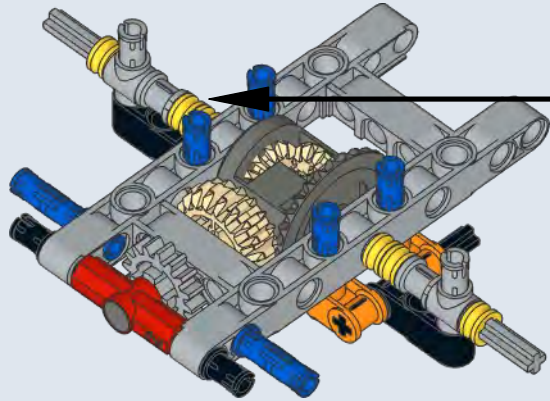
7











<p><b>1</b></p>  <p><b>1x</b></p>  <p><b>1x</b></p> <p>4</p>	<p><b>2</b></p>  <p><b>1x</b></p>  <p><b>1x</b></p>	<p><b>3</b></p>  <p><b>2x</b></p>
		



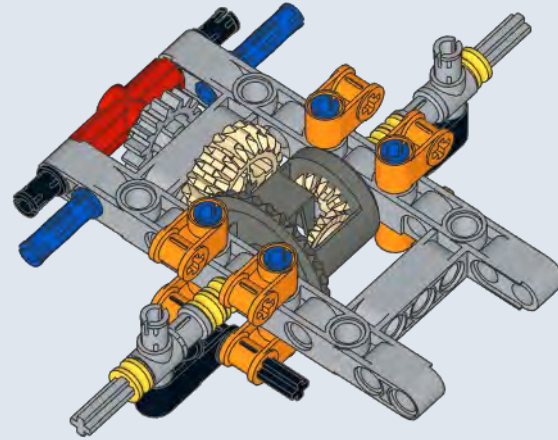
8



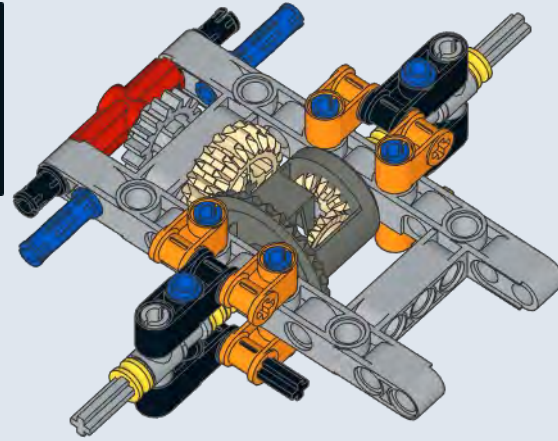
<p><b>1</b></p>  <p><b>1x</b></p>  <p><b>1x</b></p> <p>4</p>	<p><b>2</b></p>  <p><b>1x</b></p>  <p><b>1x</b></p>	<p><b>3</b></p>  <p><b>2x</b></p>
		



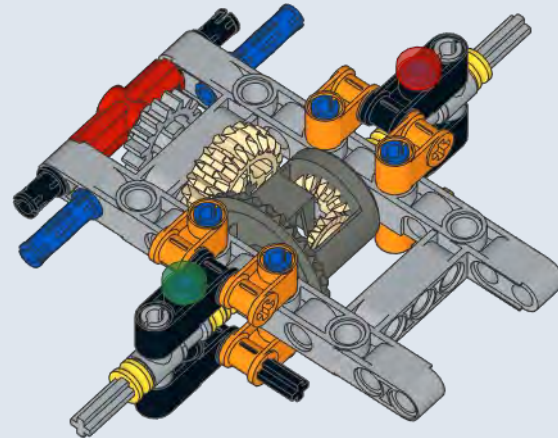
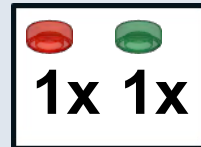
9



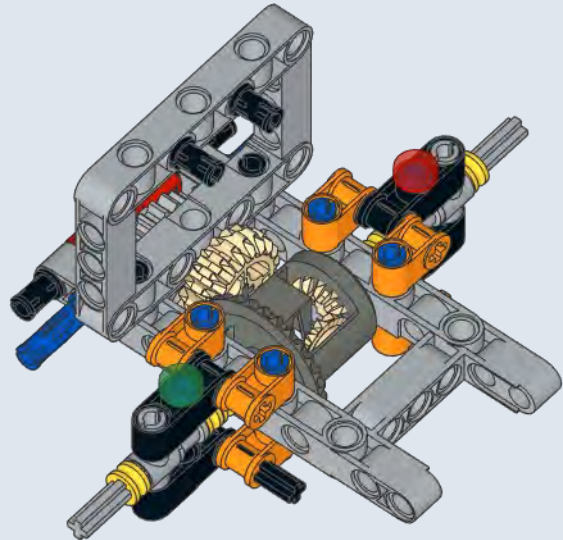
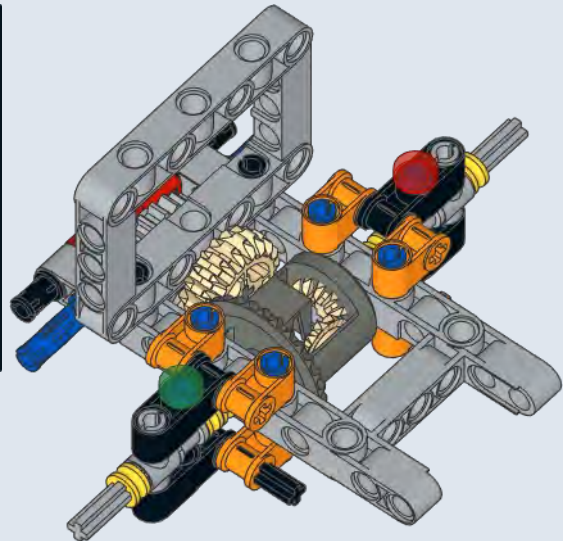
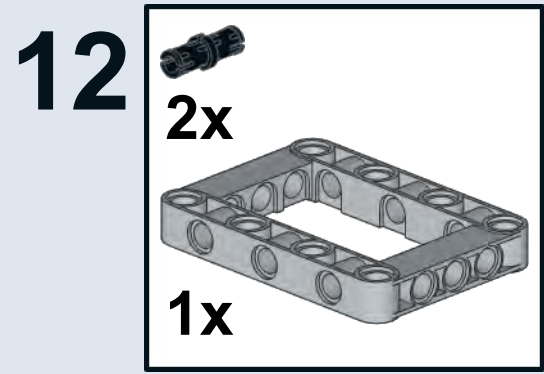
10

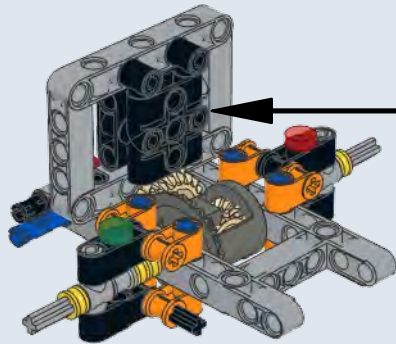






11





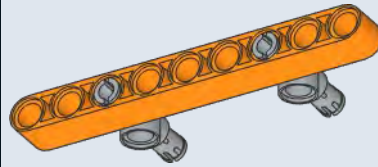
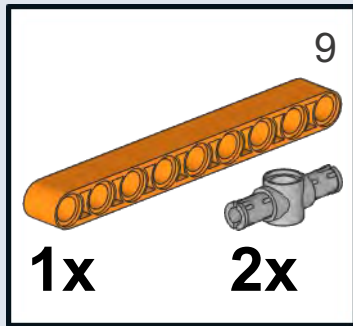




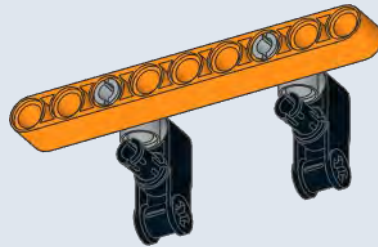
<b>1</b>  <b>2x 1x</b>	<b>2</b>  <b>2x 1x</b>
	



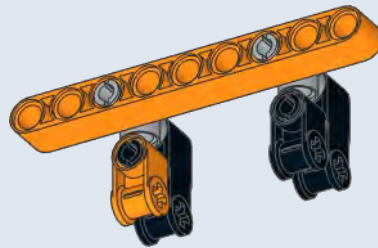
1

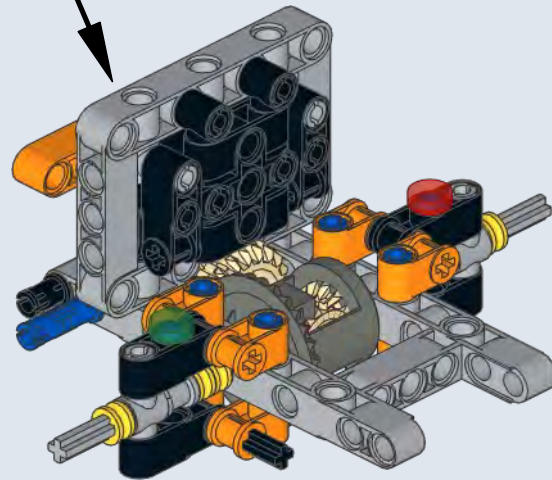
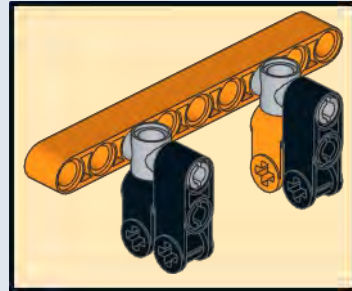


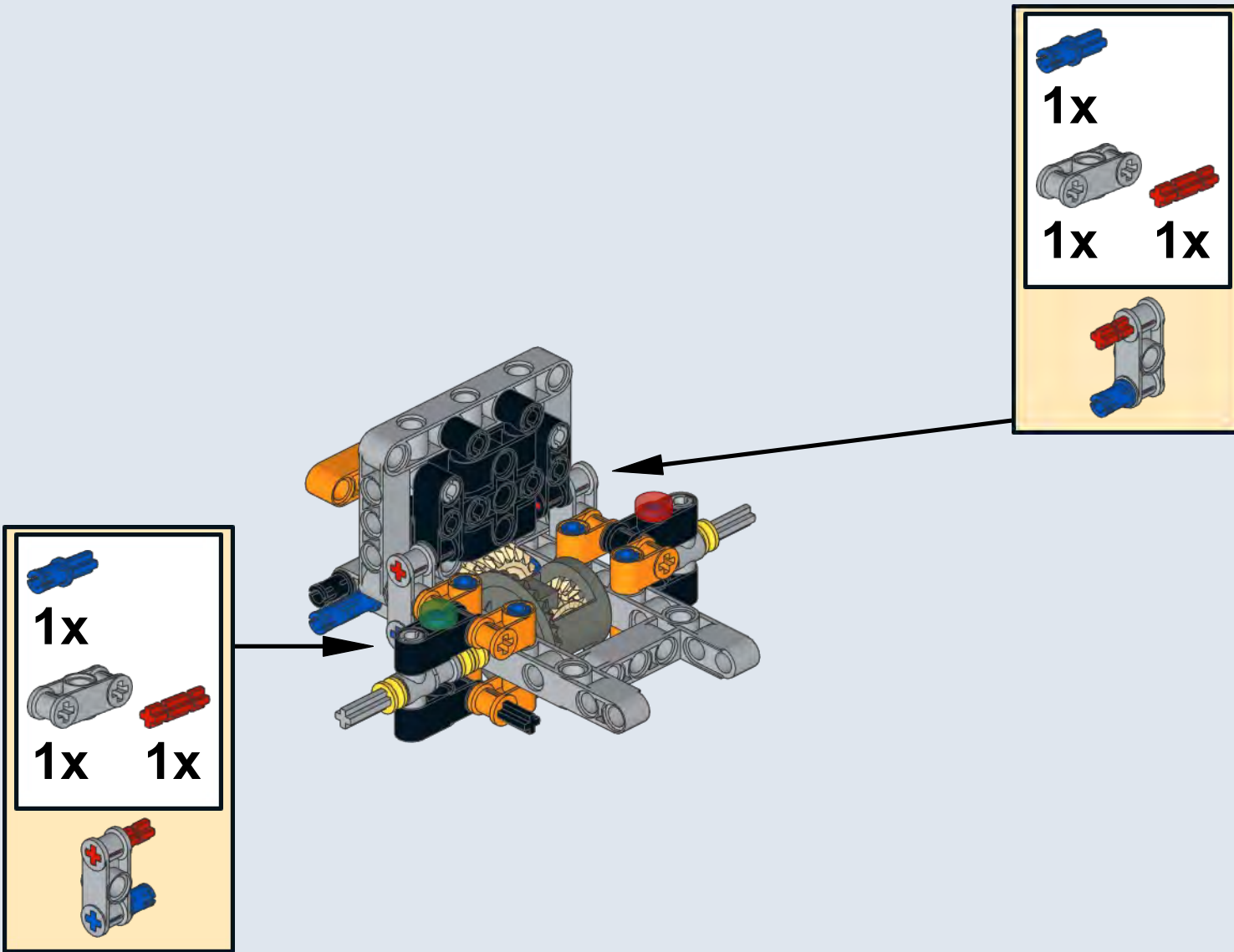
2



3

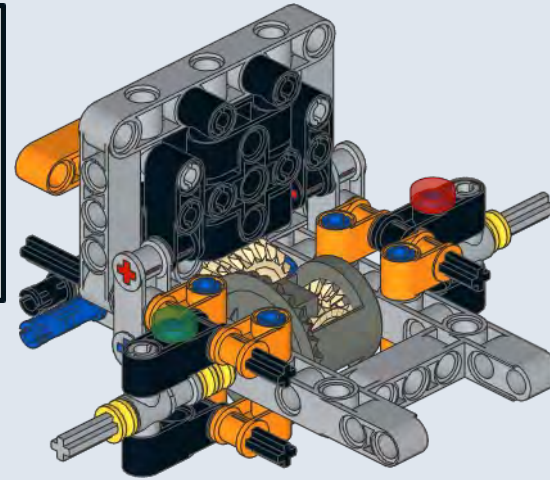




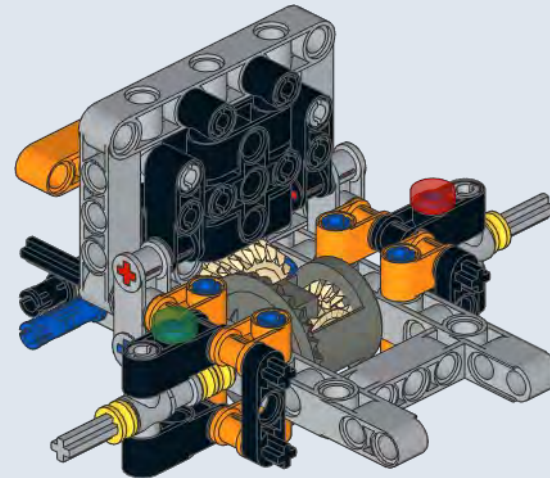




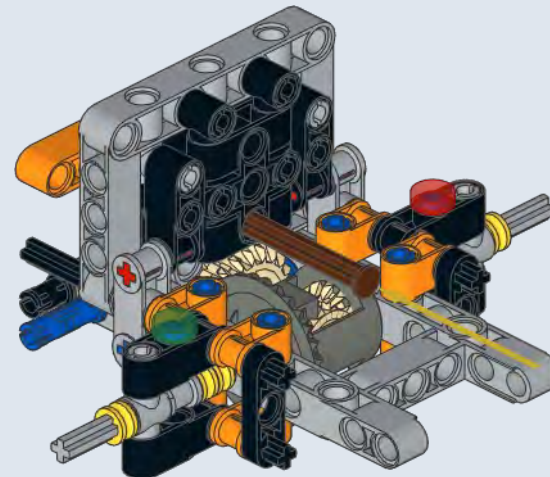
17



18

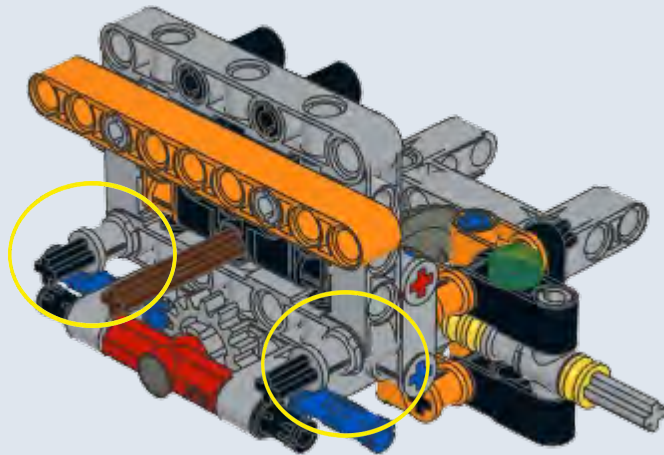


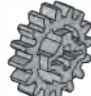
19

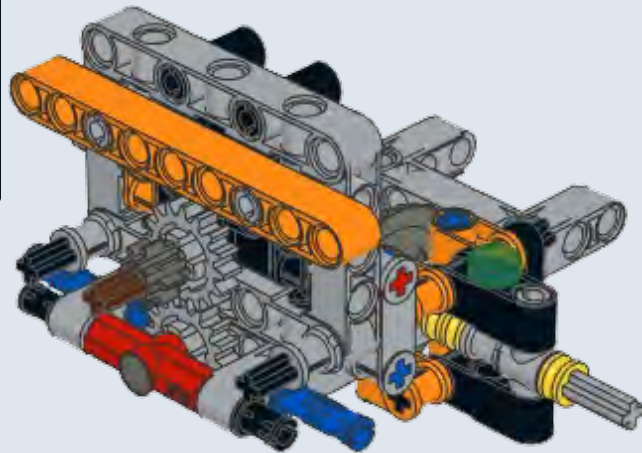


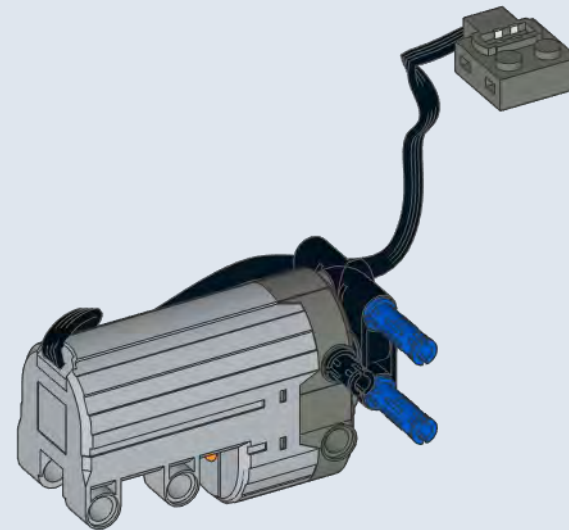
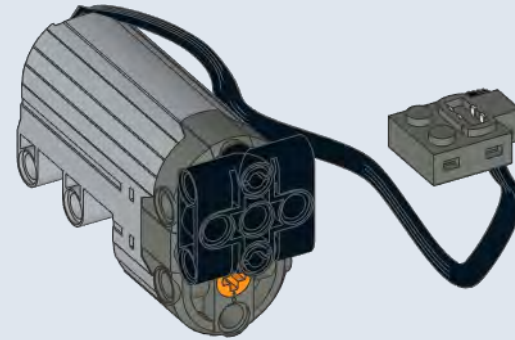
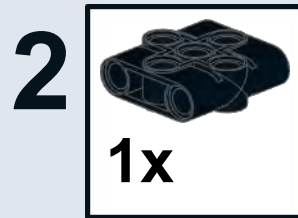
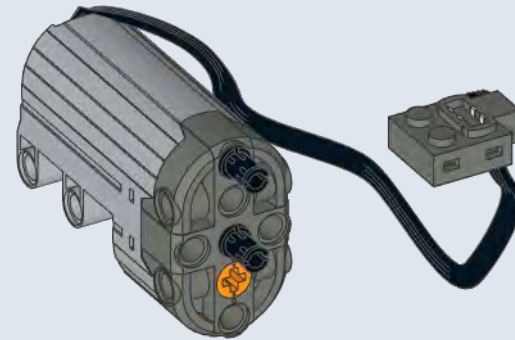
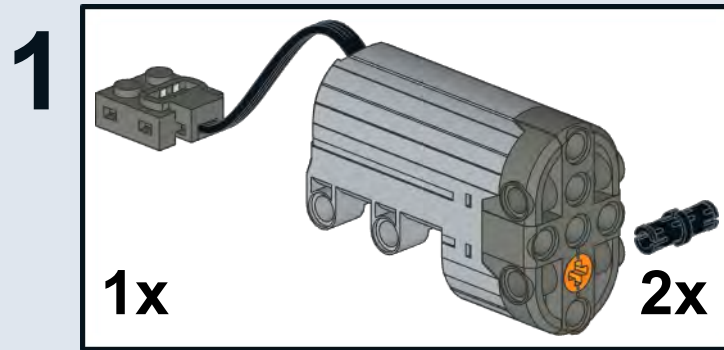


**20**   
**2x**



**21**   
**1x 1x**



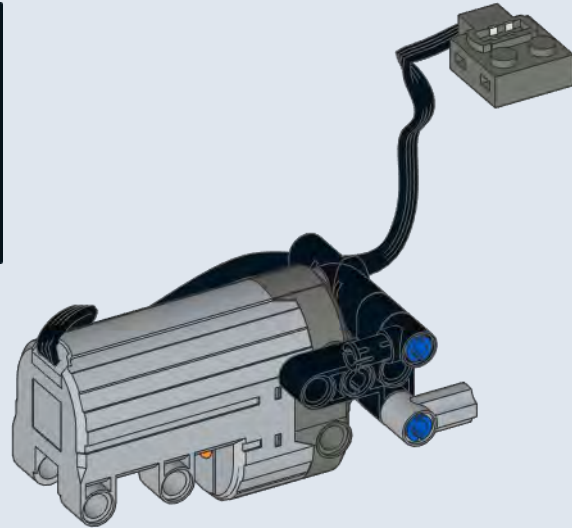






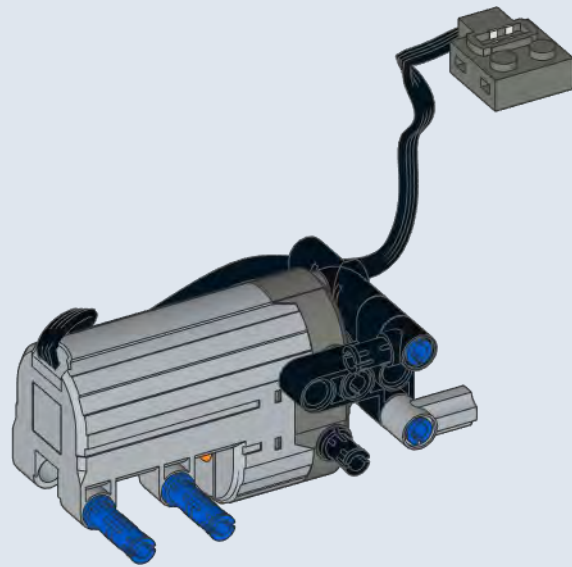
**4**

**1x 1x 1x**



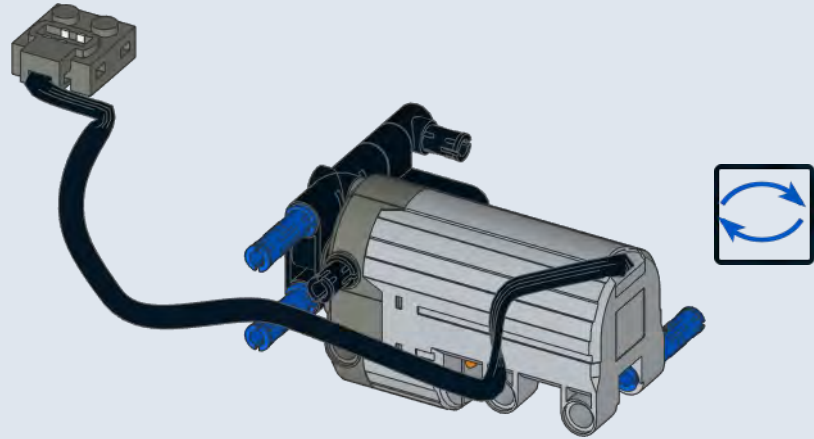
**5**

**2x 1x**

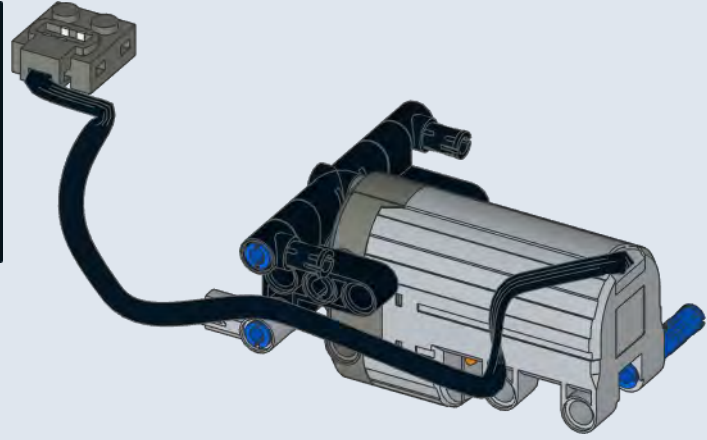




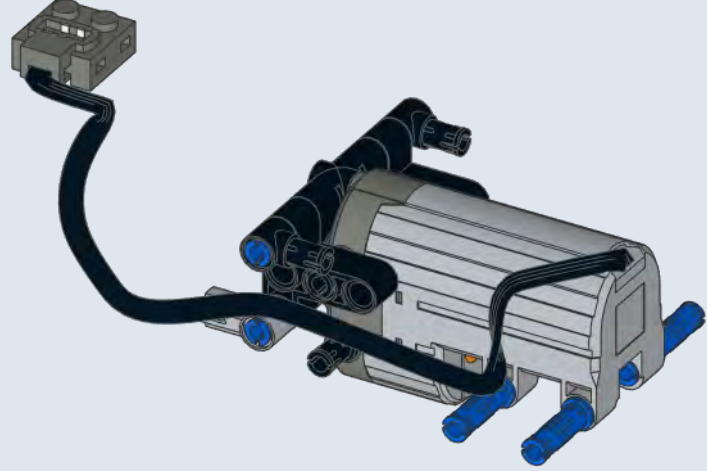
**6**  
2x 1x



**7**  
1x 1x 1x

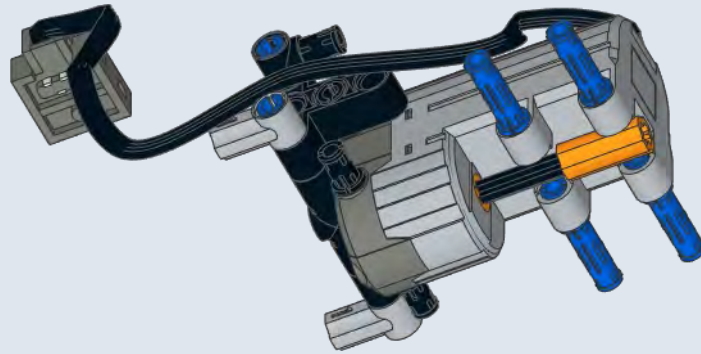
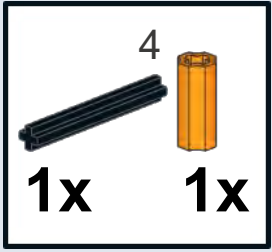


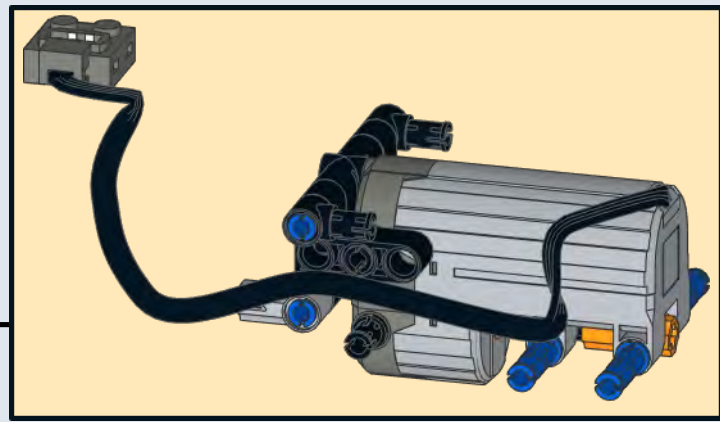
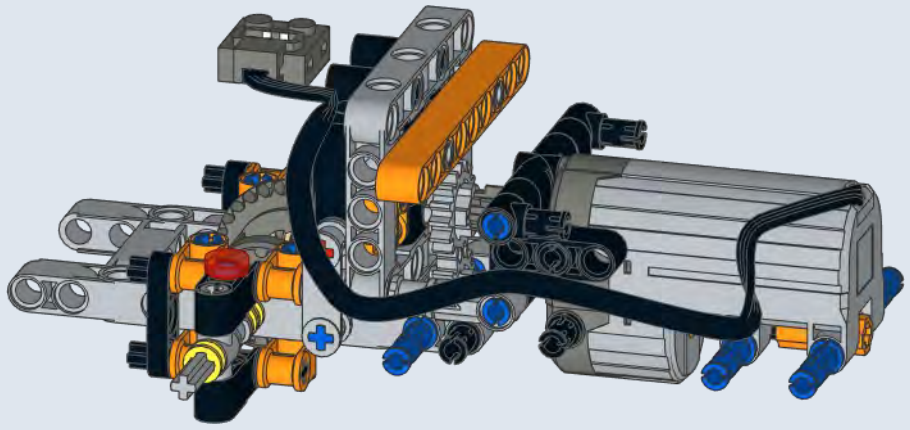
**8**  
2x 1x





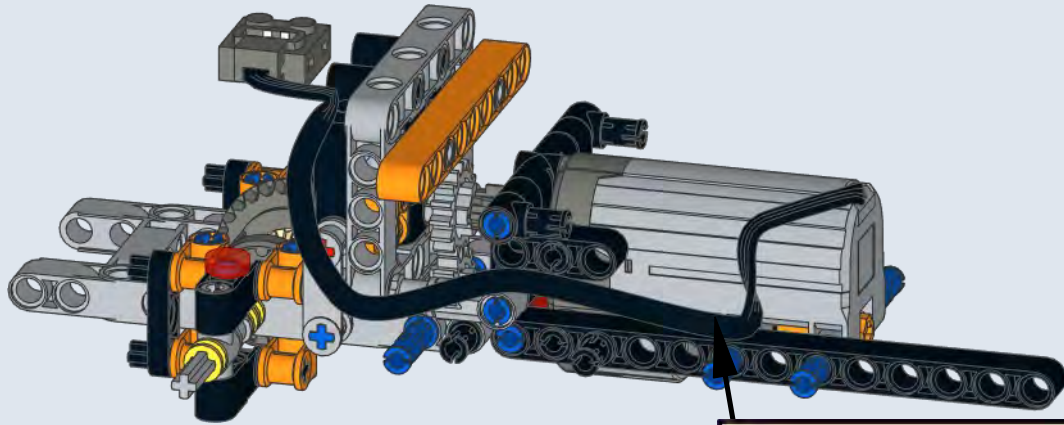
9










23

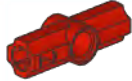



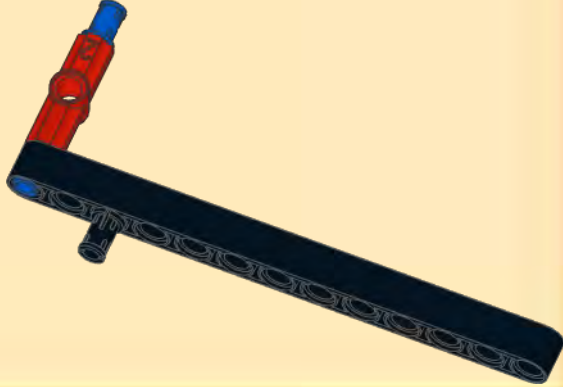
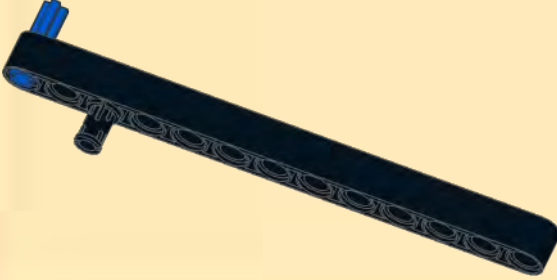
**1**

1x  13 

1x  1x

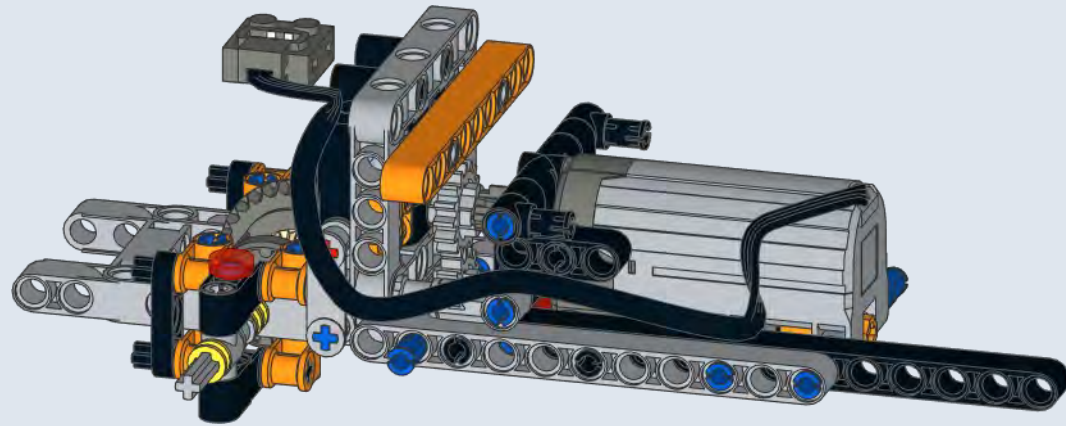
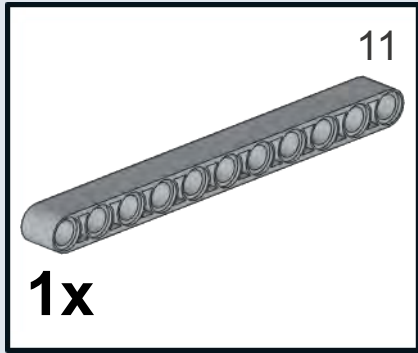
**2**

1x  1x 

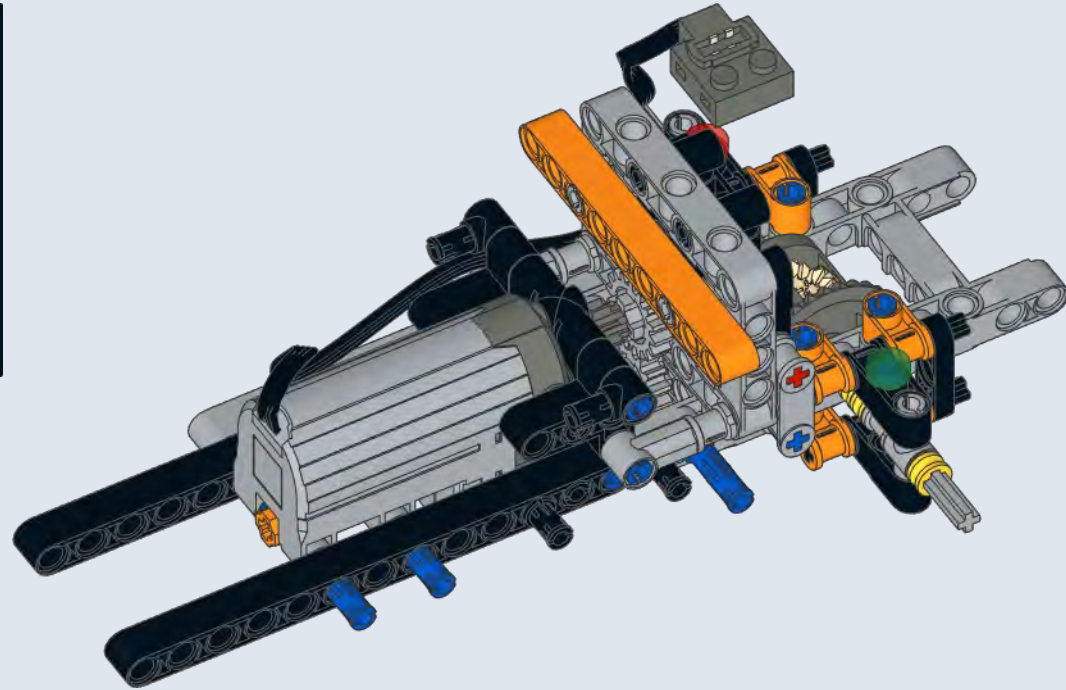
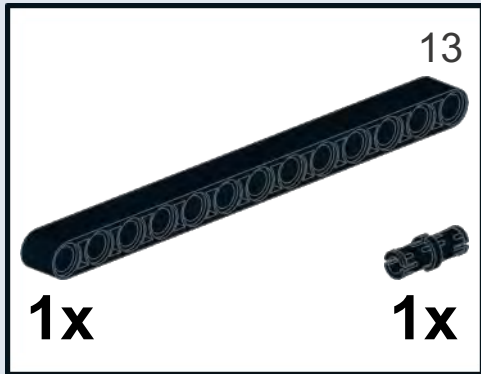




24

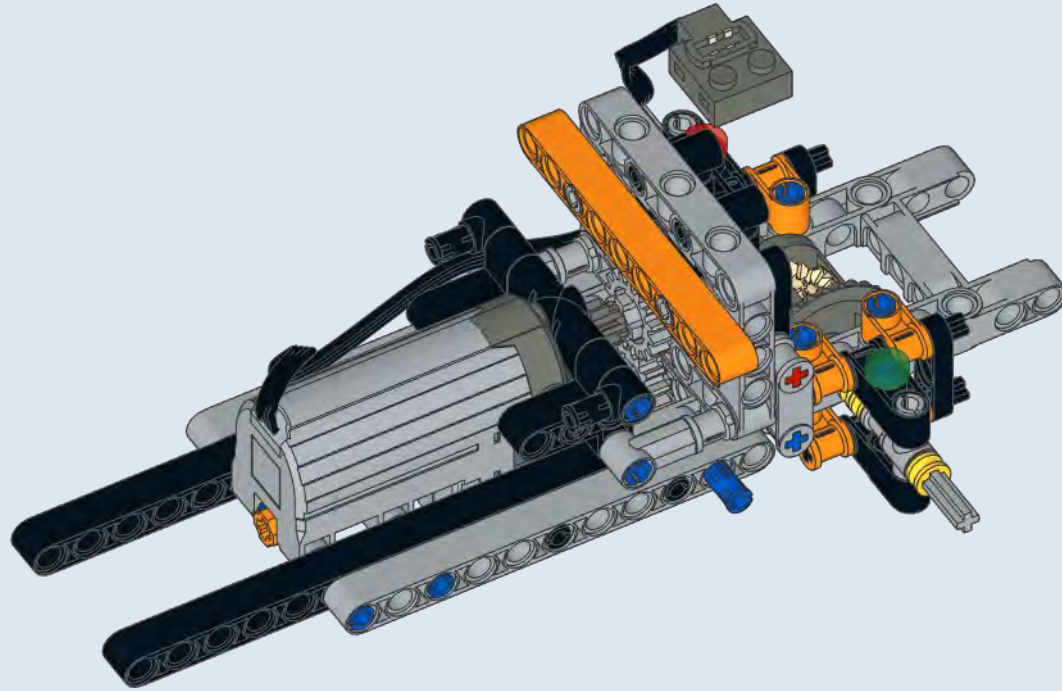
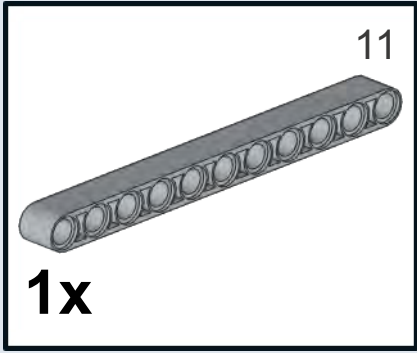


25

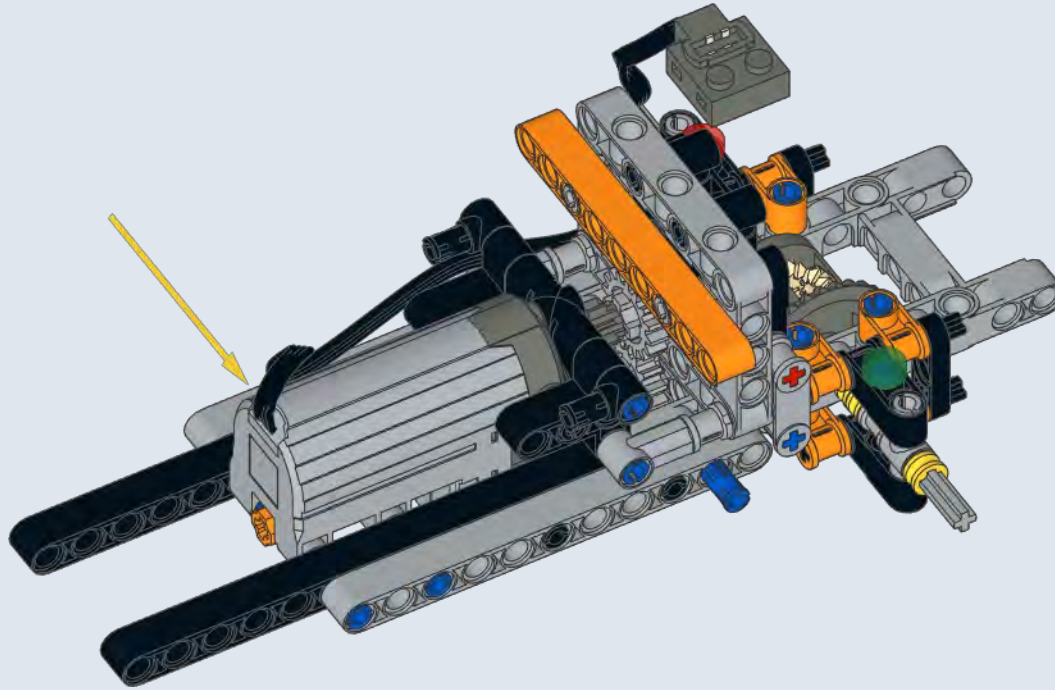




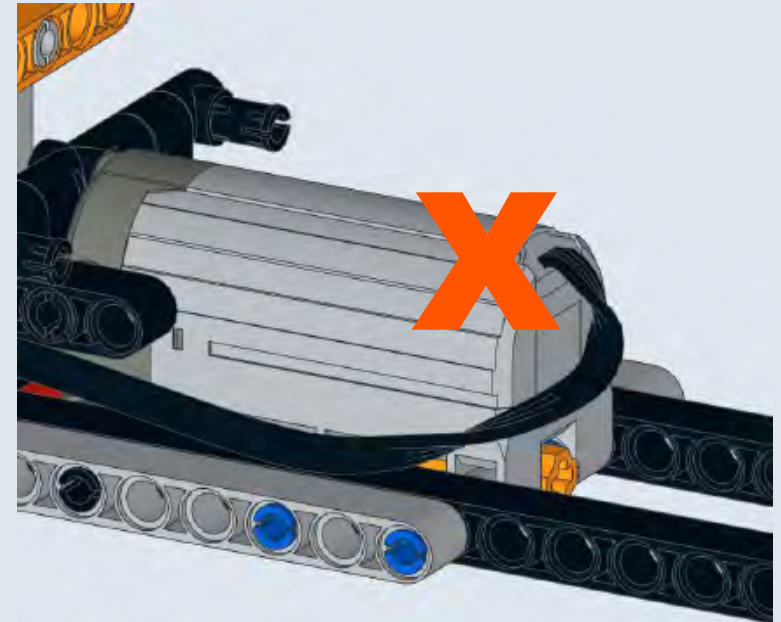
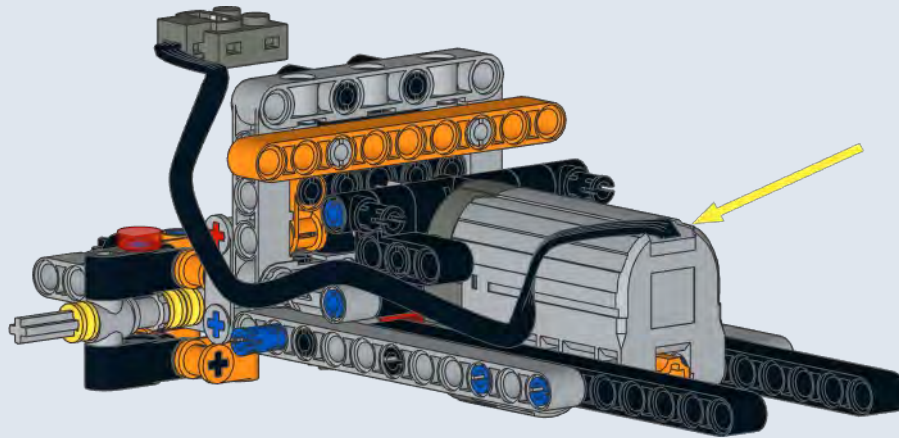
26



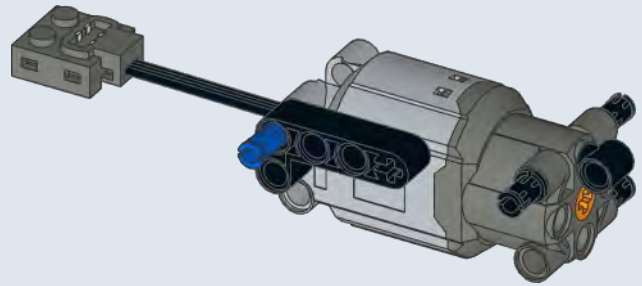
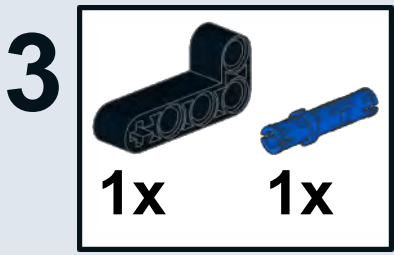
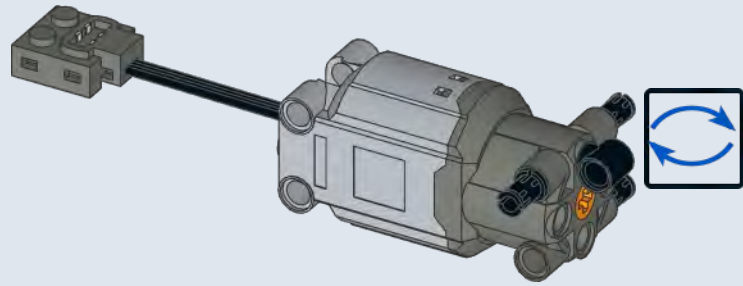
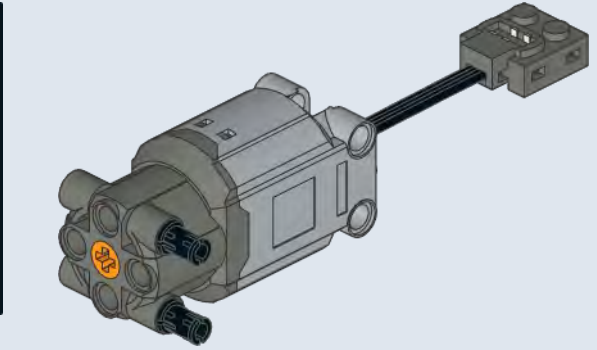
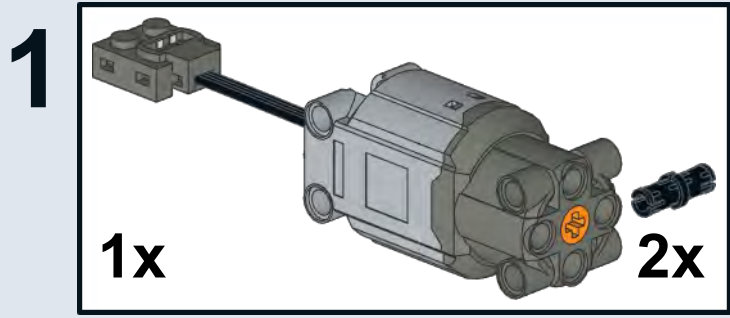
27



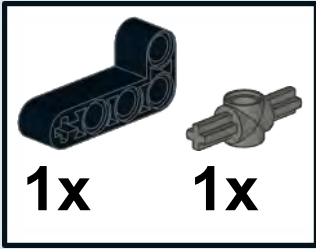
28

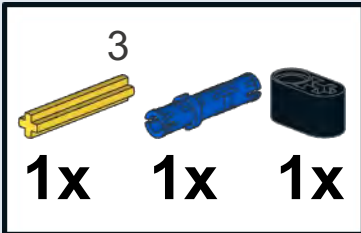


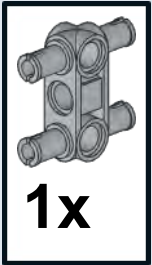


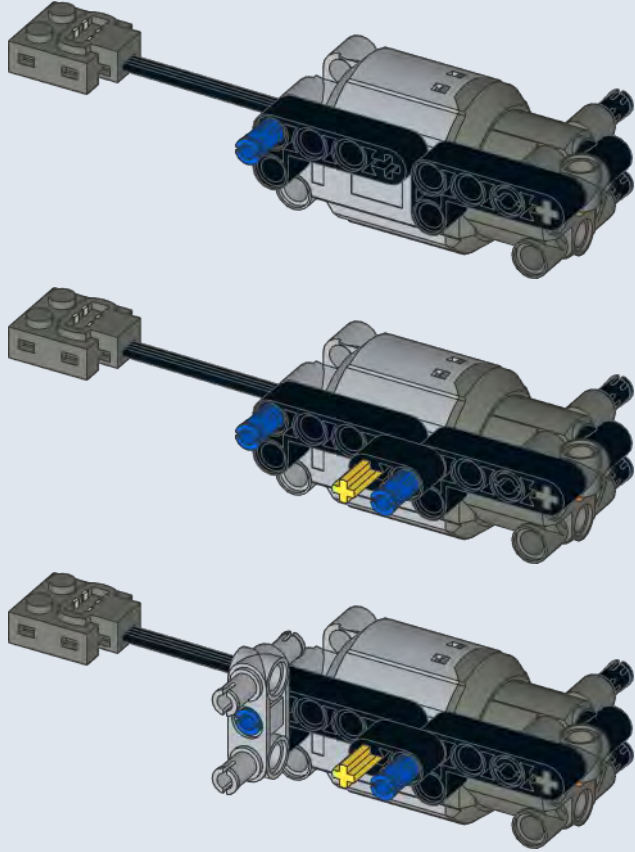




**4**  **1x 1x**

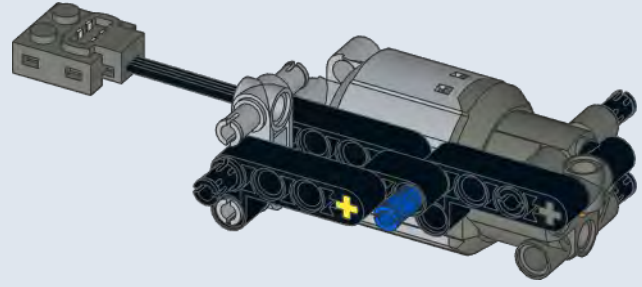
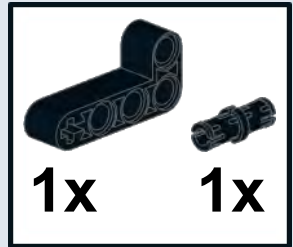
**5**  **1x 1x 1x**

**6**  **1x**

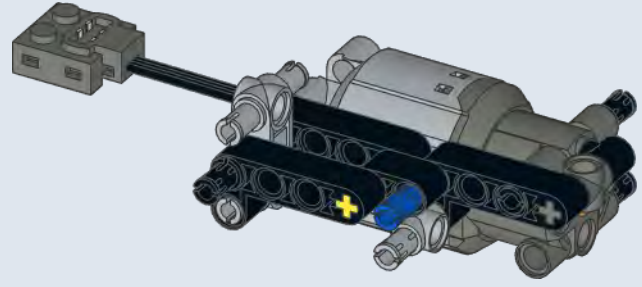




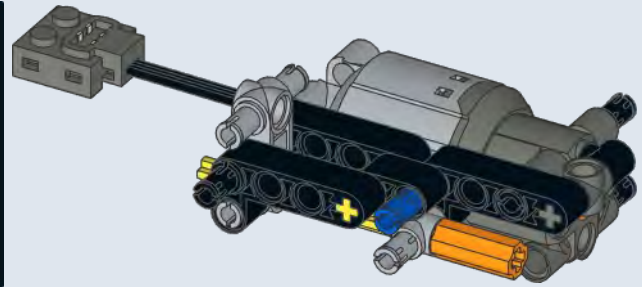
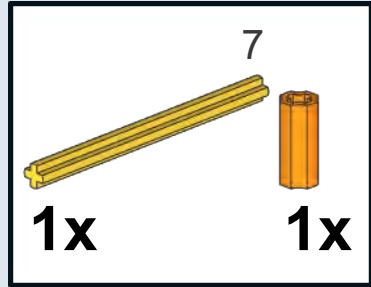
7



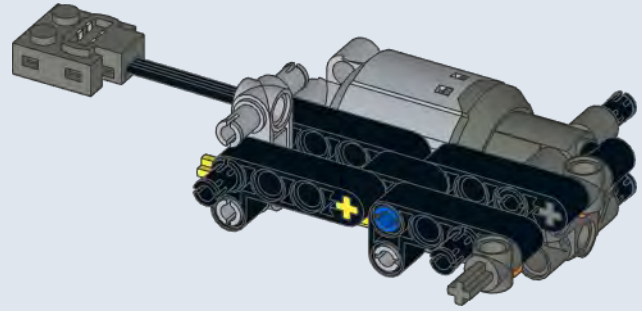
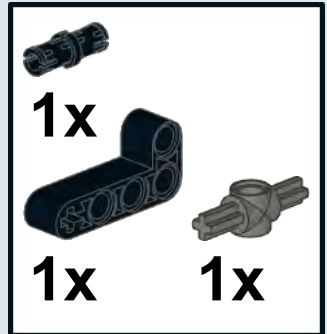
8



9

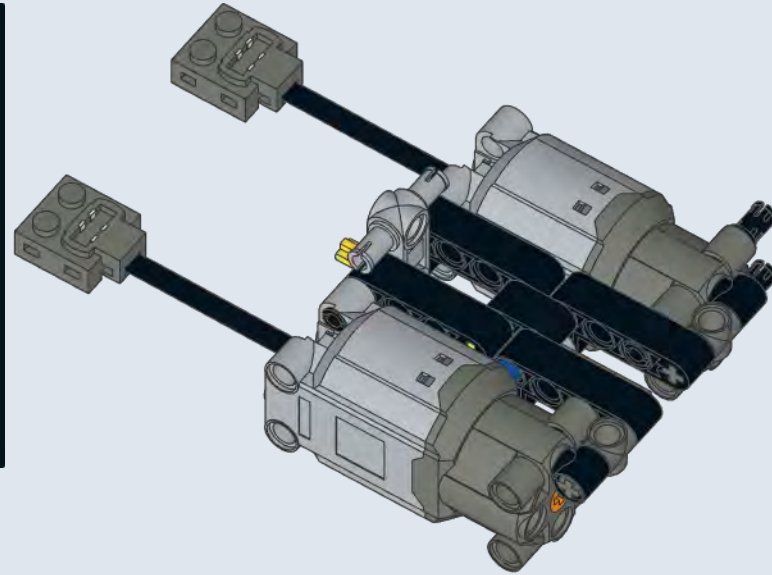
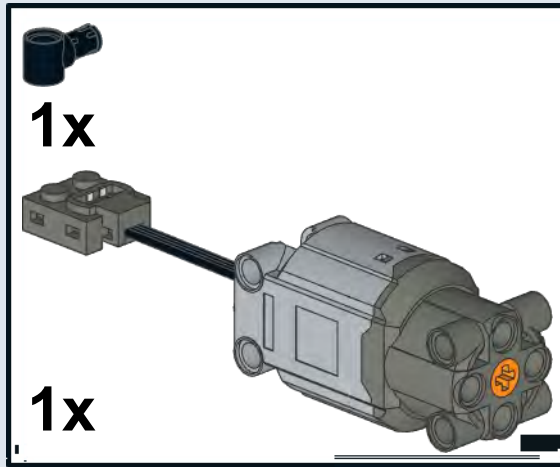


10

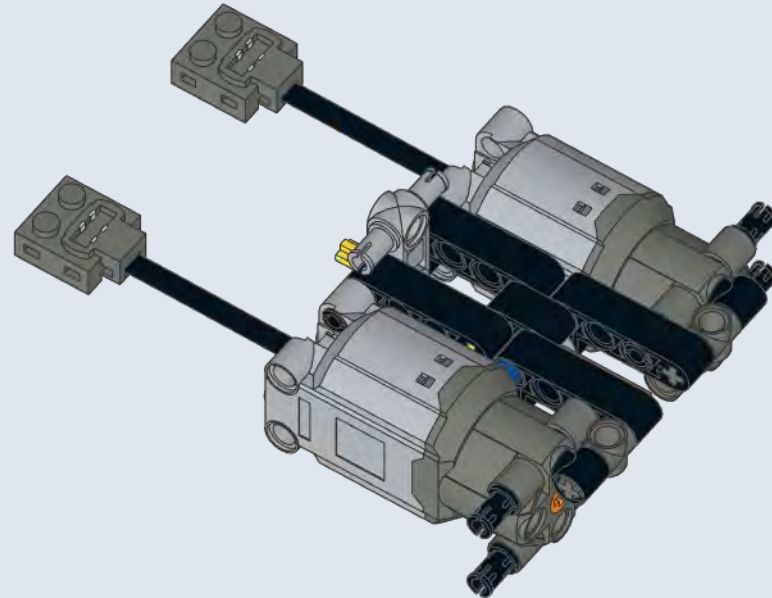




11

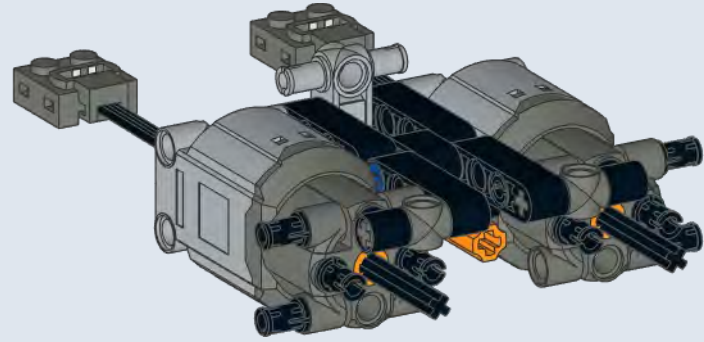
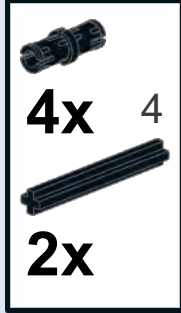


12

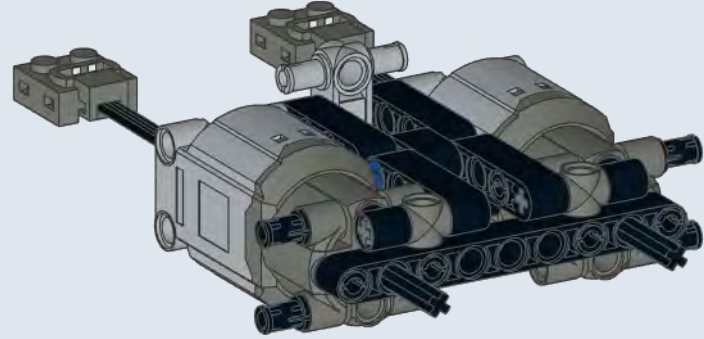
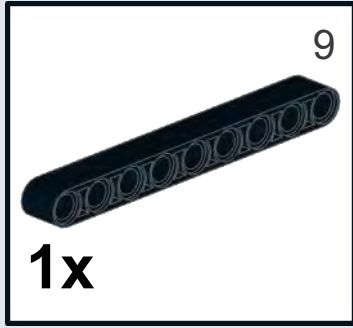




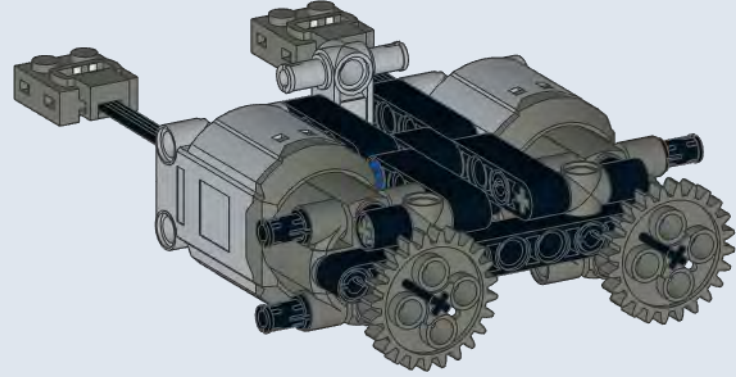
13

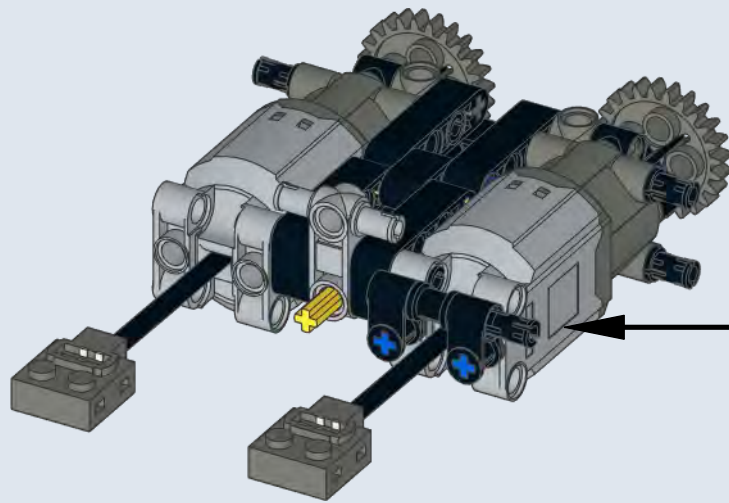









14



15

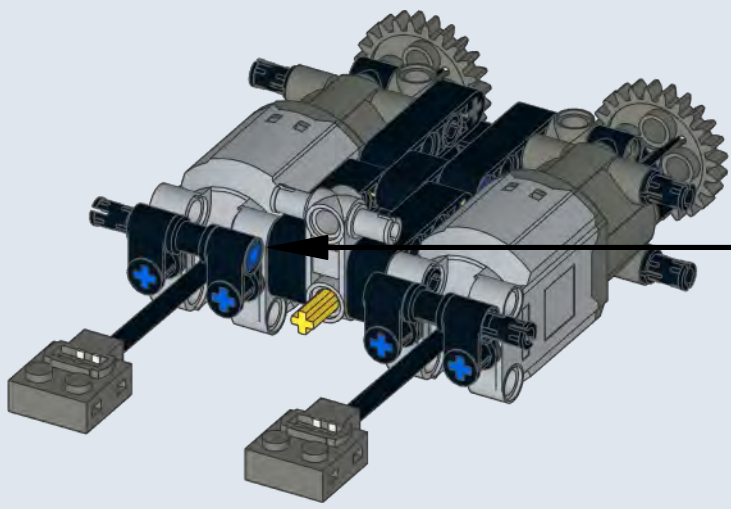



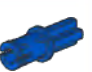


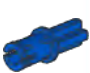




<b>1</b>	 	<b>2</b>	
	<b>1x 2x</b>		<b>1x</b>
			 
			<b>1x 1x</b>
			



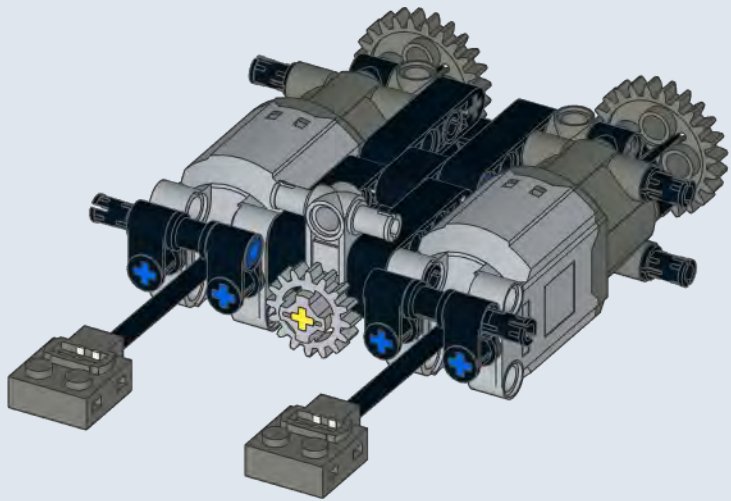
17

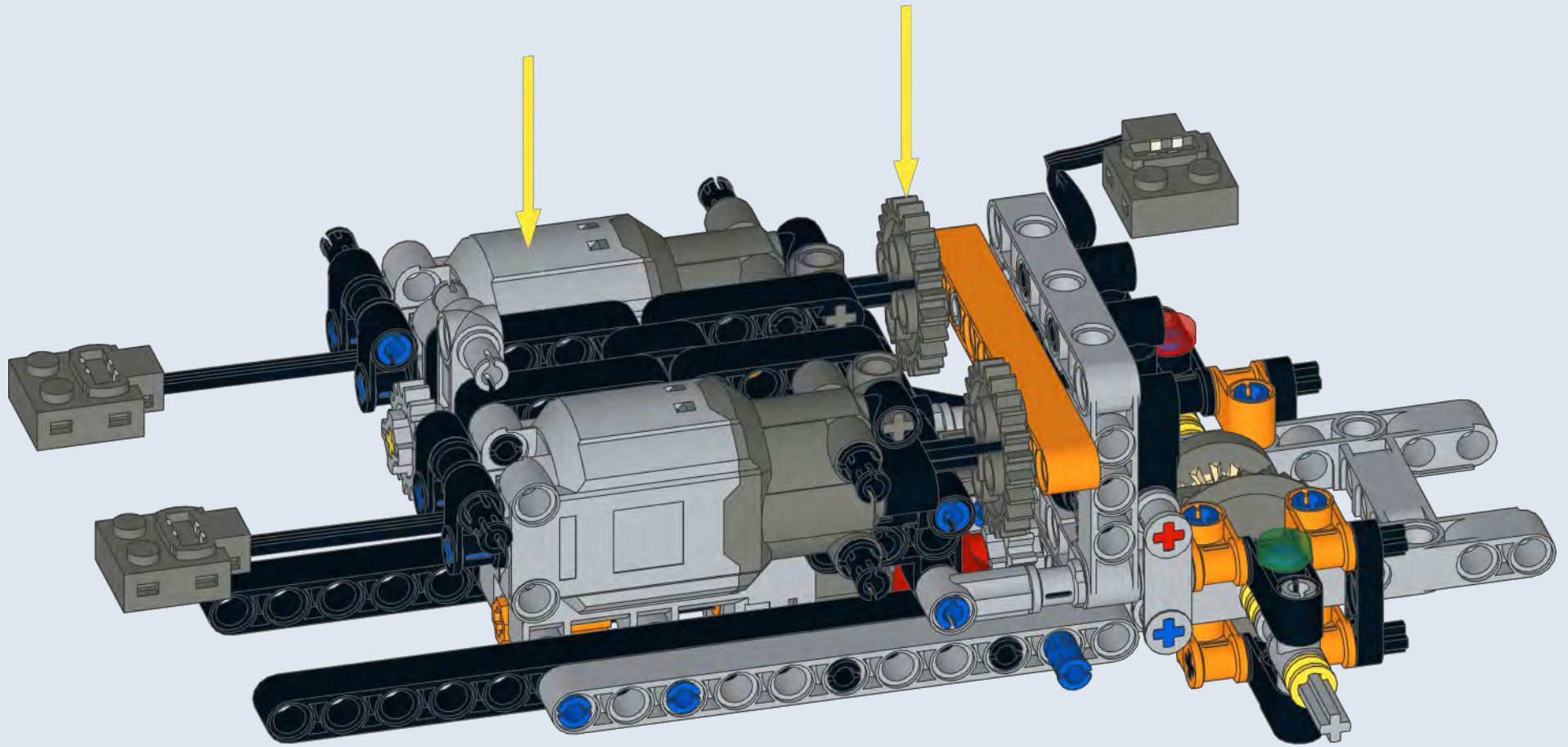


1	 	2	
	1x 2x		1x
			 
			1x 1x
			

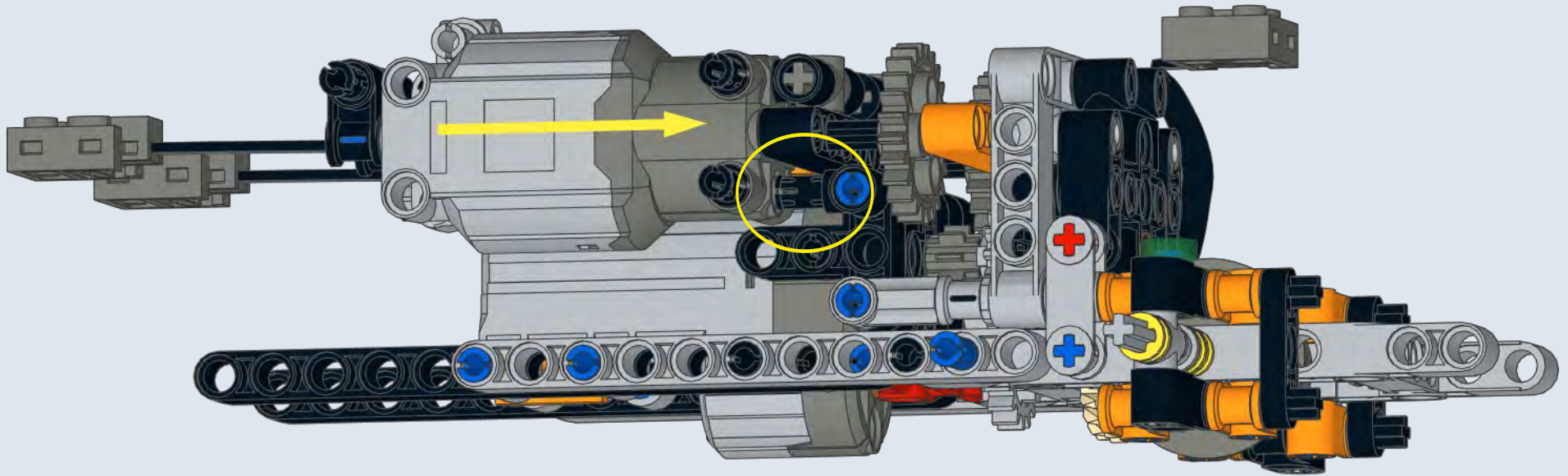
18


1x



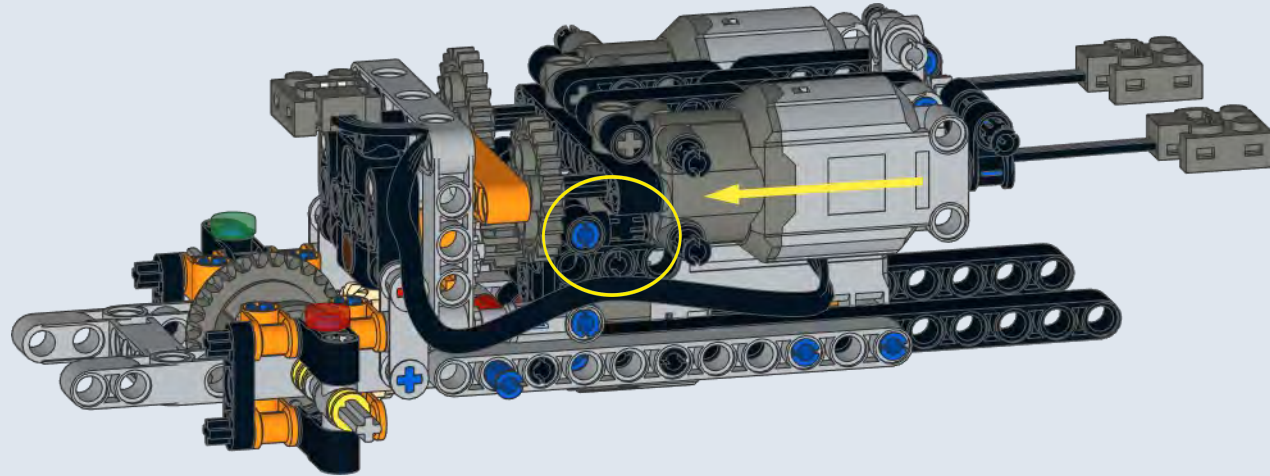




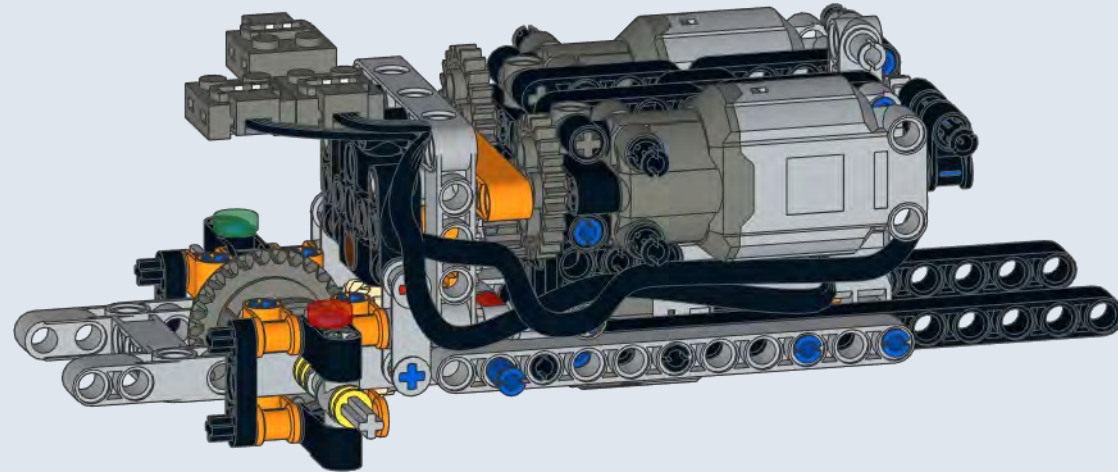




31

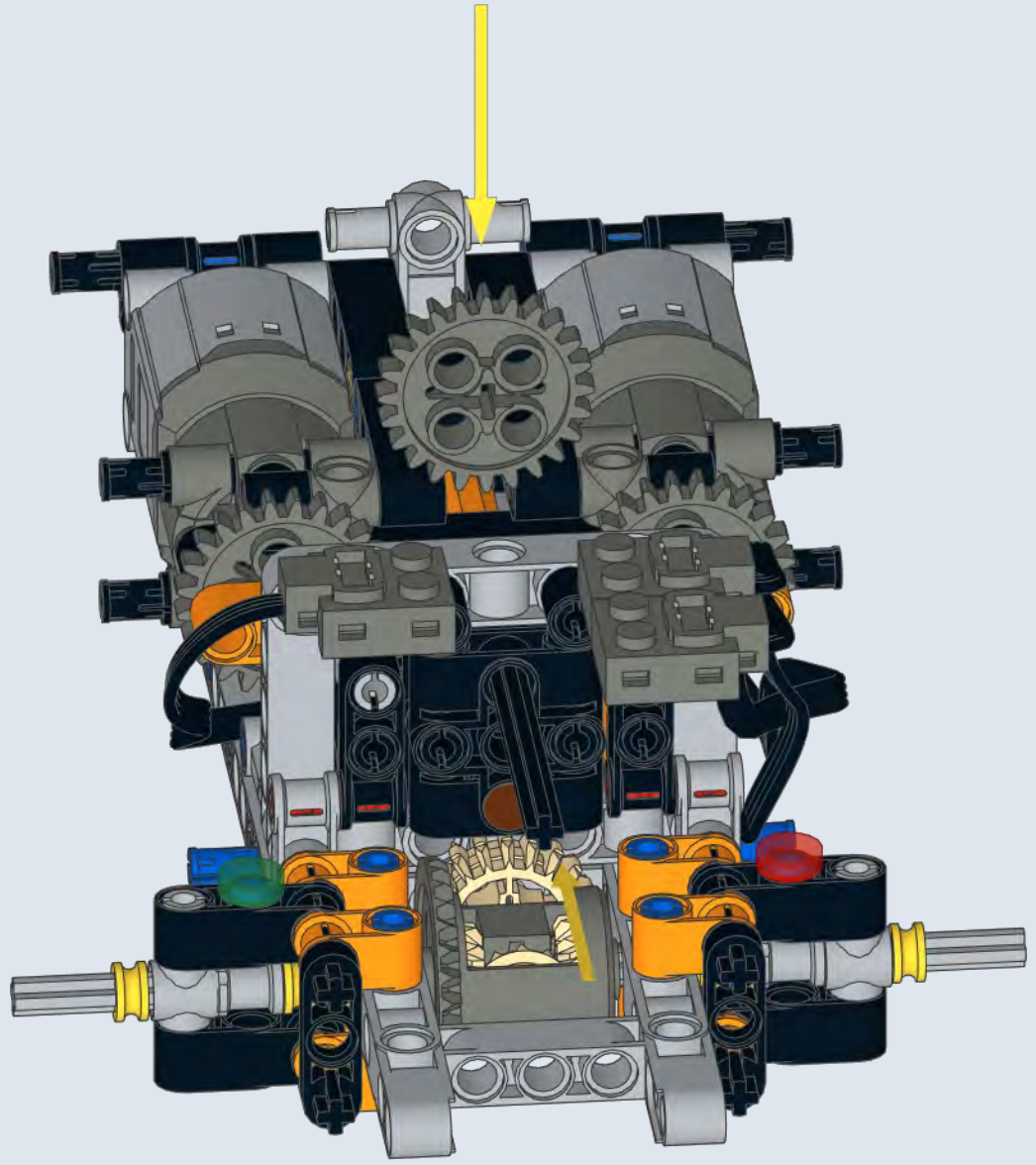
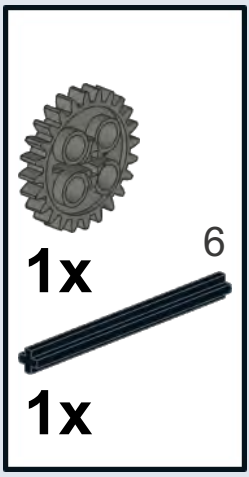


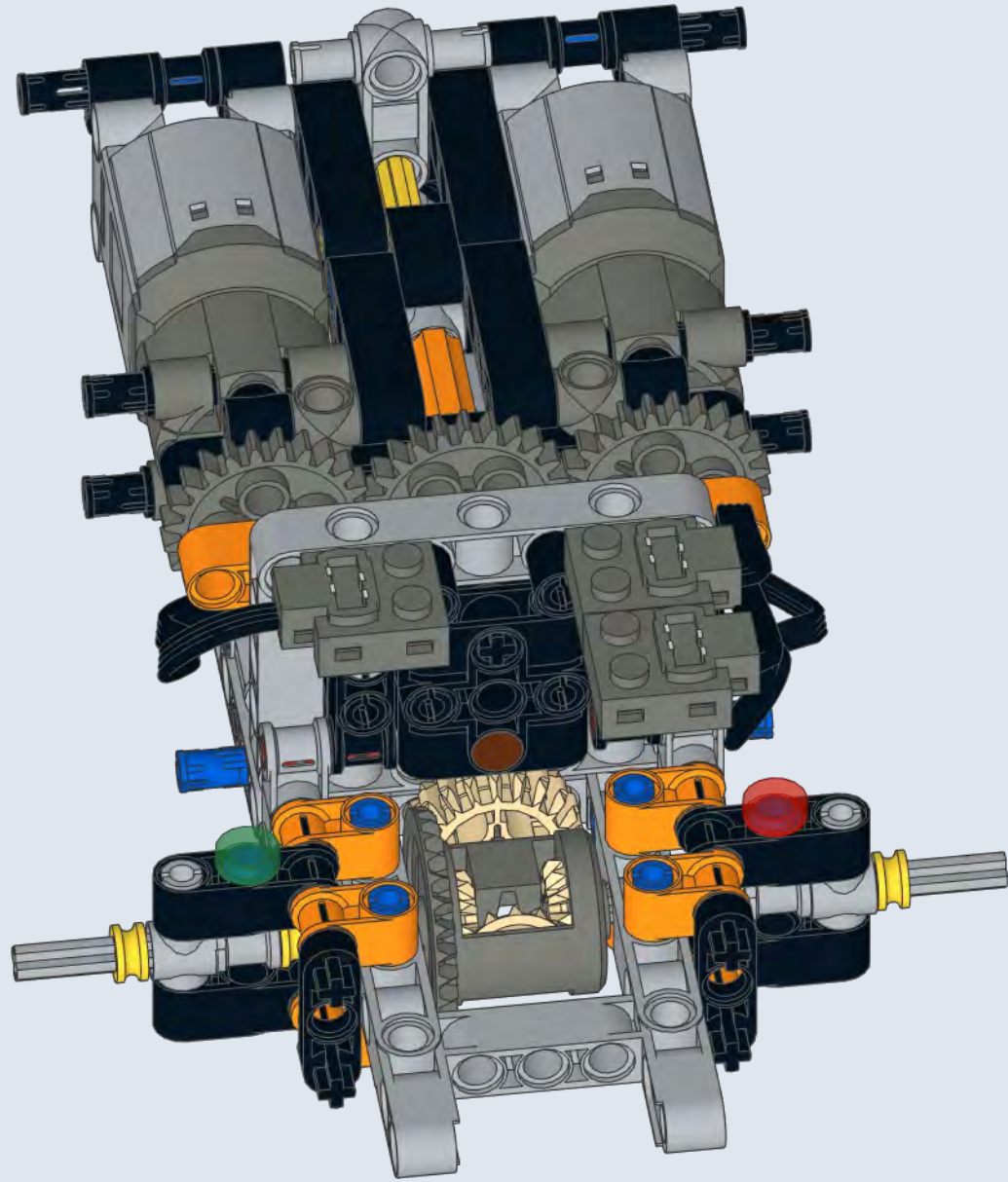
32

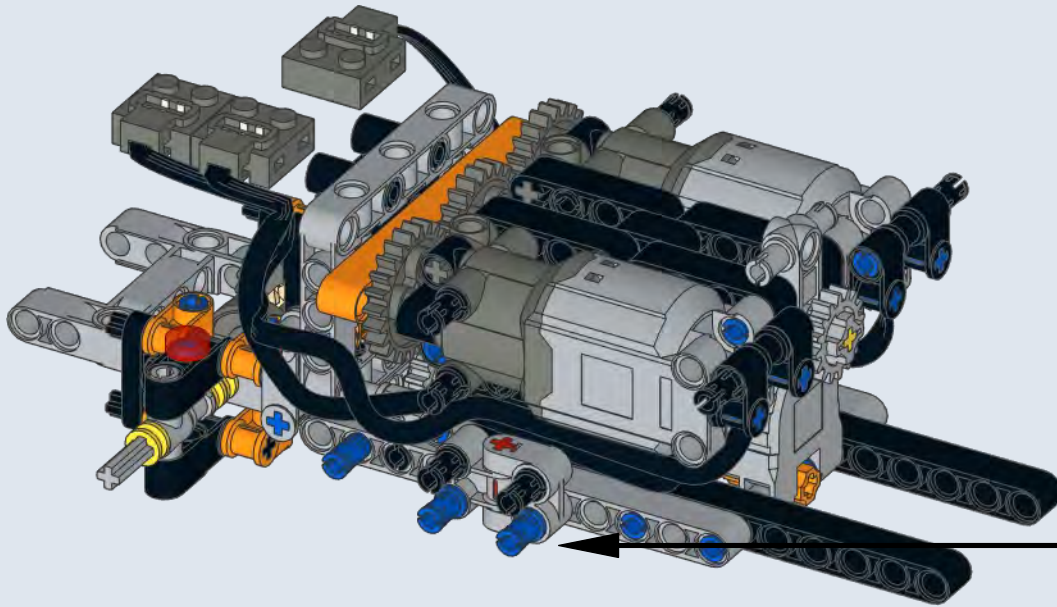




33



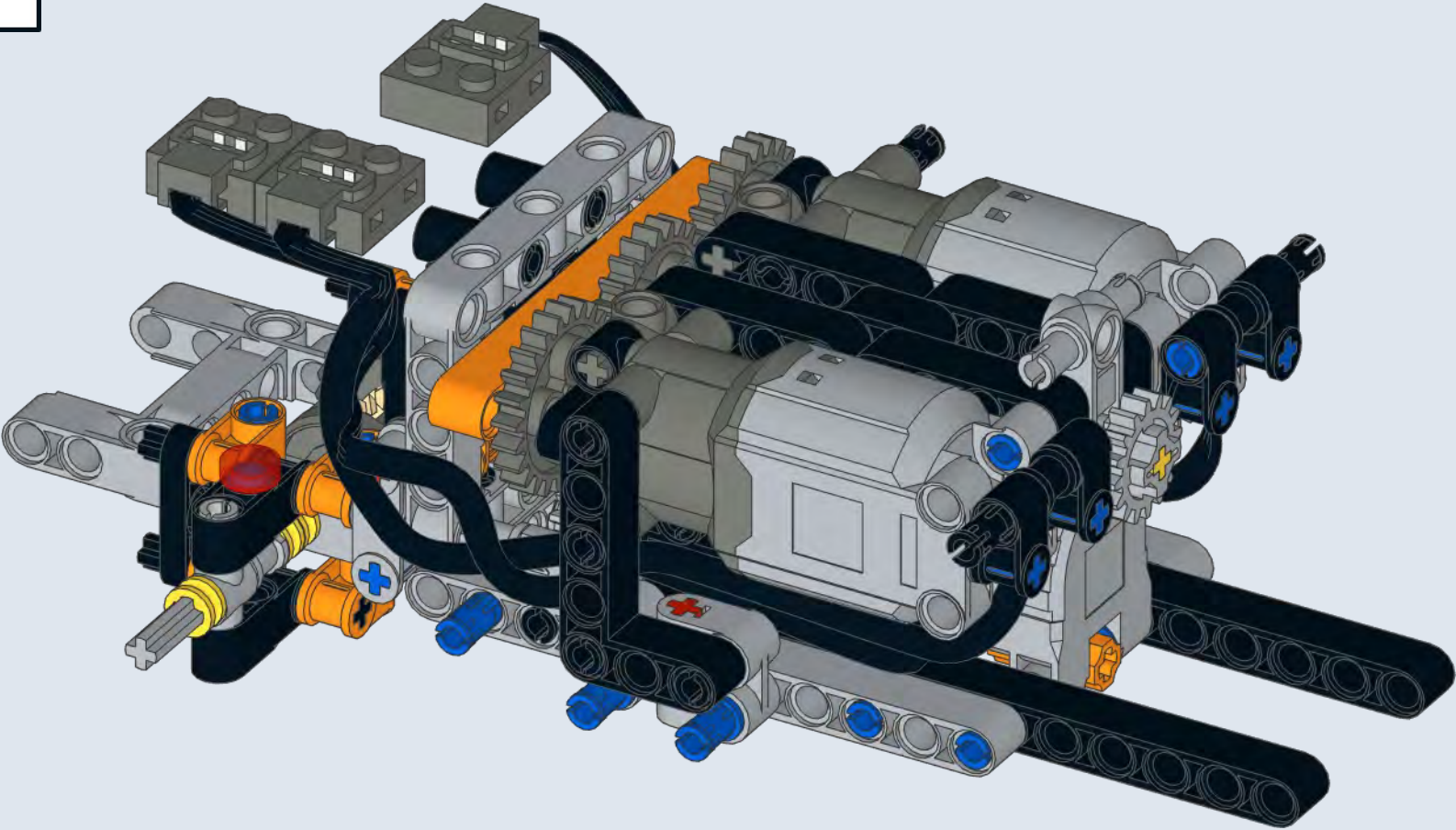
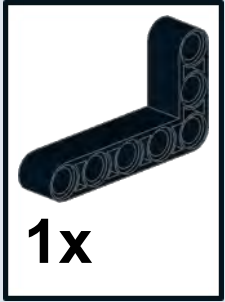


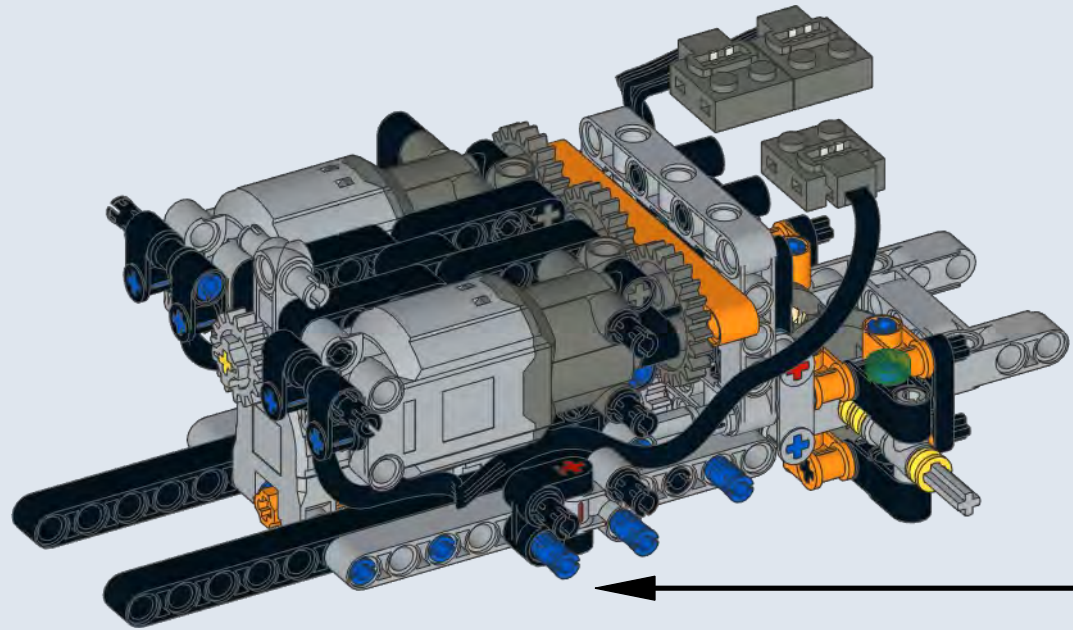





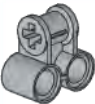





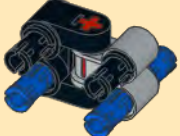
<b>1</b>	 <b>1x</b>  <b>1x</b> <b>1x</b> <b>1x</b>	<b>2</b>	 <b>1x</b>  <b>1x</b> <b>1x</b> <b>1x</b>	<b>3</b>	 <b>1x</b>



36

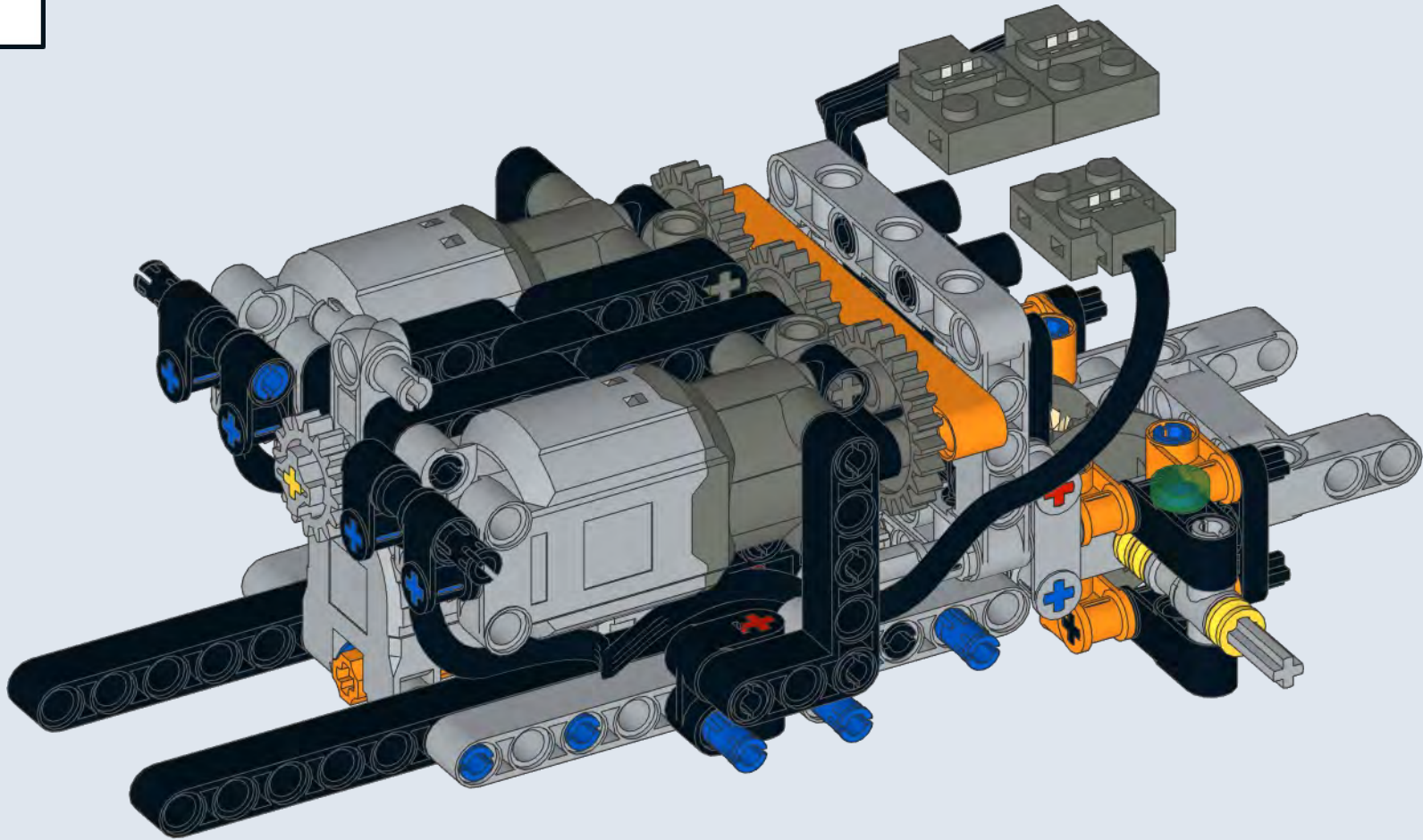
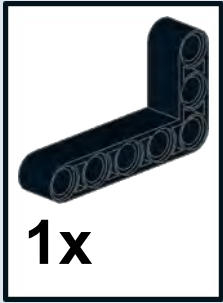




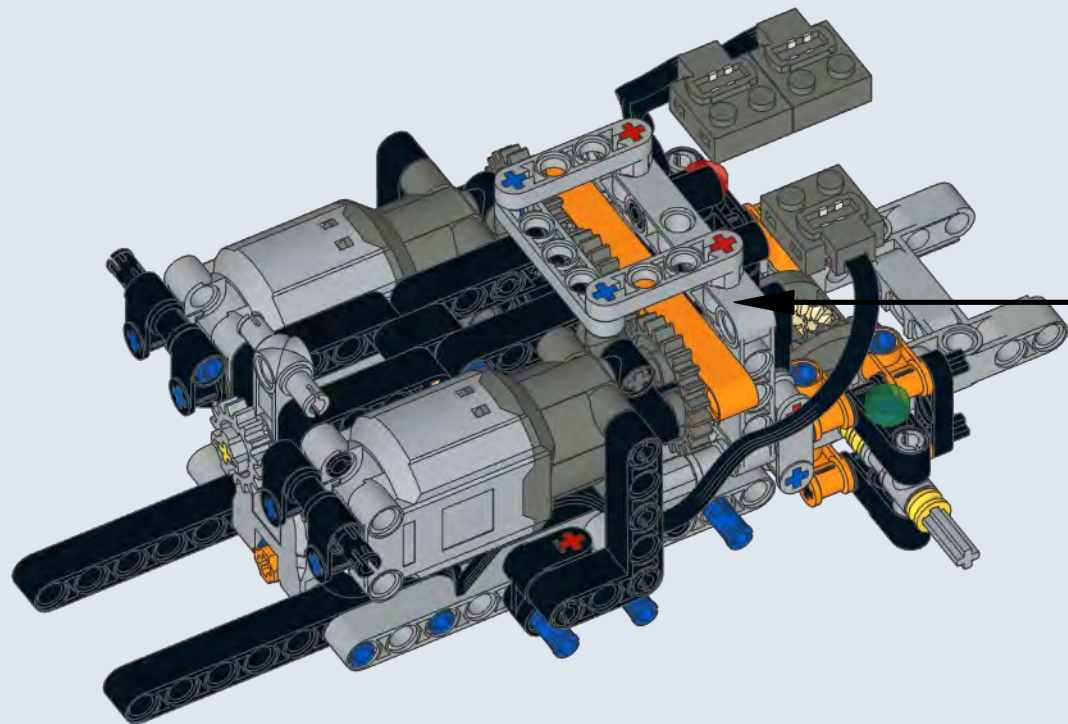
<p><b>1</b></p>  <p><b>1x</b></p>  <p><b>1x</b></p>  <p><b>1x</b></p>	<p><b>2</b></p>  <p><b>1x</b></p>  <p><b>1x</b></p>  <p><b>1x</b></p>	<p><b>3</b></p>  <p><b>1x</b></p>
		

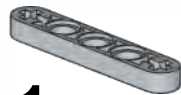


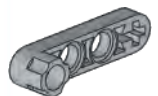


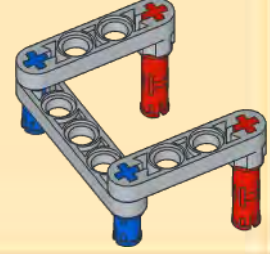
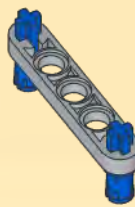
38







<b>1</b>	 <b>1x</b>	 <b>2x</b>
<b>2</b>	 <b>2x</b>	 <b>2x</b>





**1**

1x 1x 1x 7 2x4

**2**

4x

**3**

1x 1x

**4**

1x

**5**

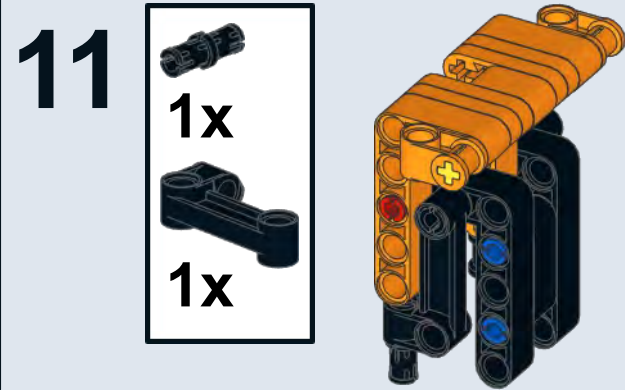
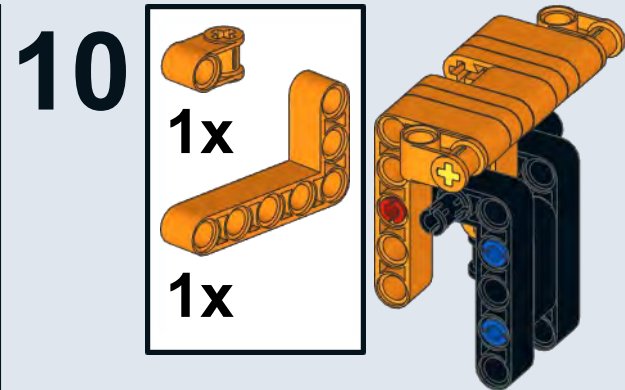
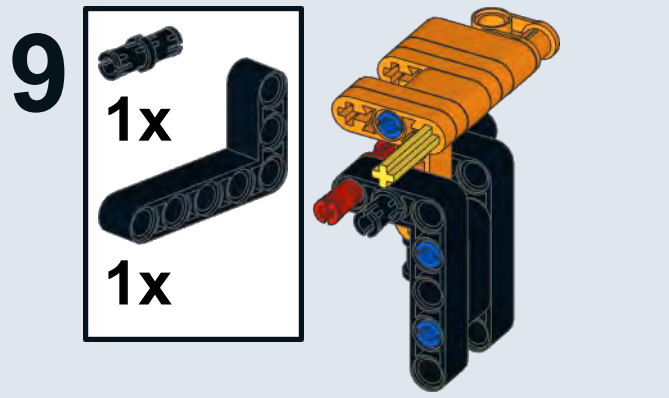
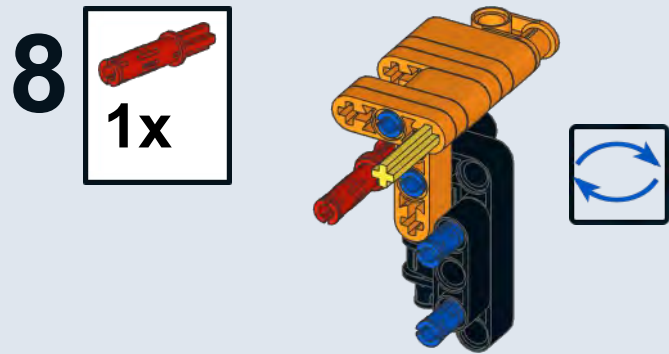
1x 1x

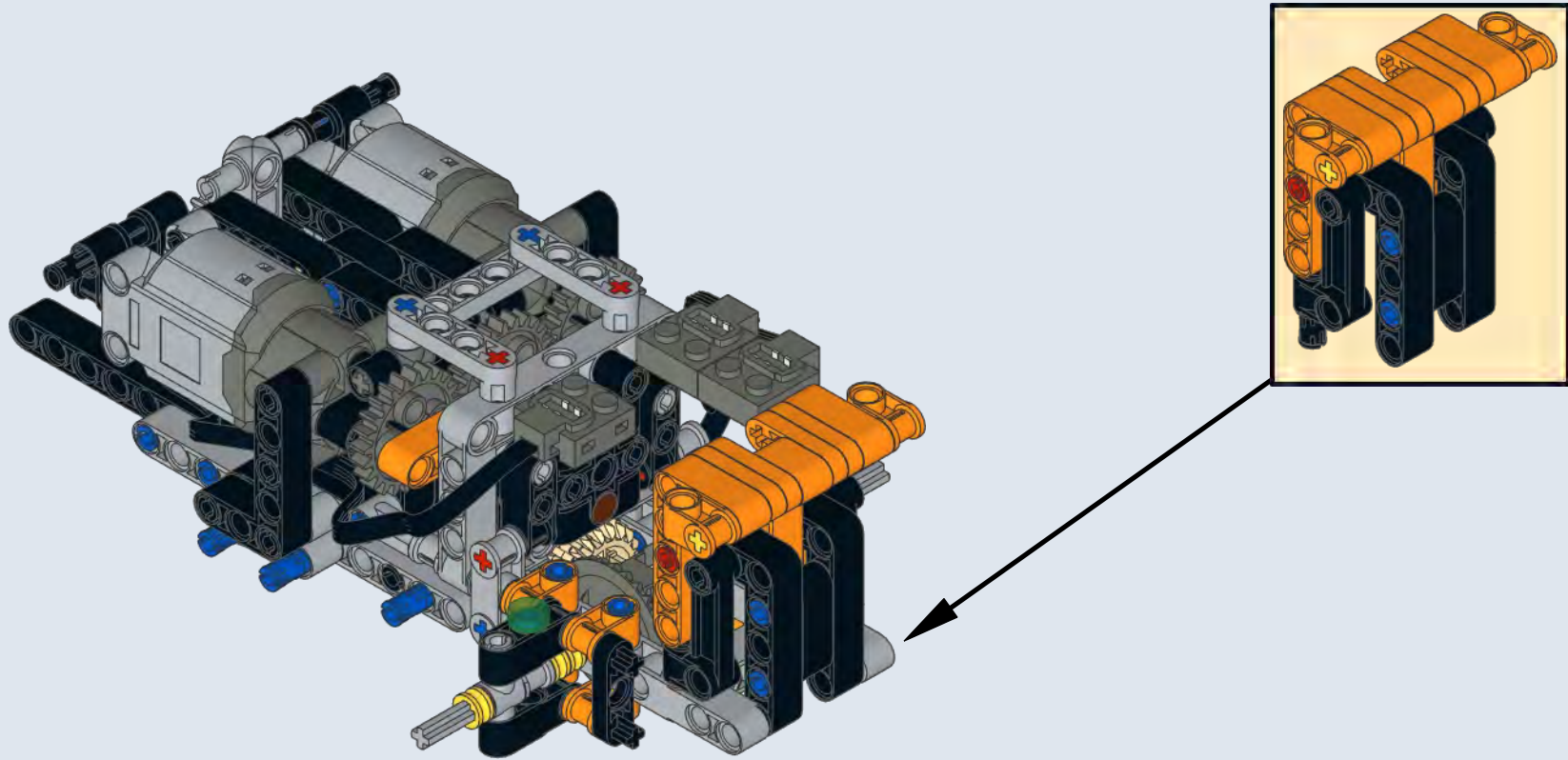
**6**

1x 1x

**7**

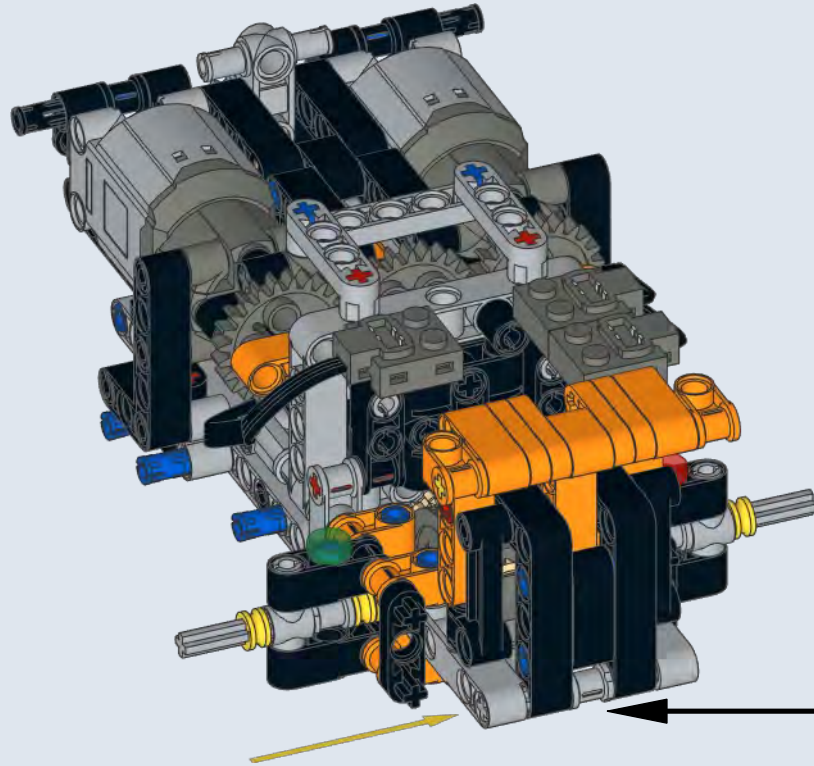
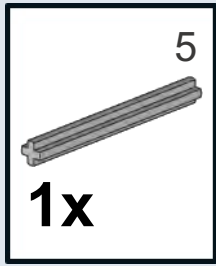
2x 1x







41





**1**

1x 1x 1x 8 1x3

**1x 1x 1x**

**2**

1x 1x

**3**


1x 1x

**4**

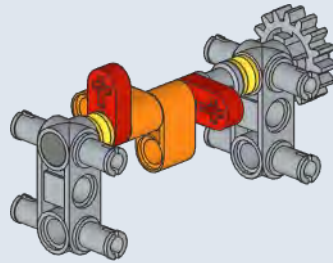
1x 1x 1x



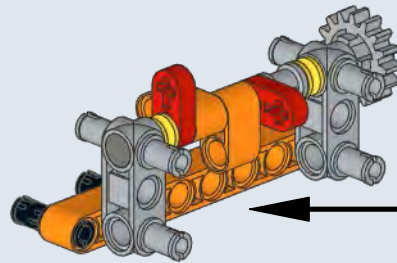
**5**



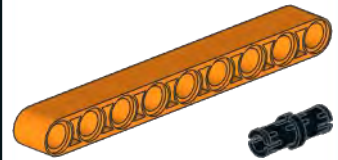
**1x**



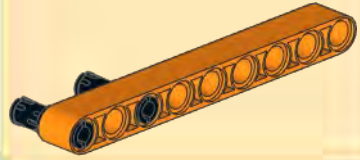
**6**



**9**

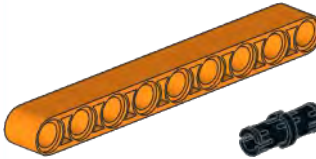


**1x**      **2x**

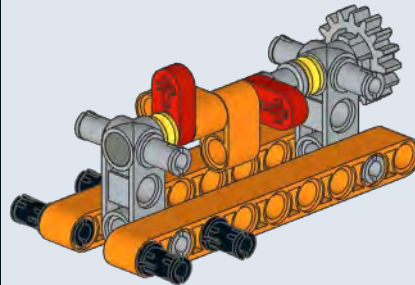


**7**

**9**

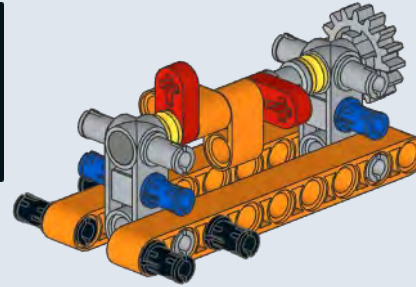


**1x**      **2x**

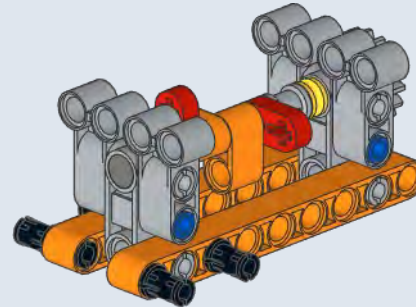




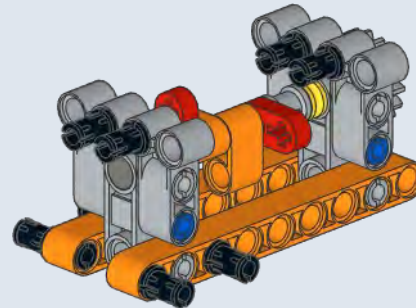
8



9



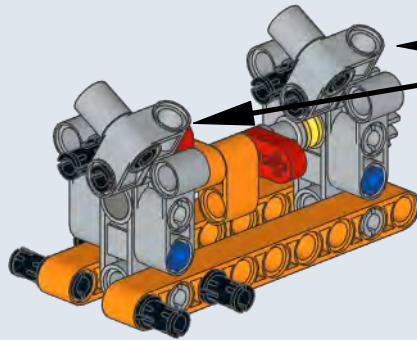
10












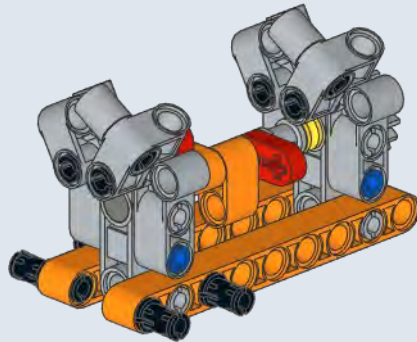
11

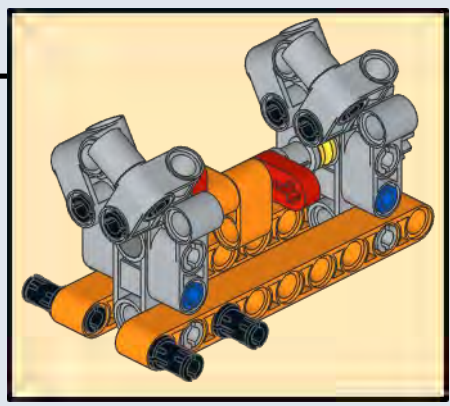
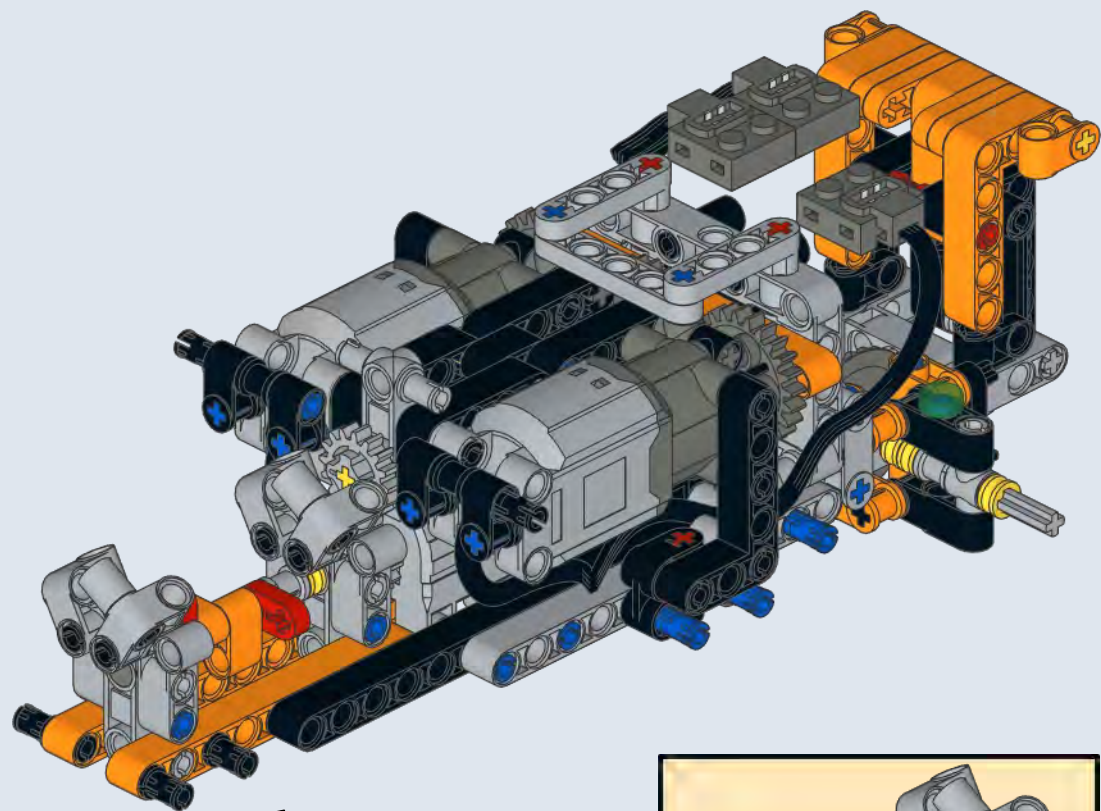


1			2	
	1x	1x		1x
				x2

12


2x

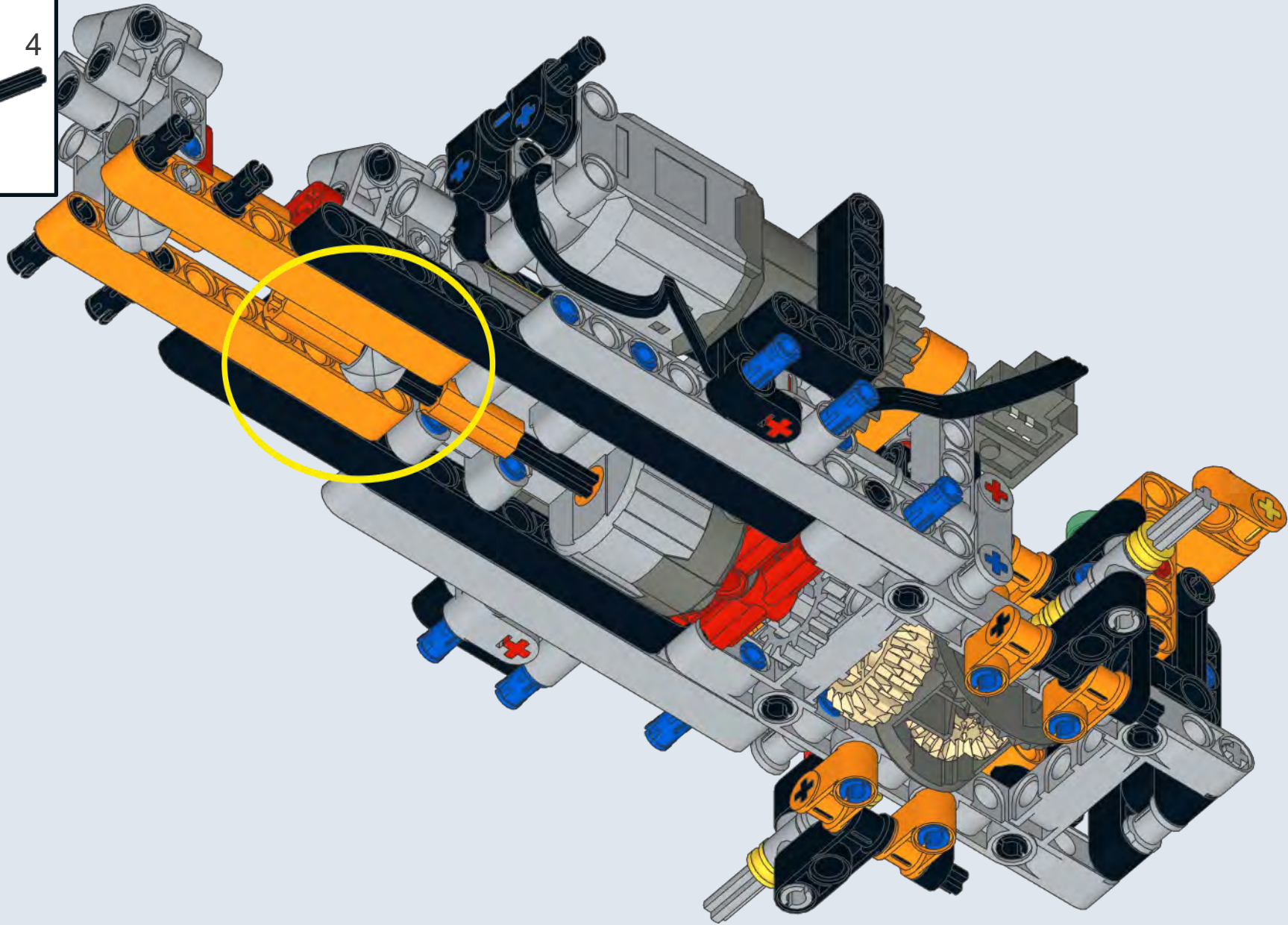






43

1x  4  
1x 

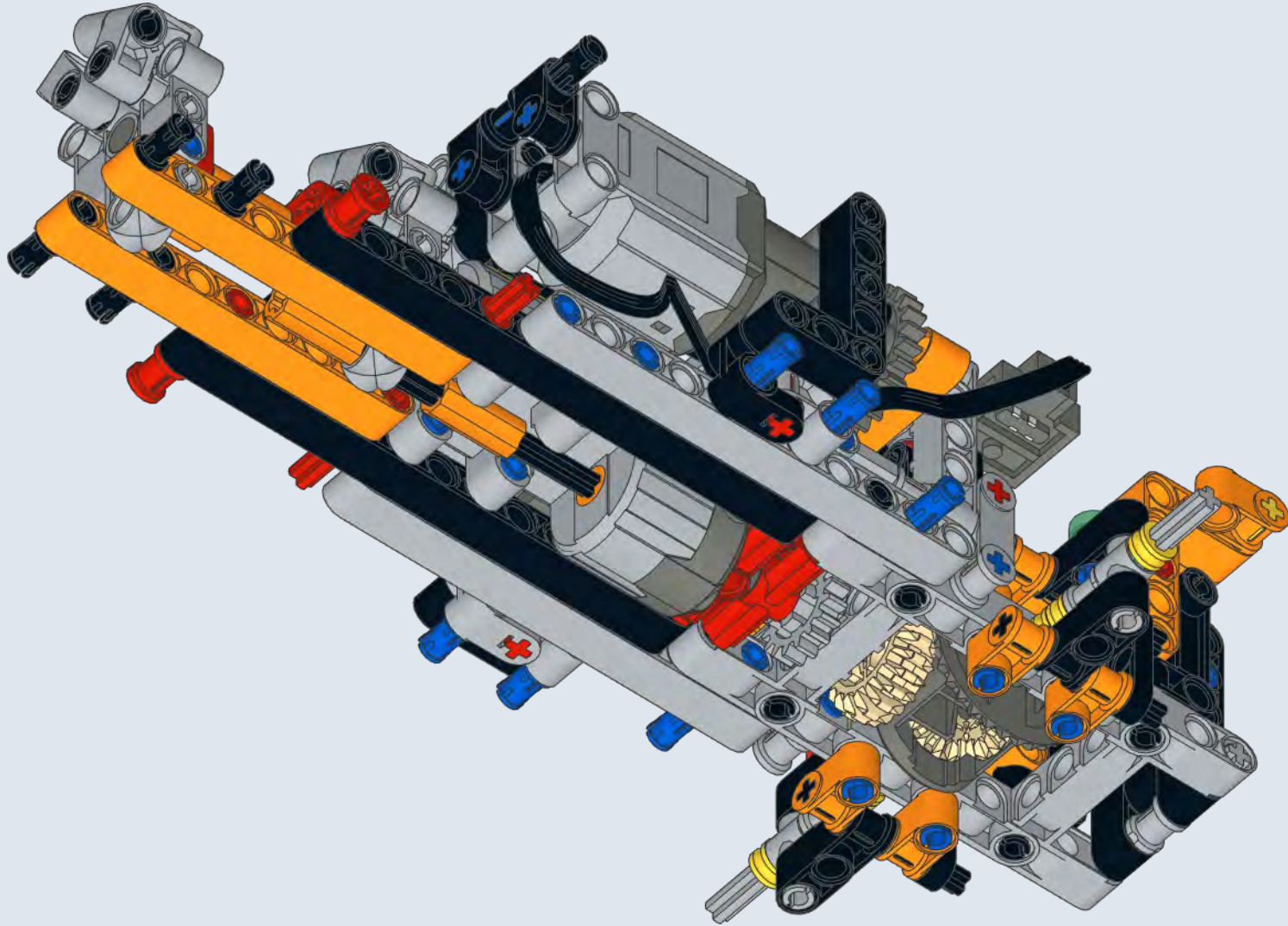




44


2x

2x

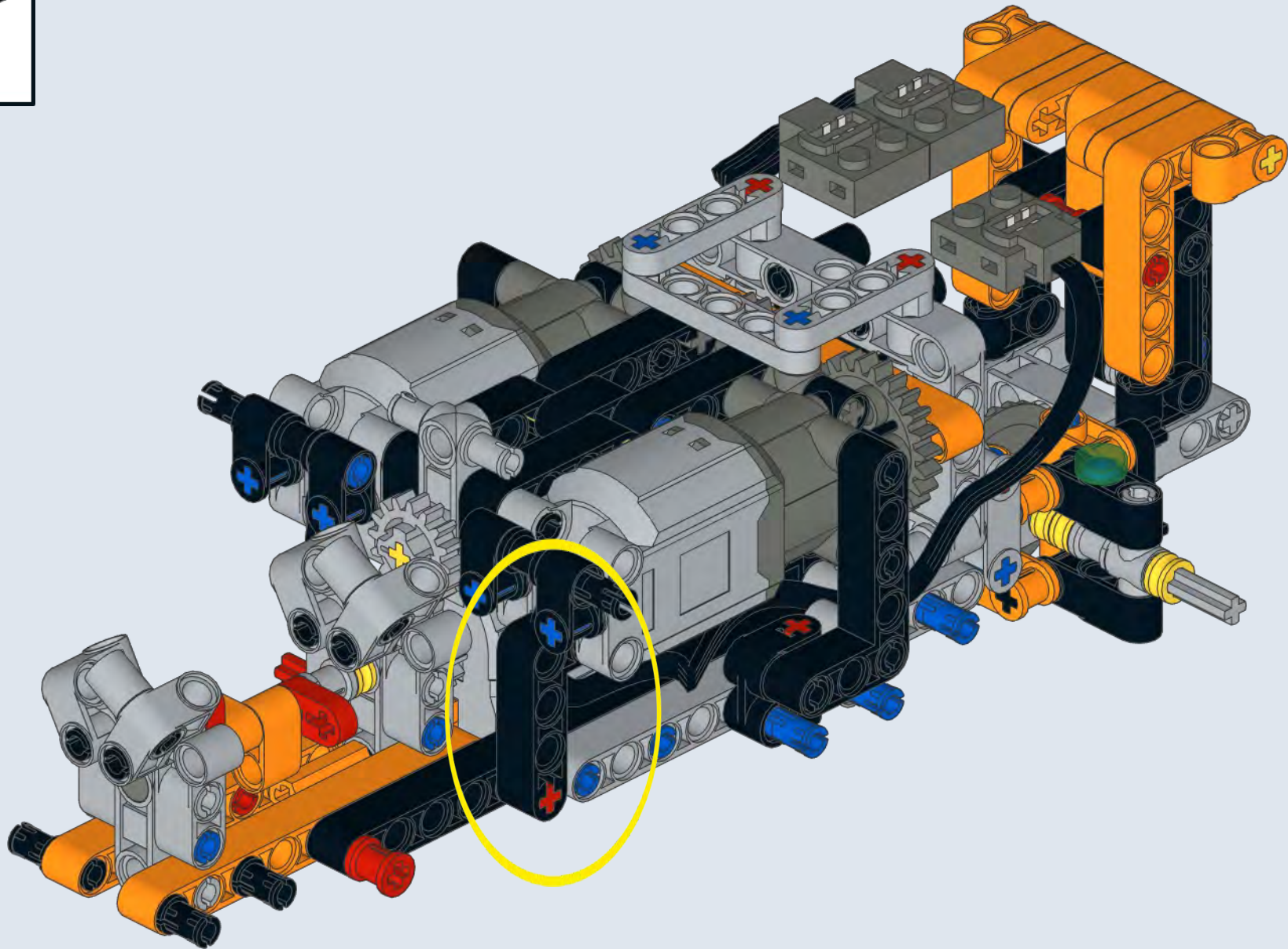




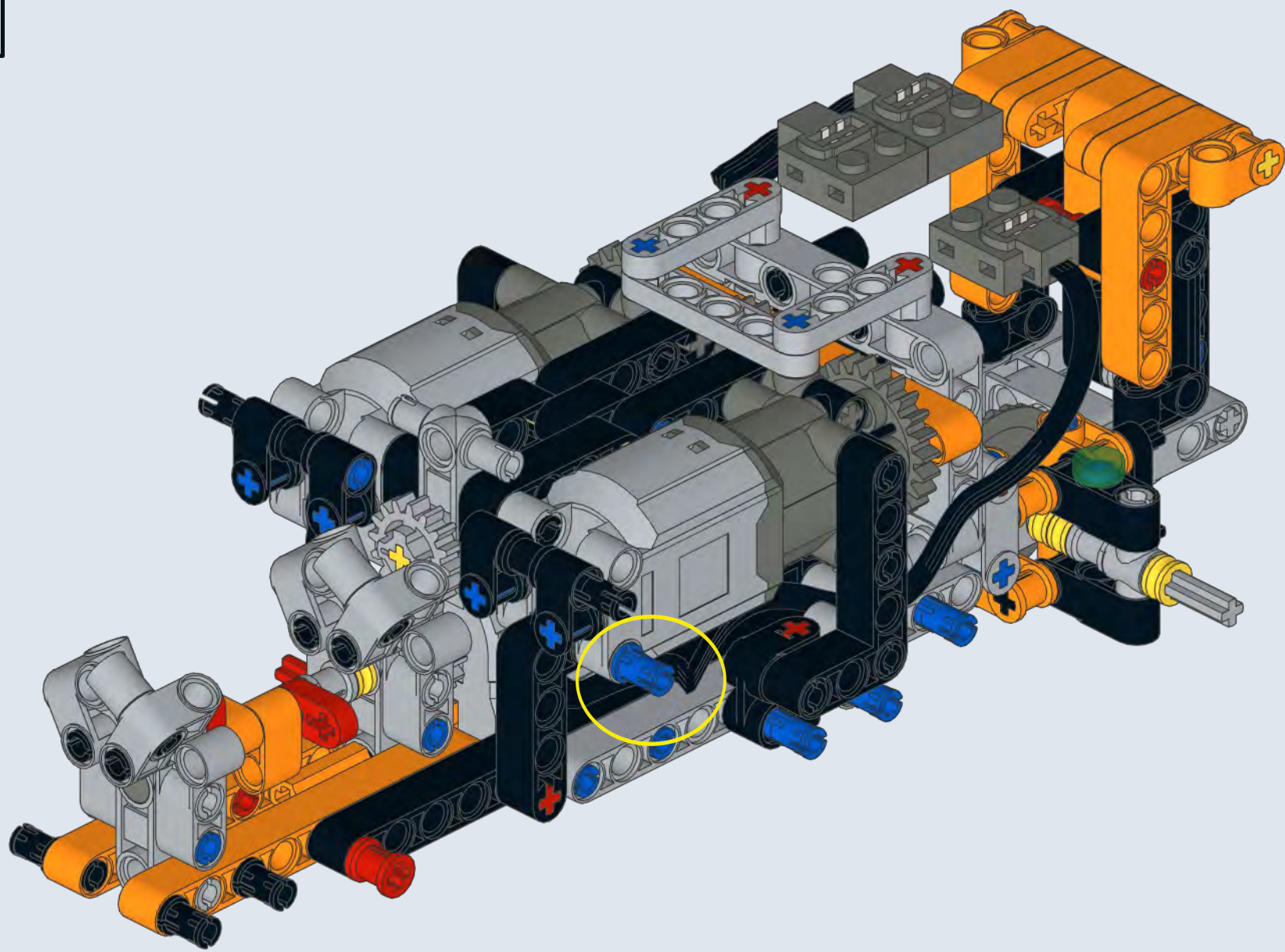
45

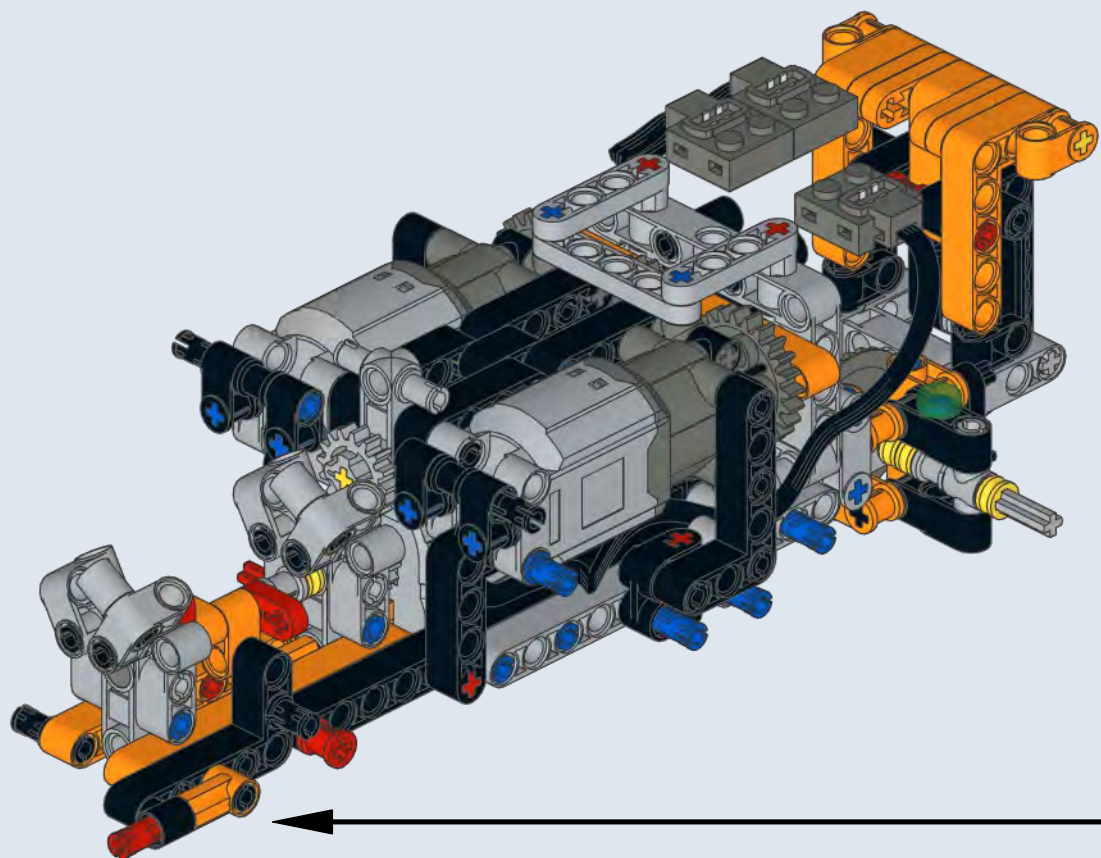







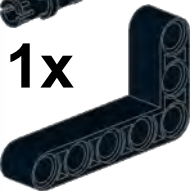


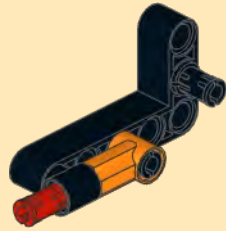
1x



46

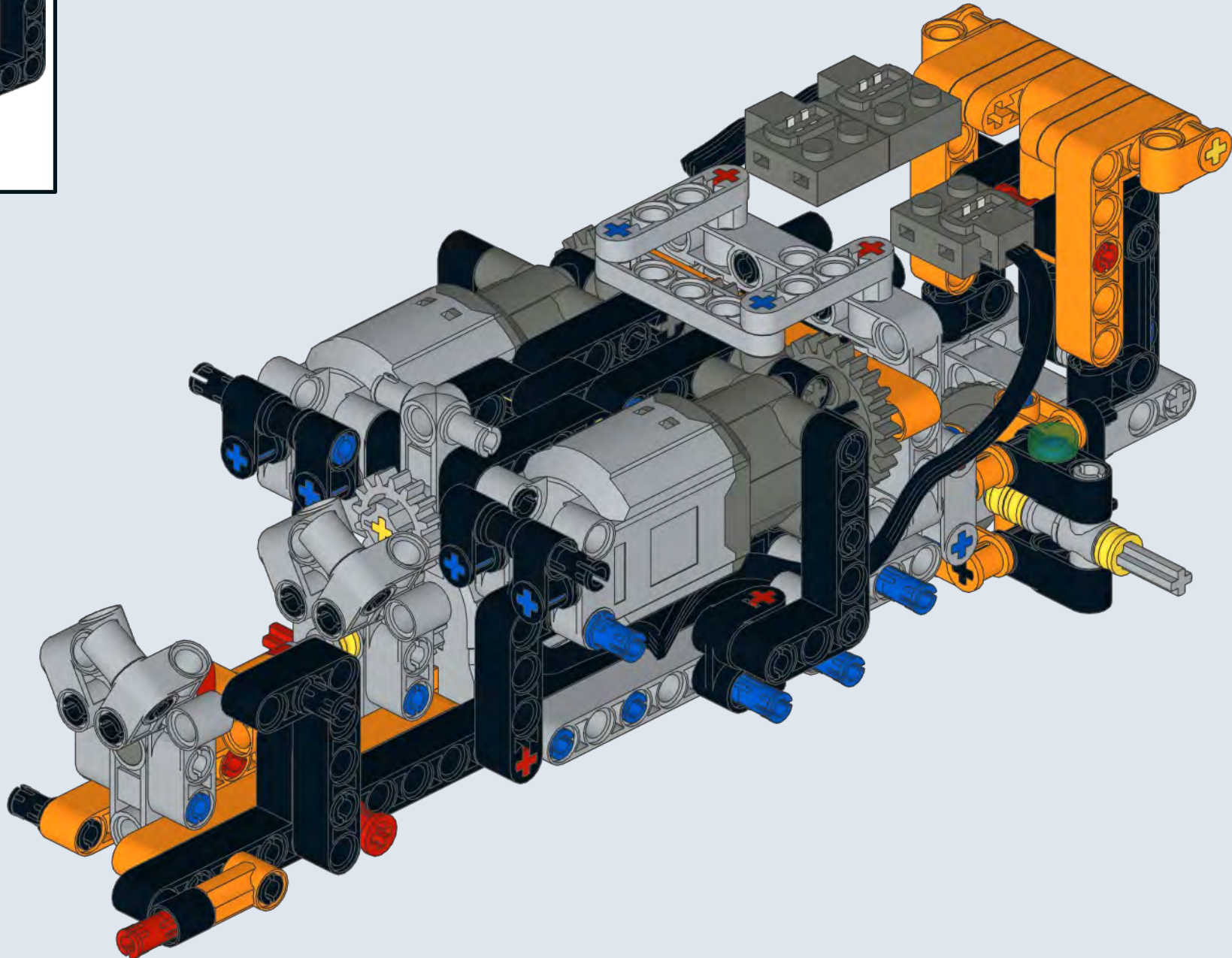
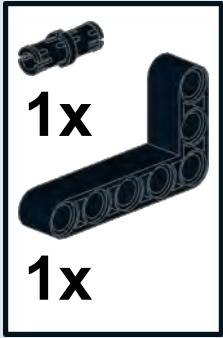




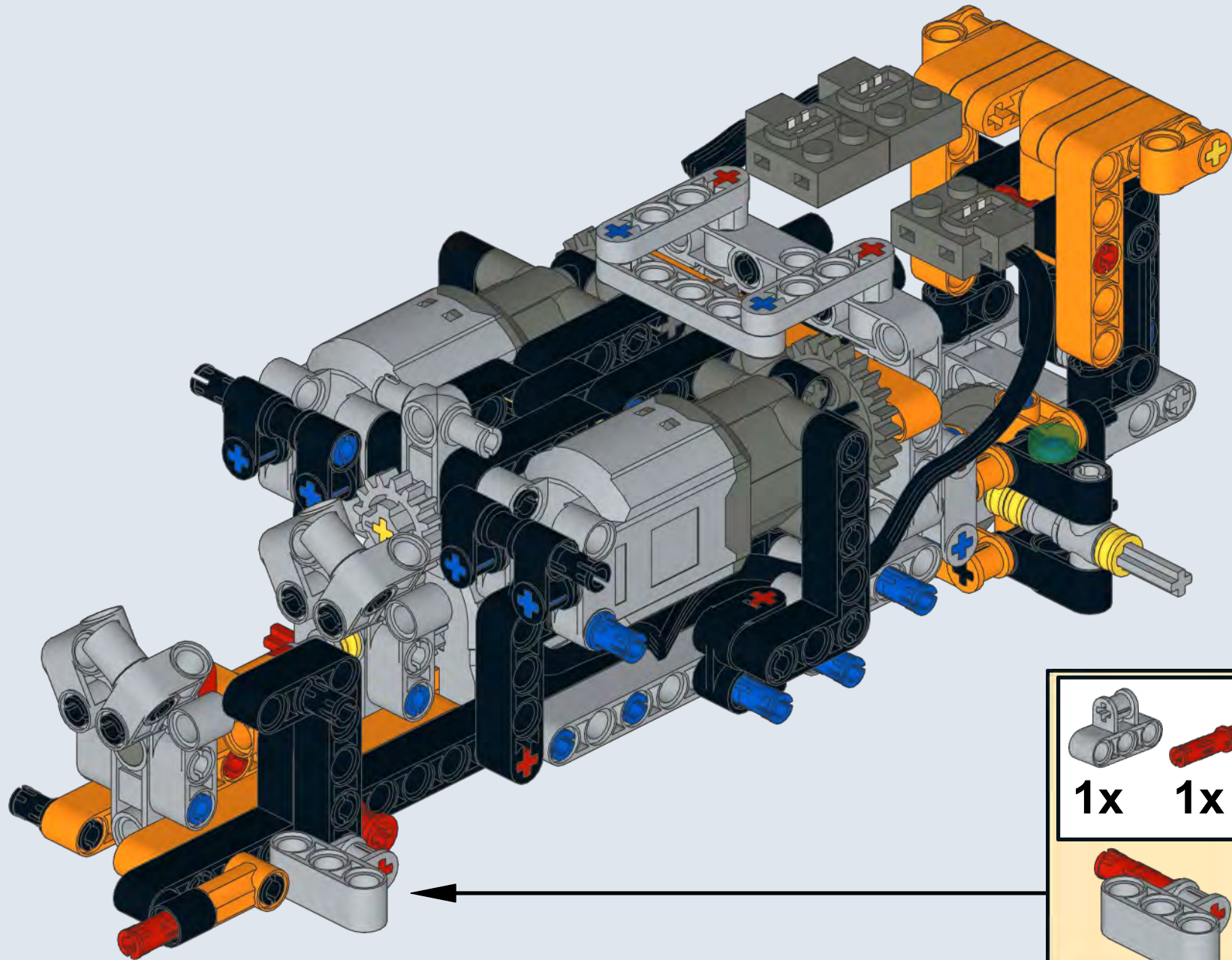
<p><b>1</b></p>  <p><b>1x</b></p>  <p><b>1x</b></p>	<p><b>2</b></p>   <p><b>1x 1x</b></p>	<p><b>3</b></p>  <p><b>1x</b></p>  <p><b>1x</b></p>
		

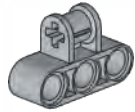

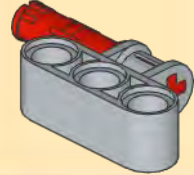


48



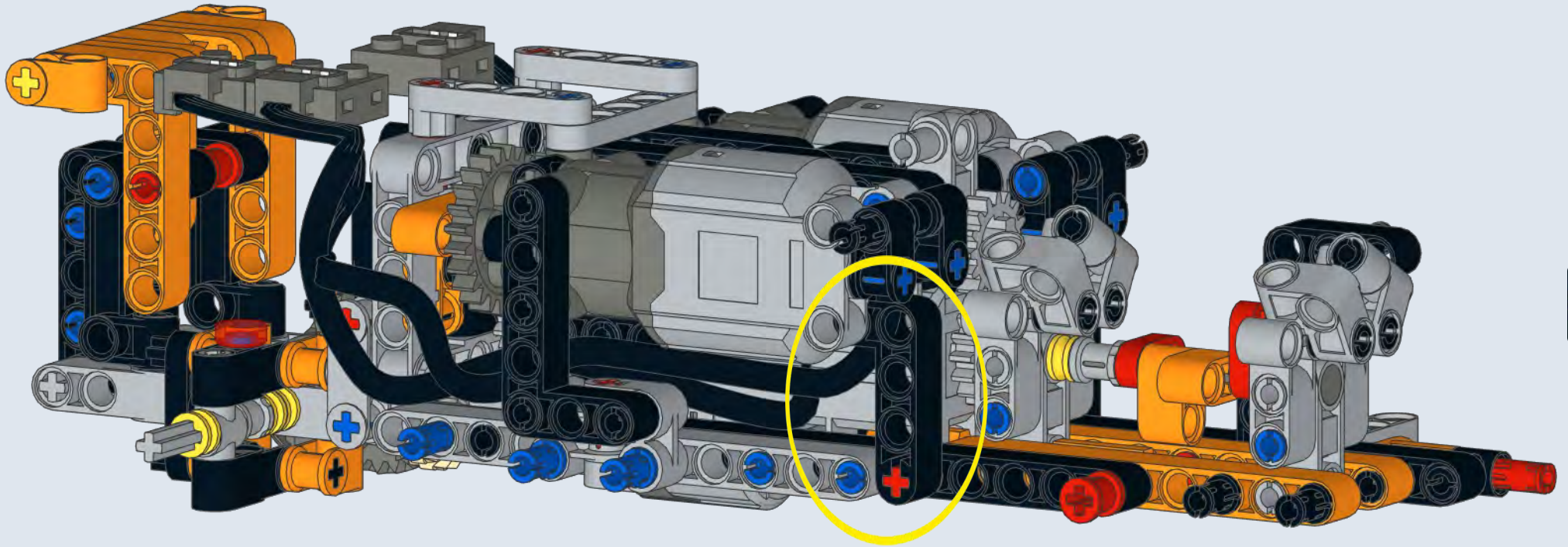




	
<b>1x</b>	<b>1x</b>
	

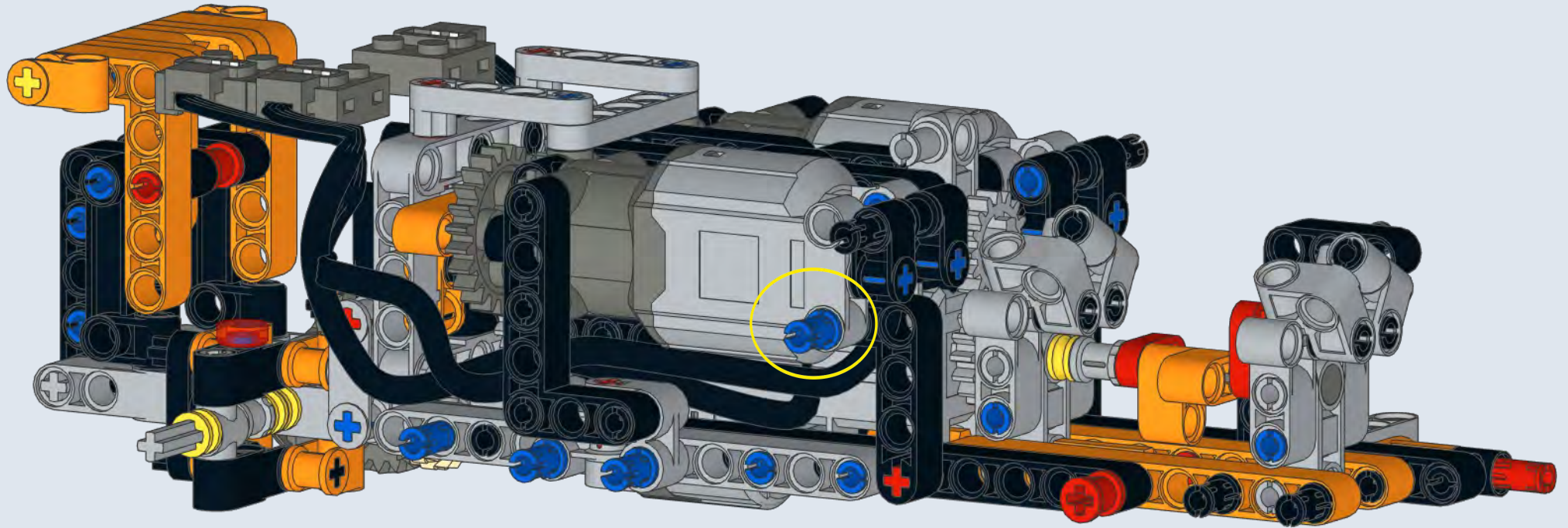


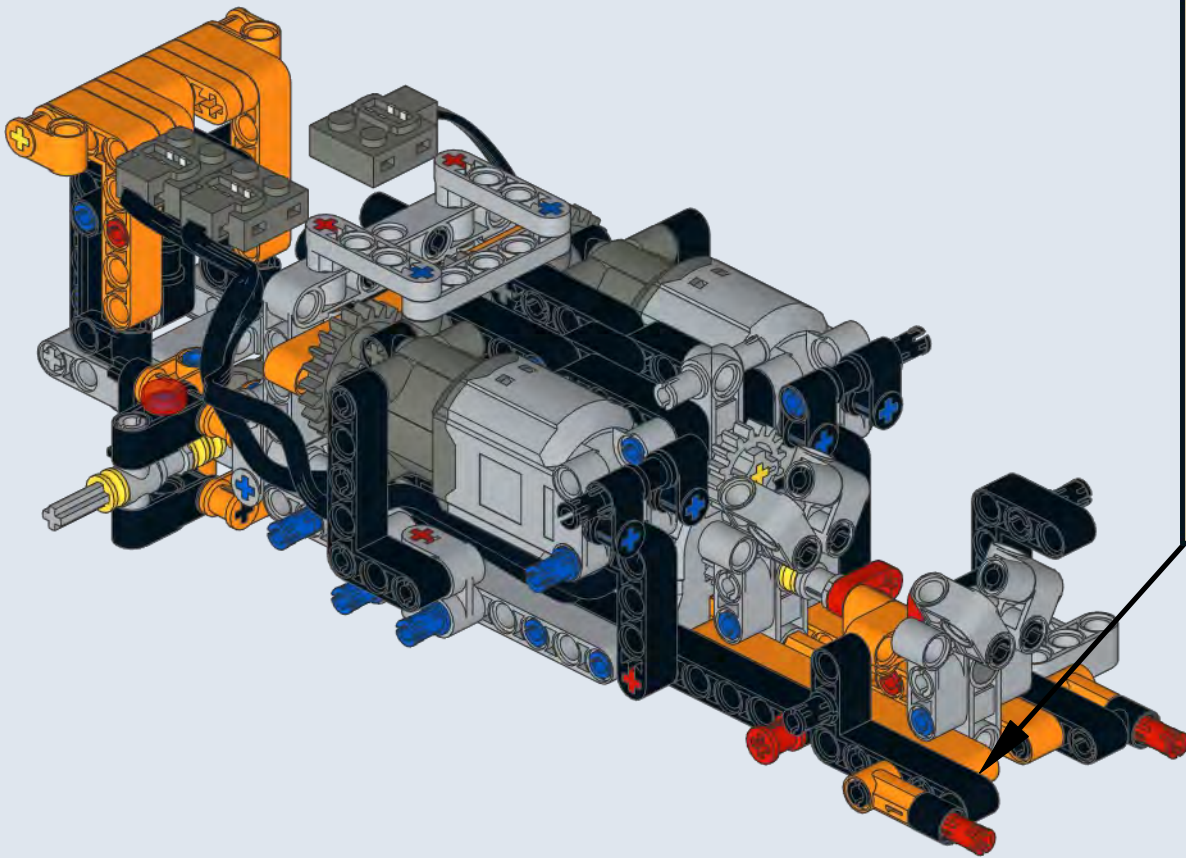
50





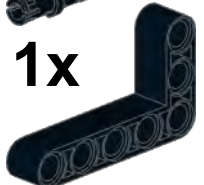








51

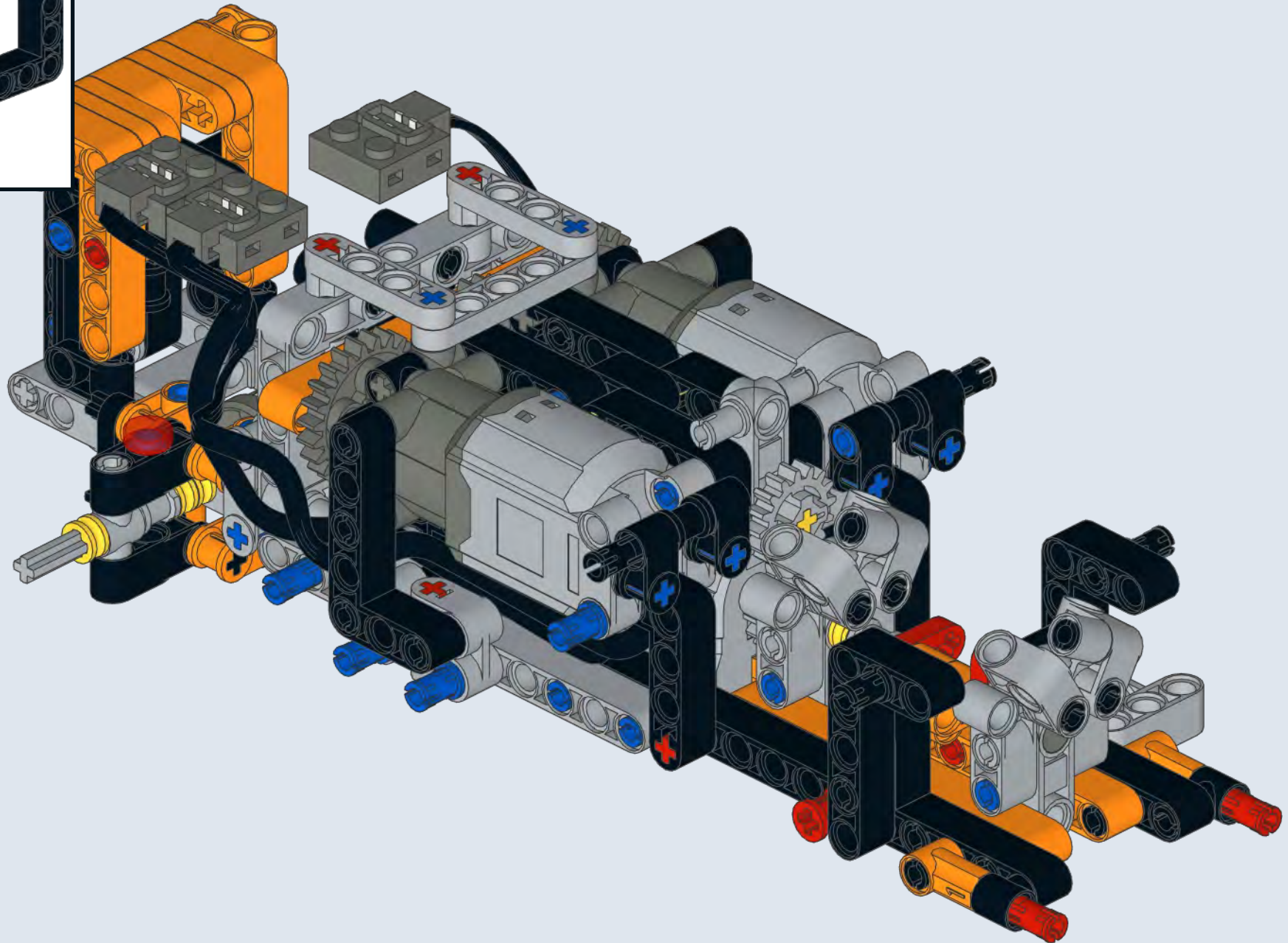
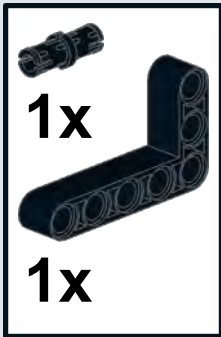




<b>1</b>	 <b>1x</b>	<b>2</b>	 <b>1x</b>	 <b>1x</b>	<b>3</b>	 <b>1x</b>	 <b>1x</b>
	 <b>1x</b>						
							

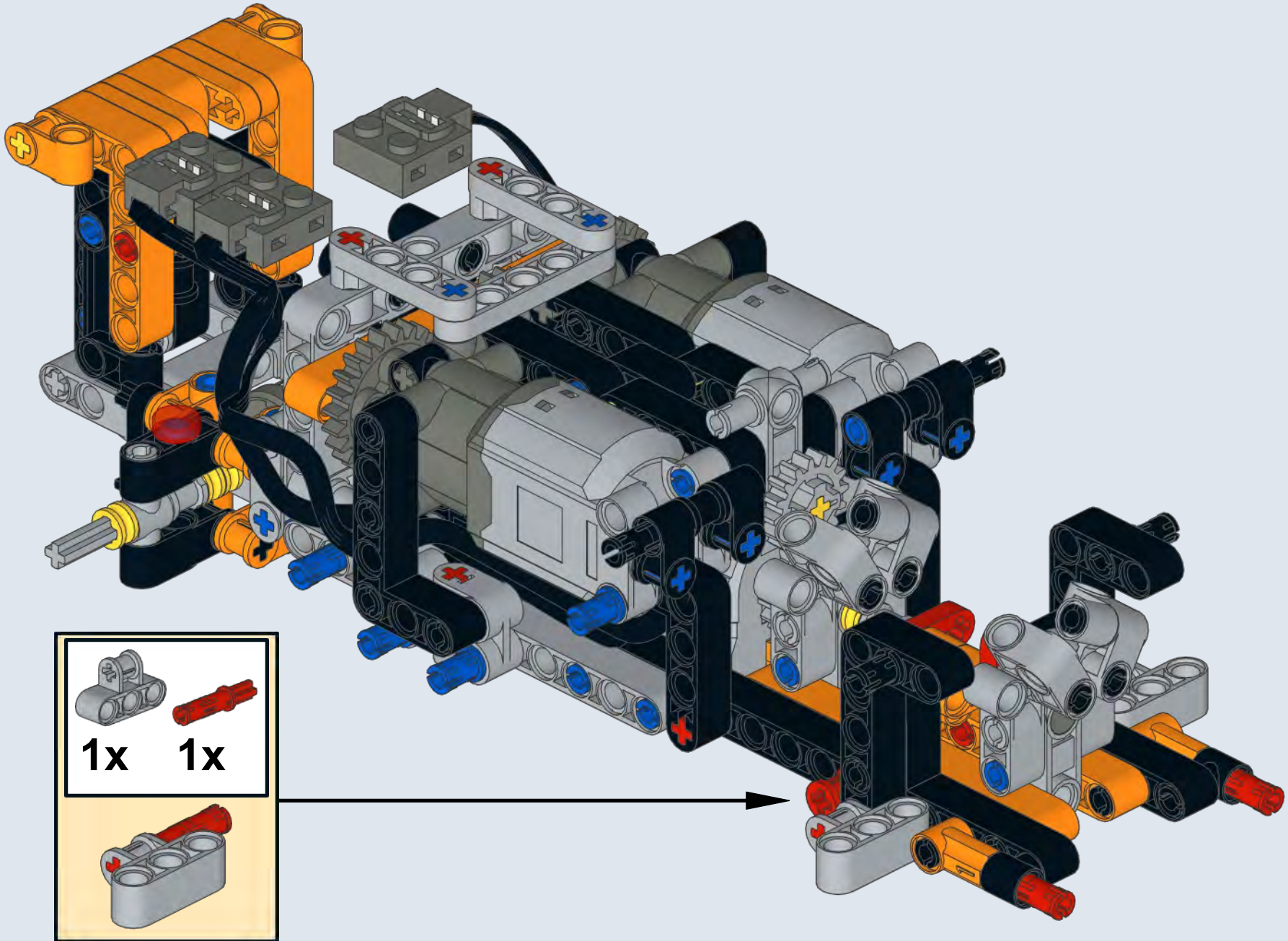


53



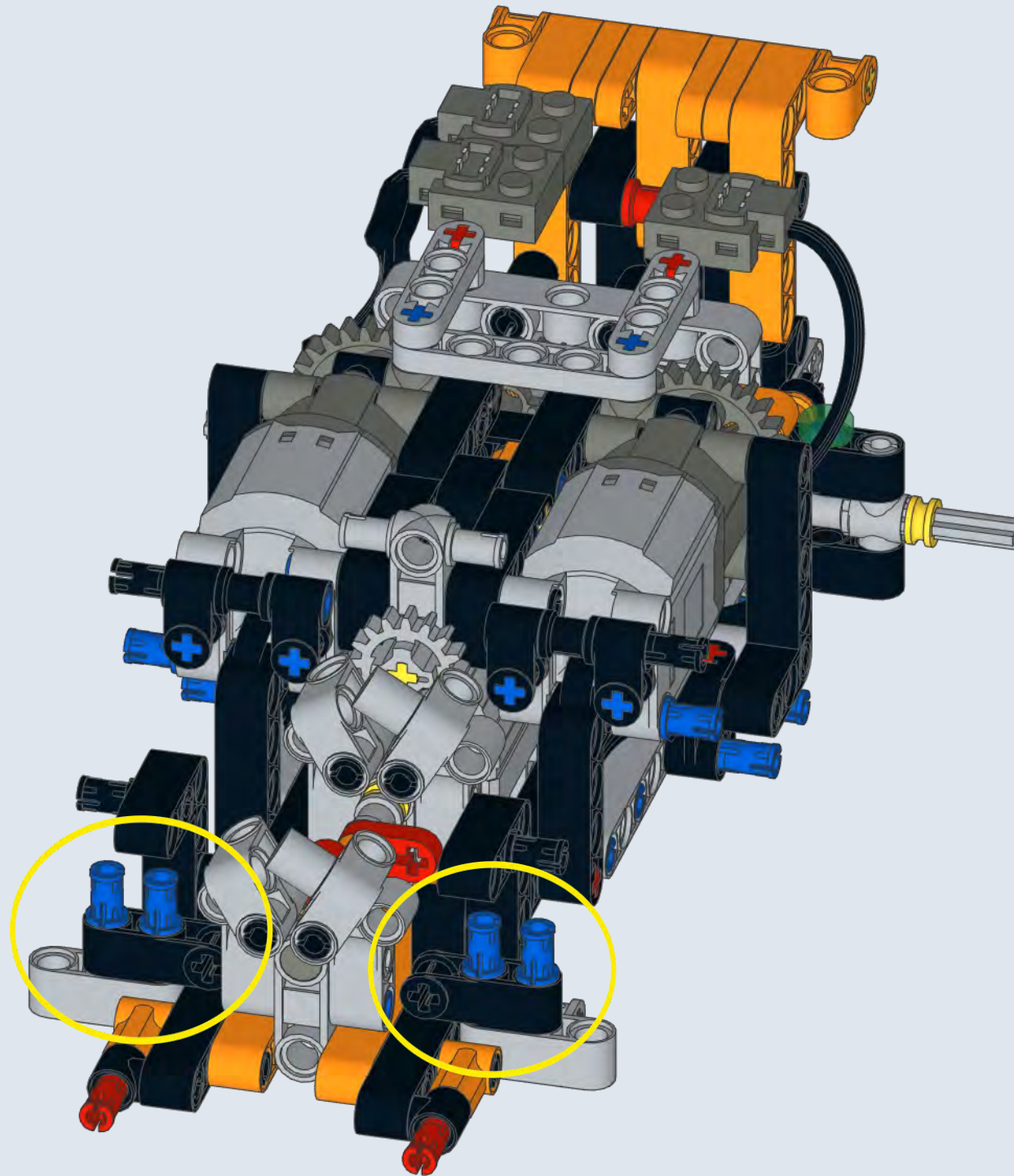


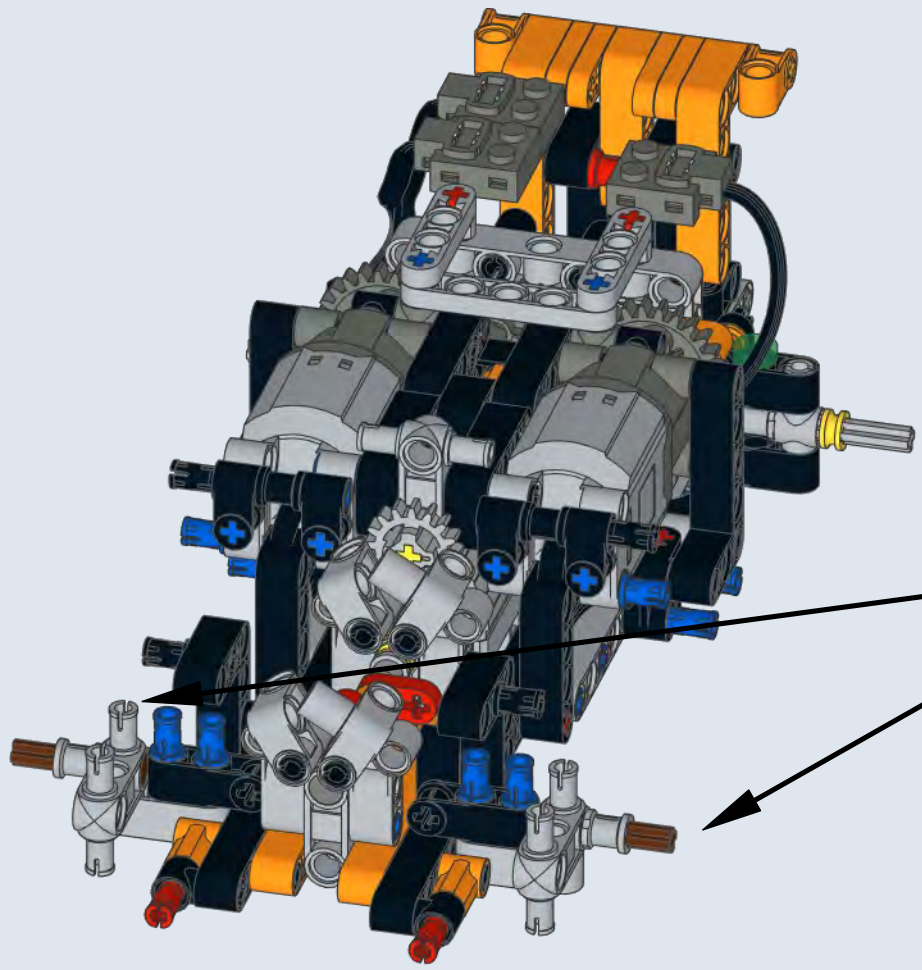
54





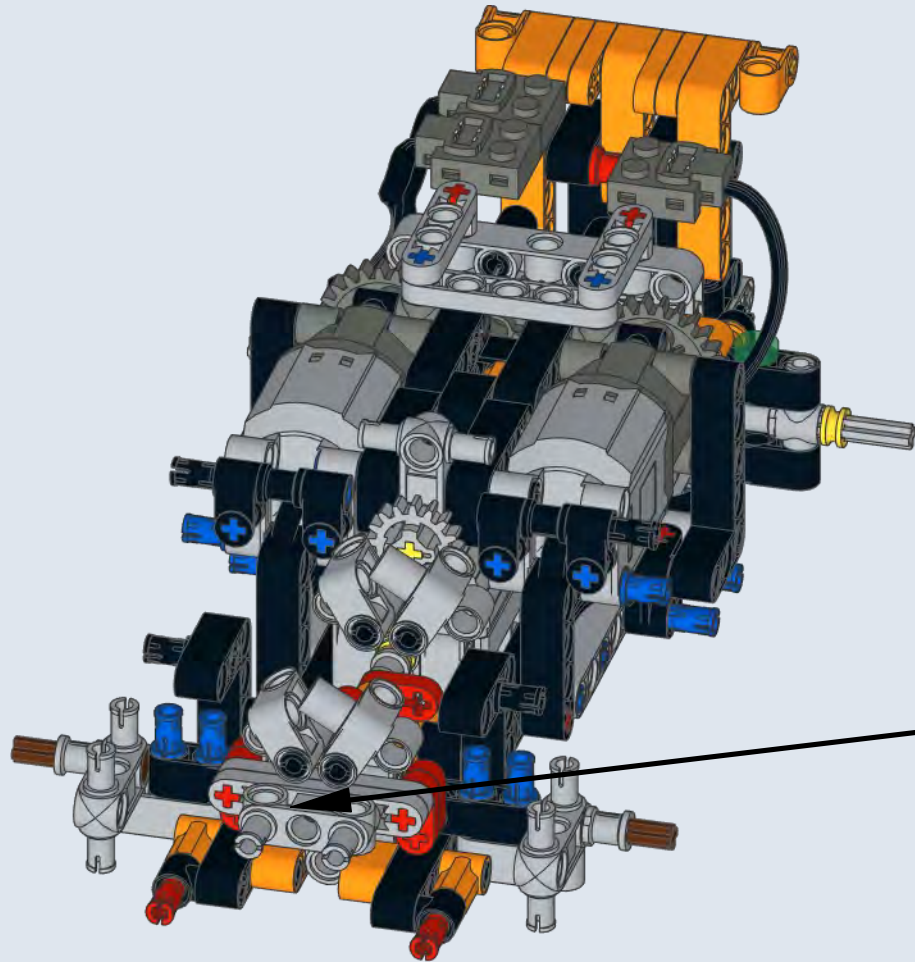
55



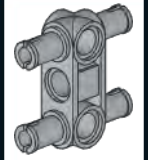
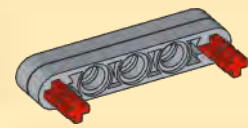
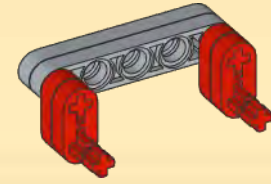
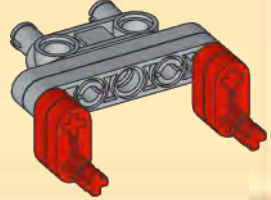


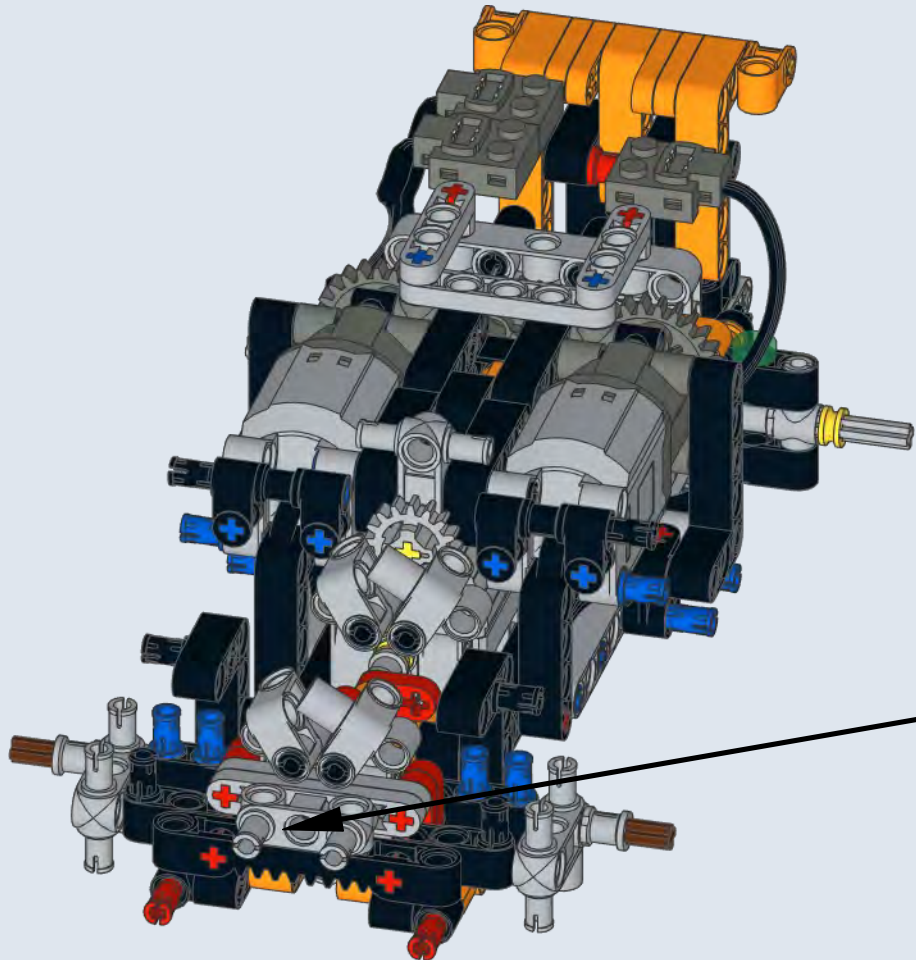






<b>1</b>	1x3	<b>2</b>	1x
	1x 3		<b>1x</b>
	1x		
			<b>x2</b>





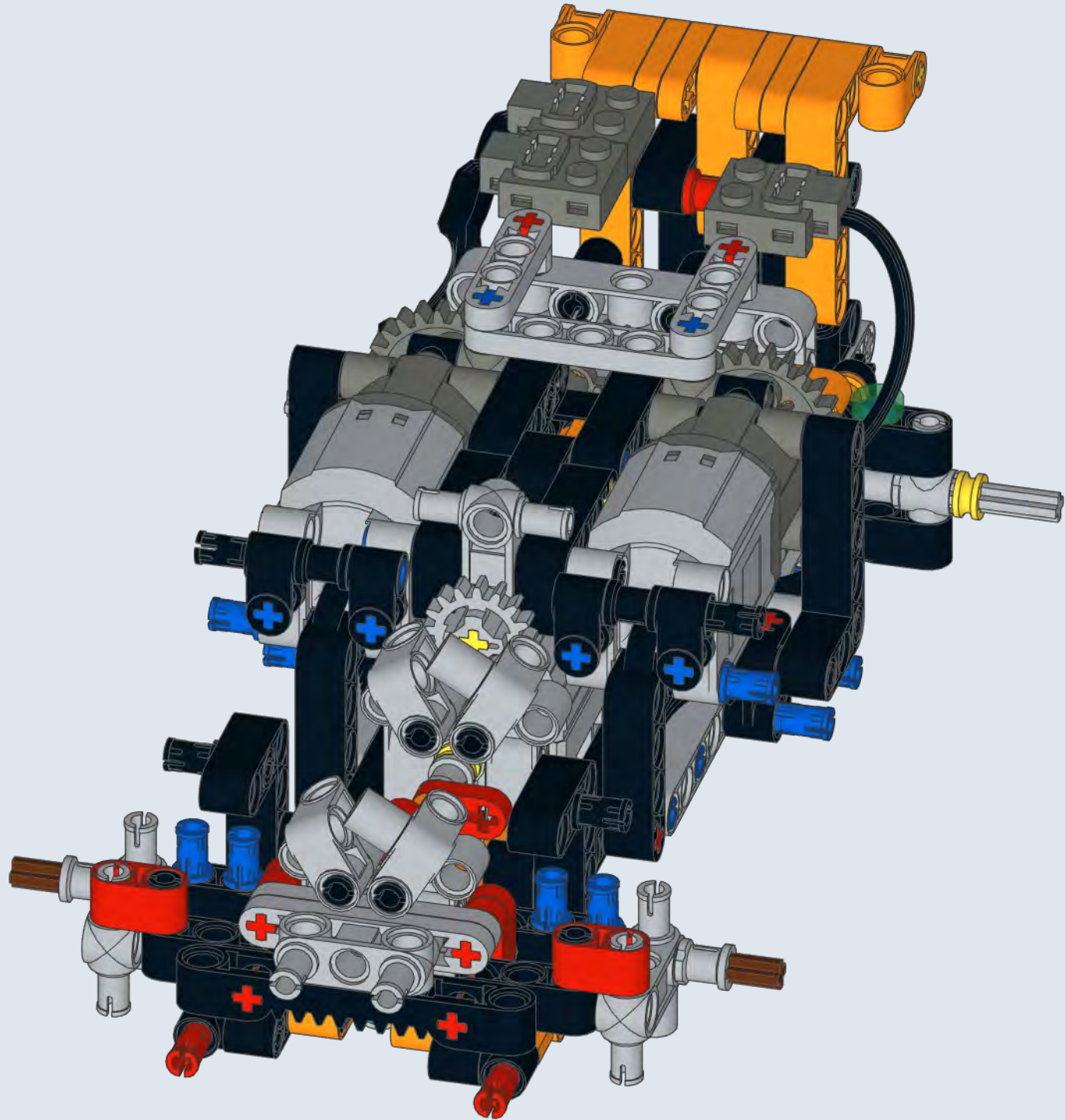
<p><b>1</b></p>  <p><b>2x</b>      <b>2x</b></p>	<p><b>2</b></p>  <p><b>2x</b>   <b>4x</b></p>	<p><b>3</b></p>  <p><b>1x</b></p>
		



<b>1</b>  <b>1x</b> <b>2x</b>	<b>2</b>  <b>2x</b> <b>2x</b>
	

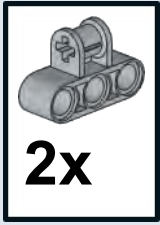


59

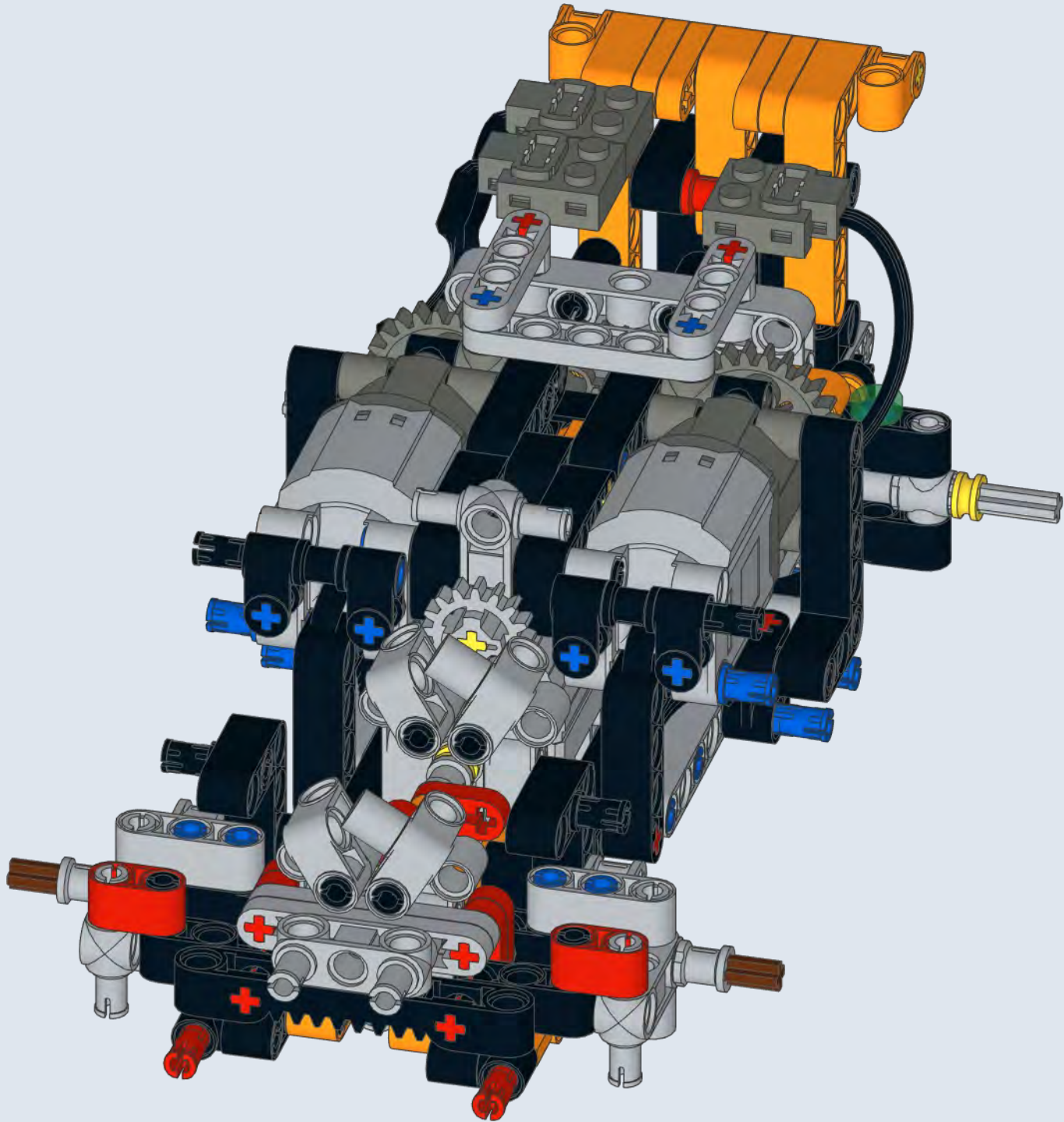




60

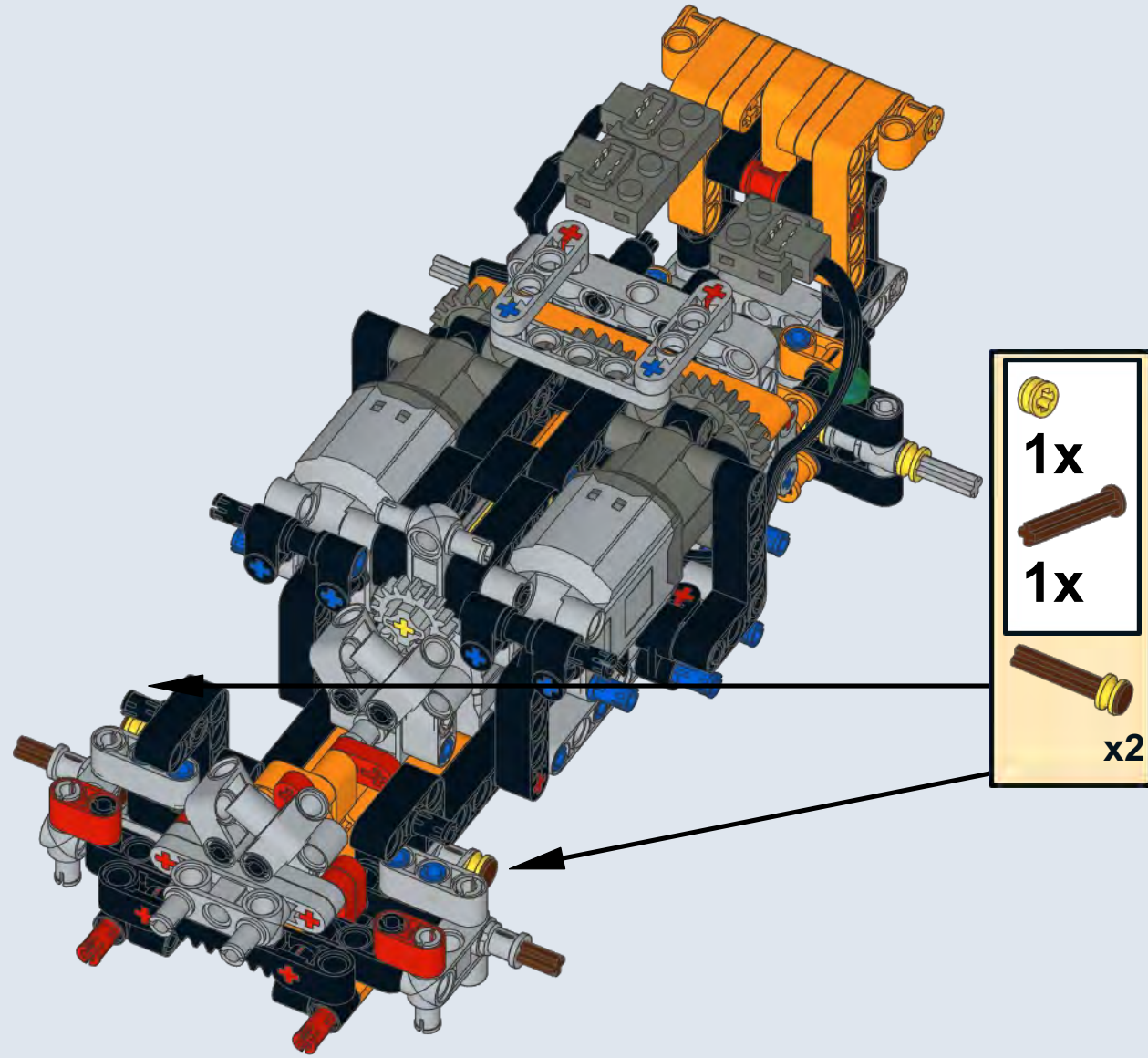


2x



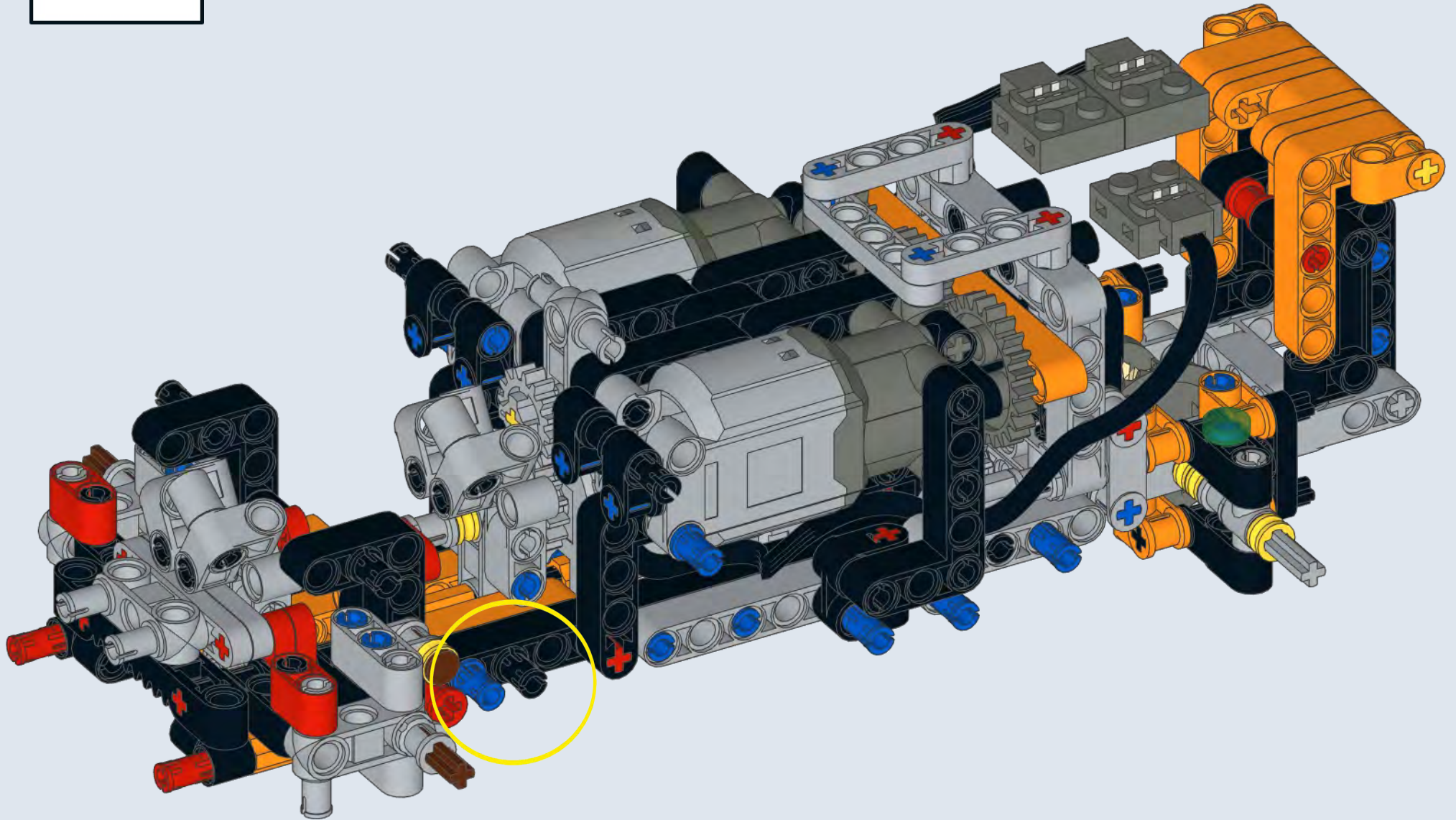


61





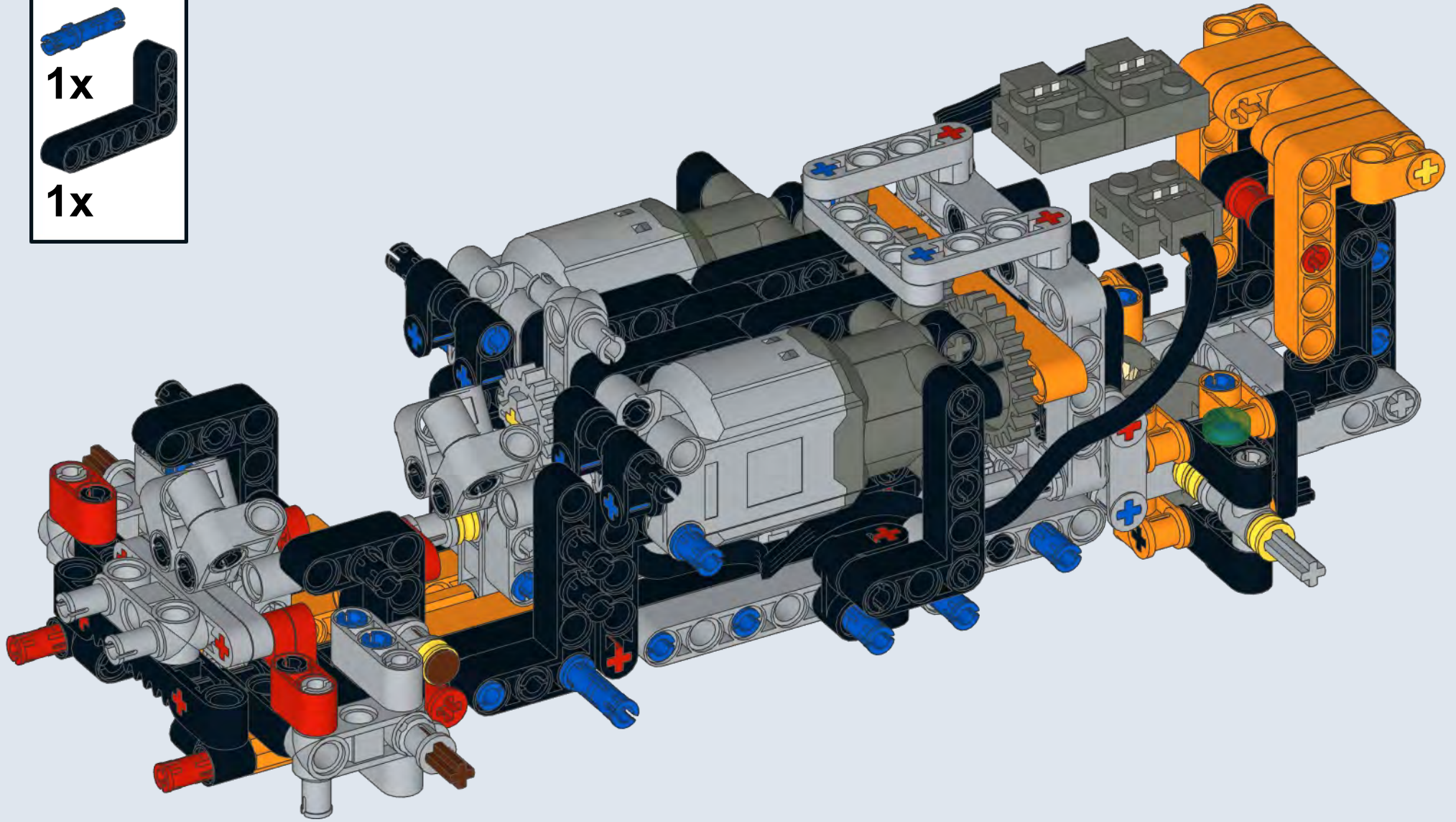
62





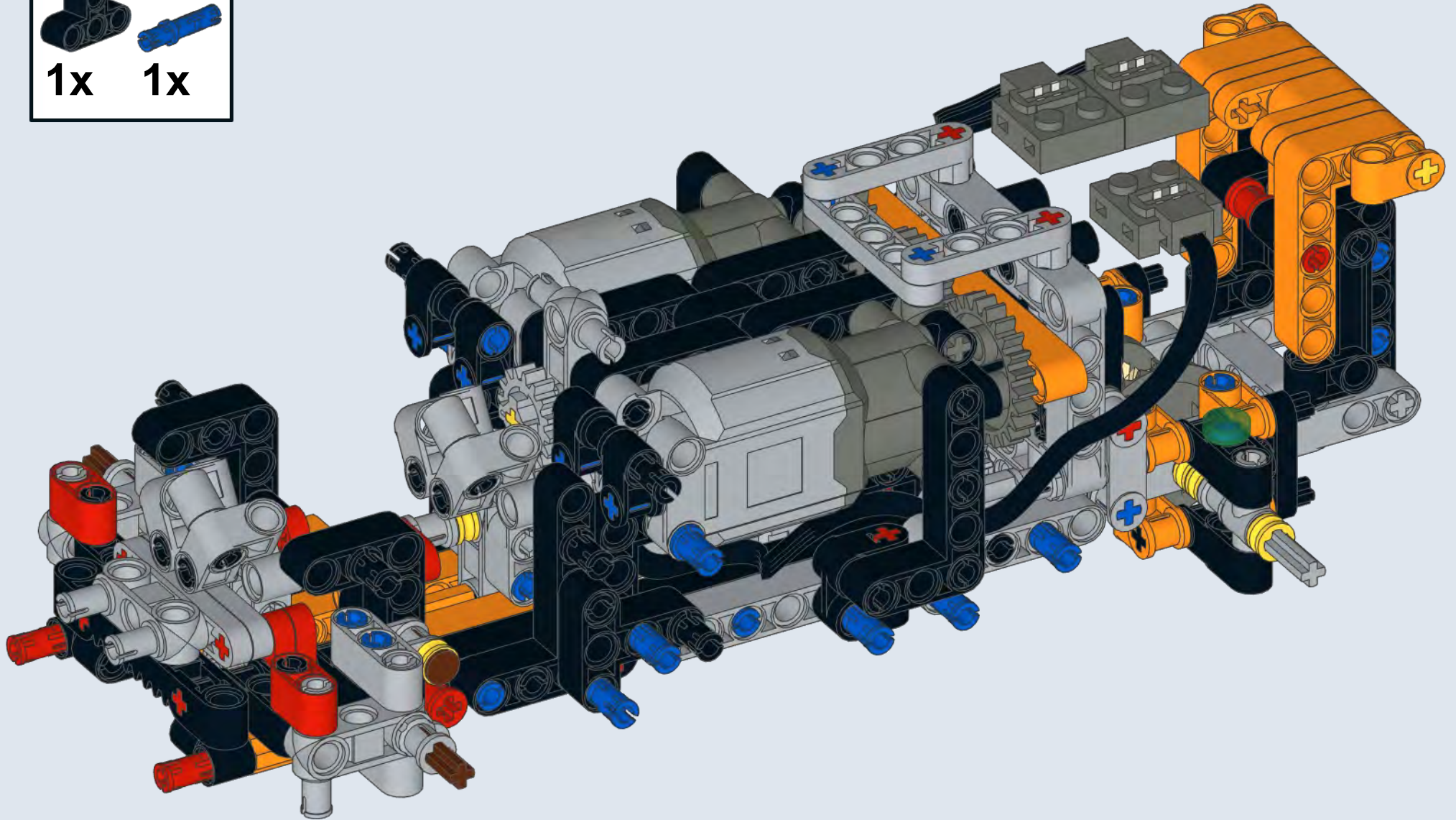
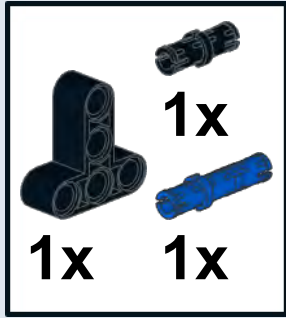
63

- 2x
- 1x
- 1x
- 1x





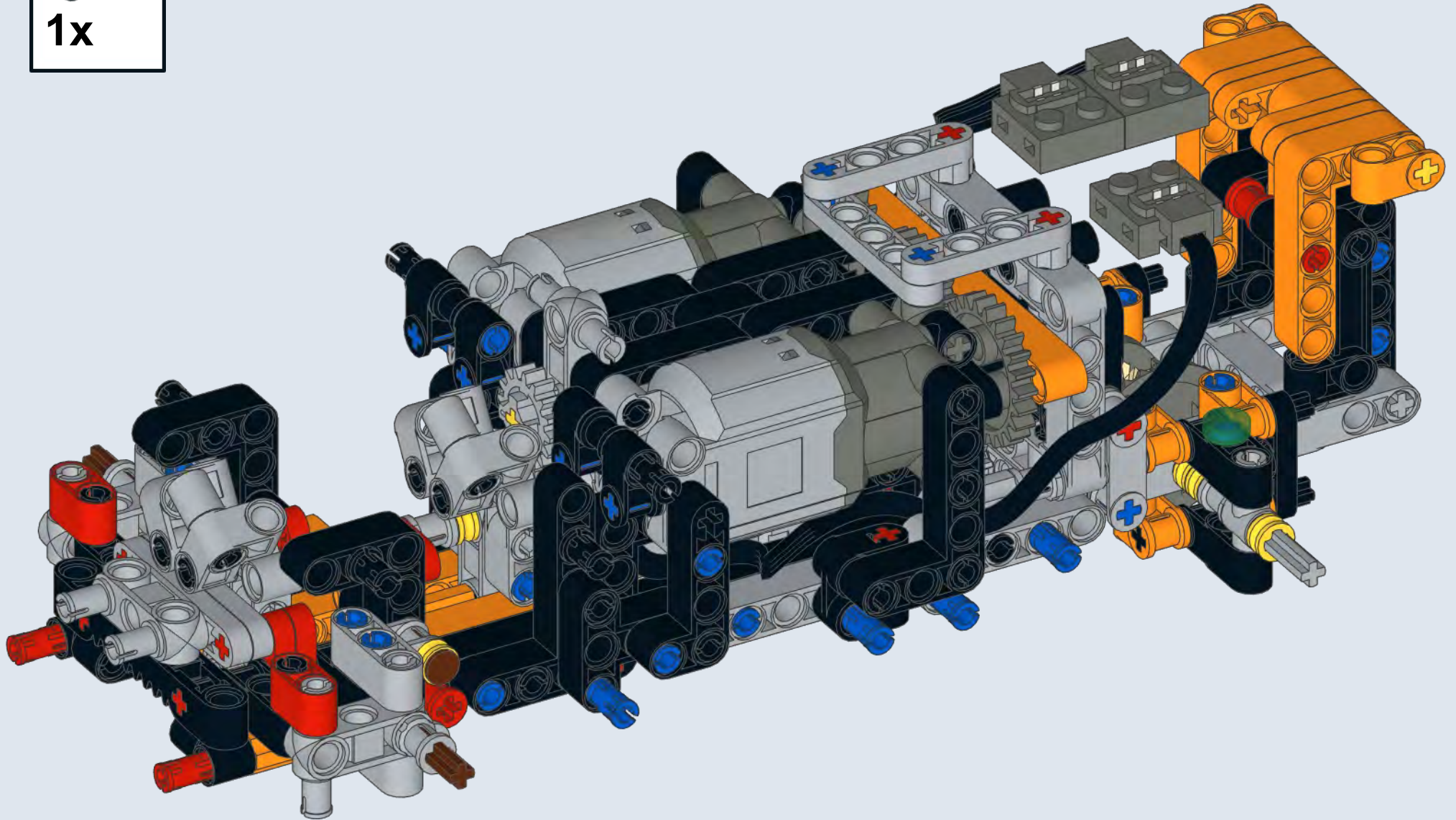
64







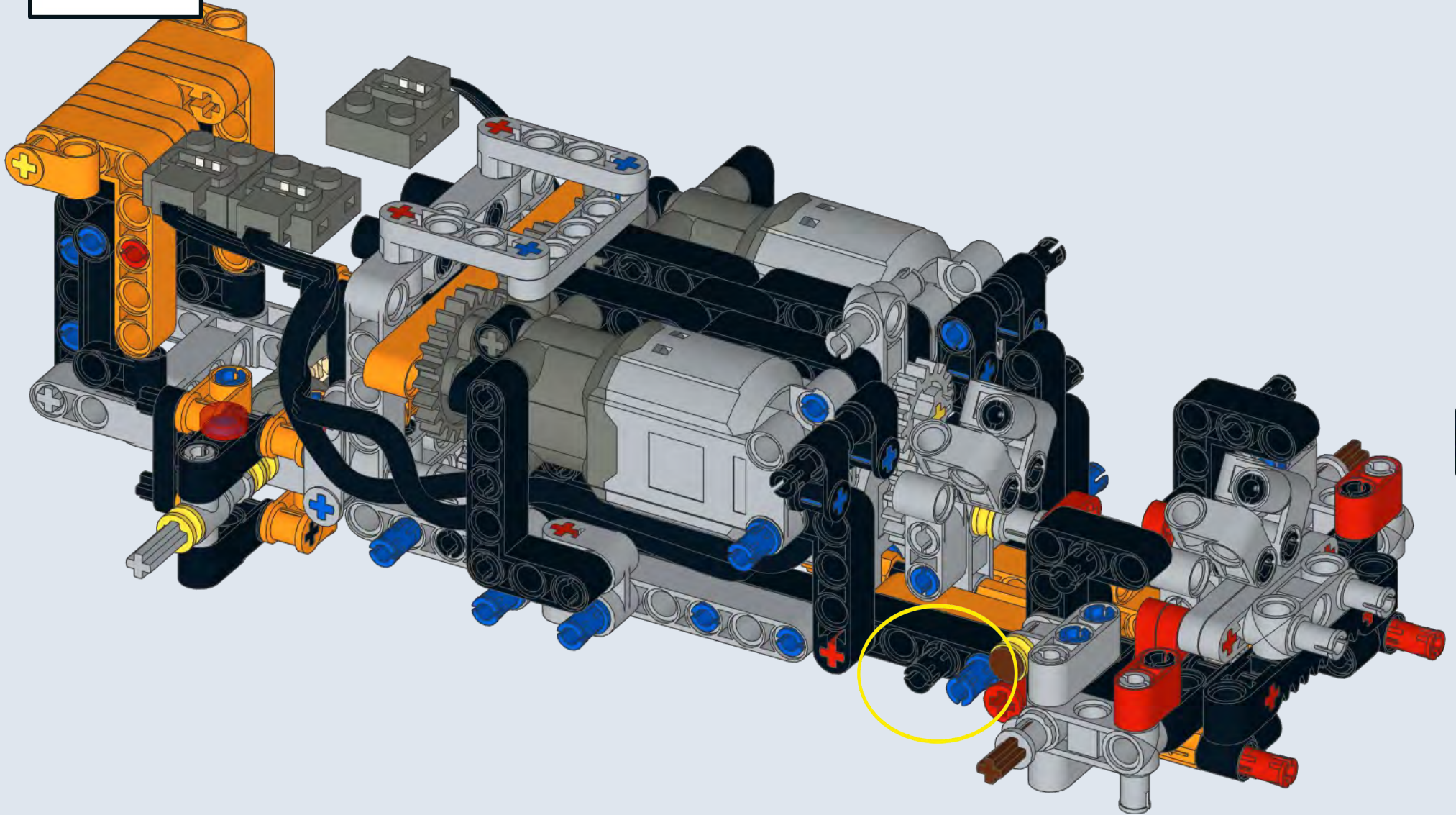
65





66

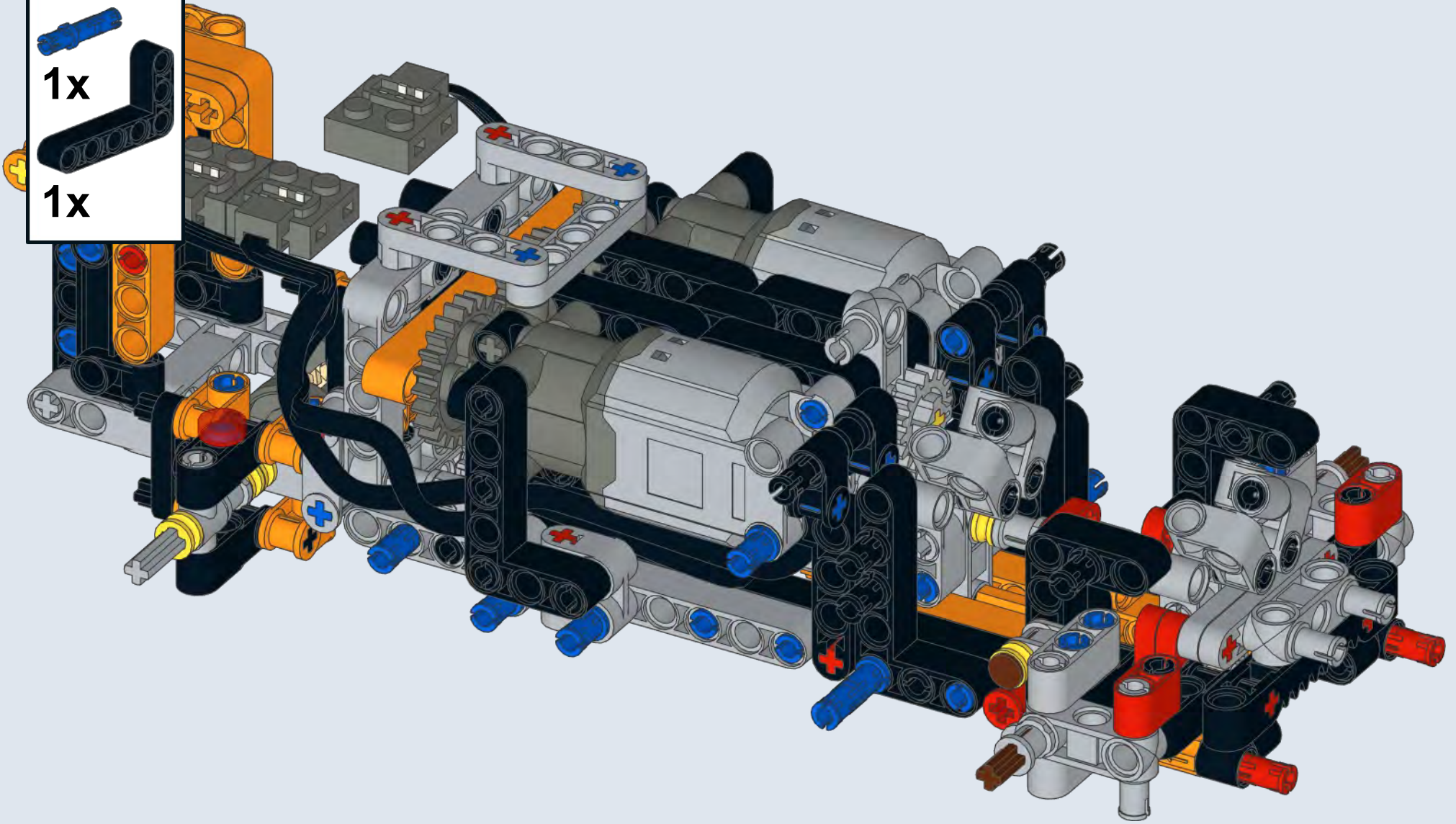
1x	1x





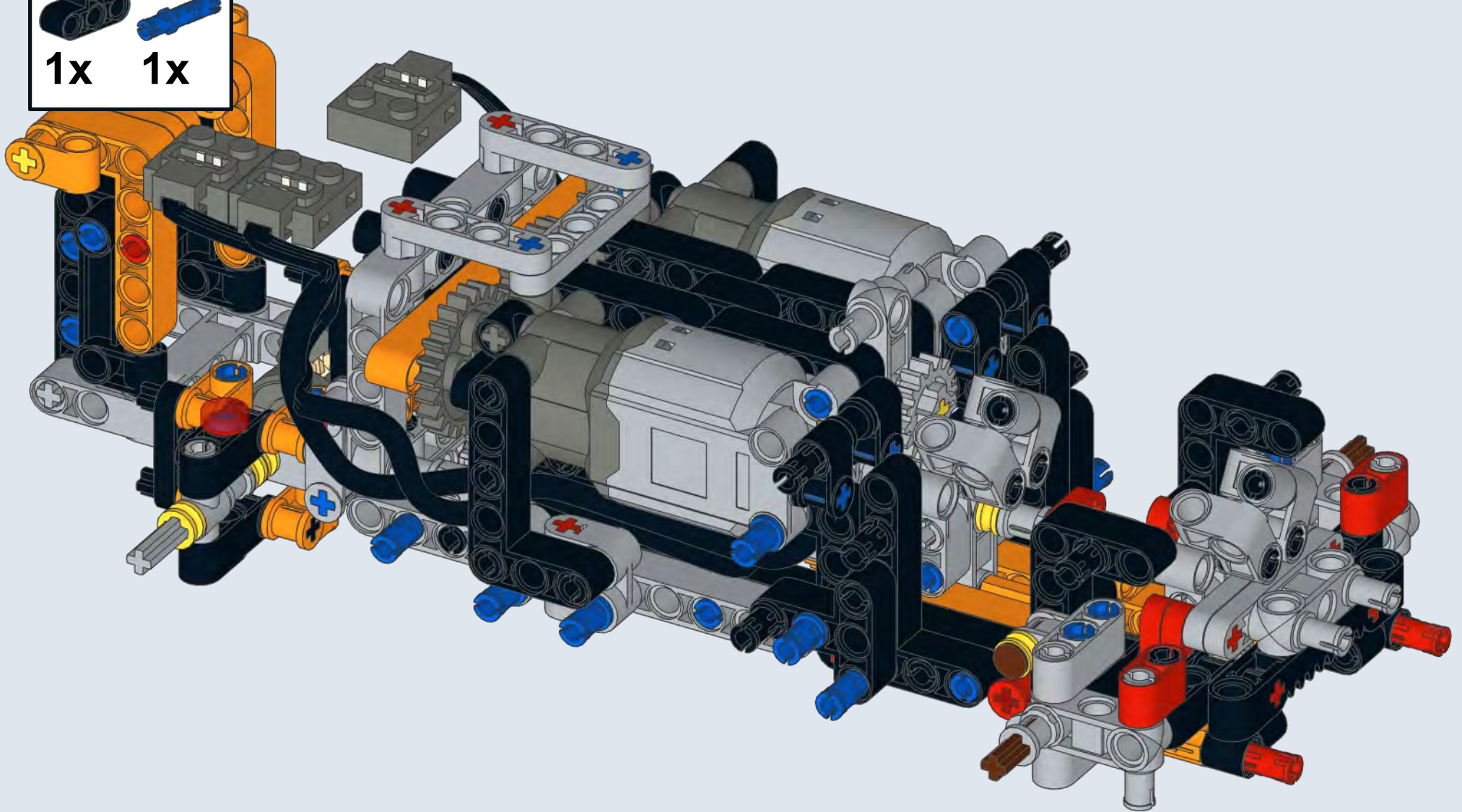
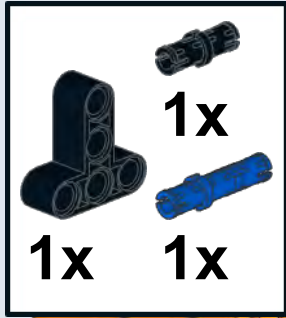
67

- 2x
- 1x
- 1x



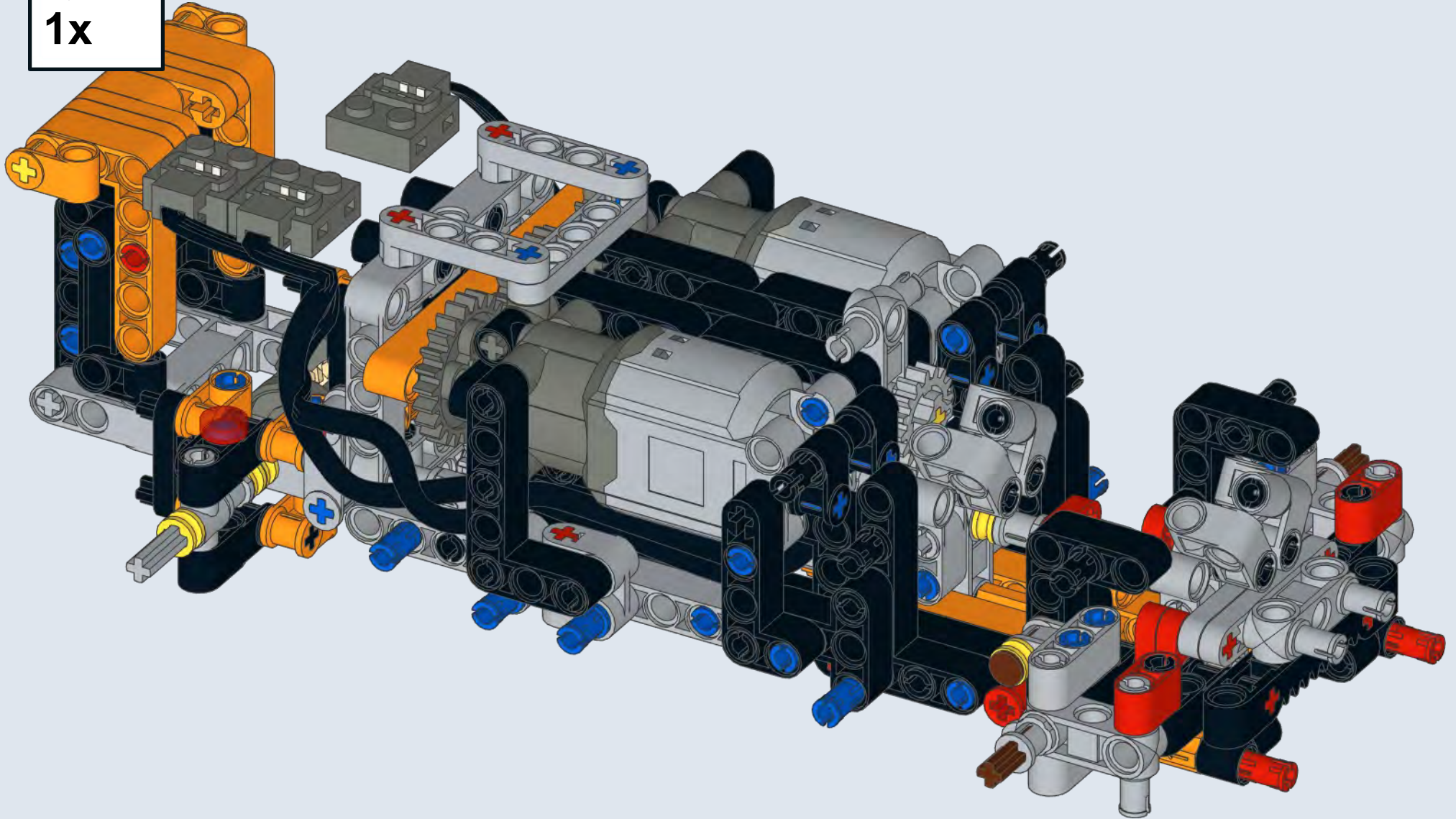


68



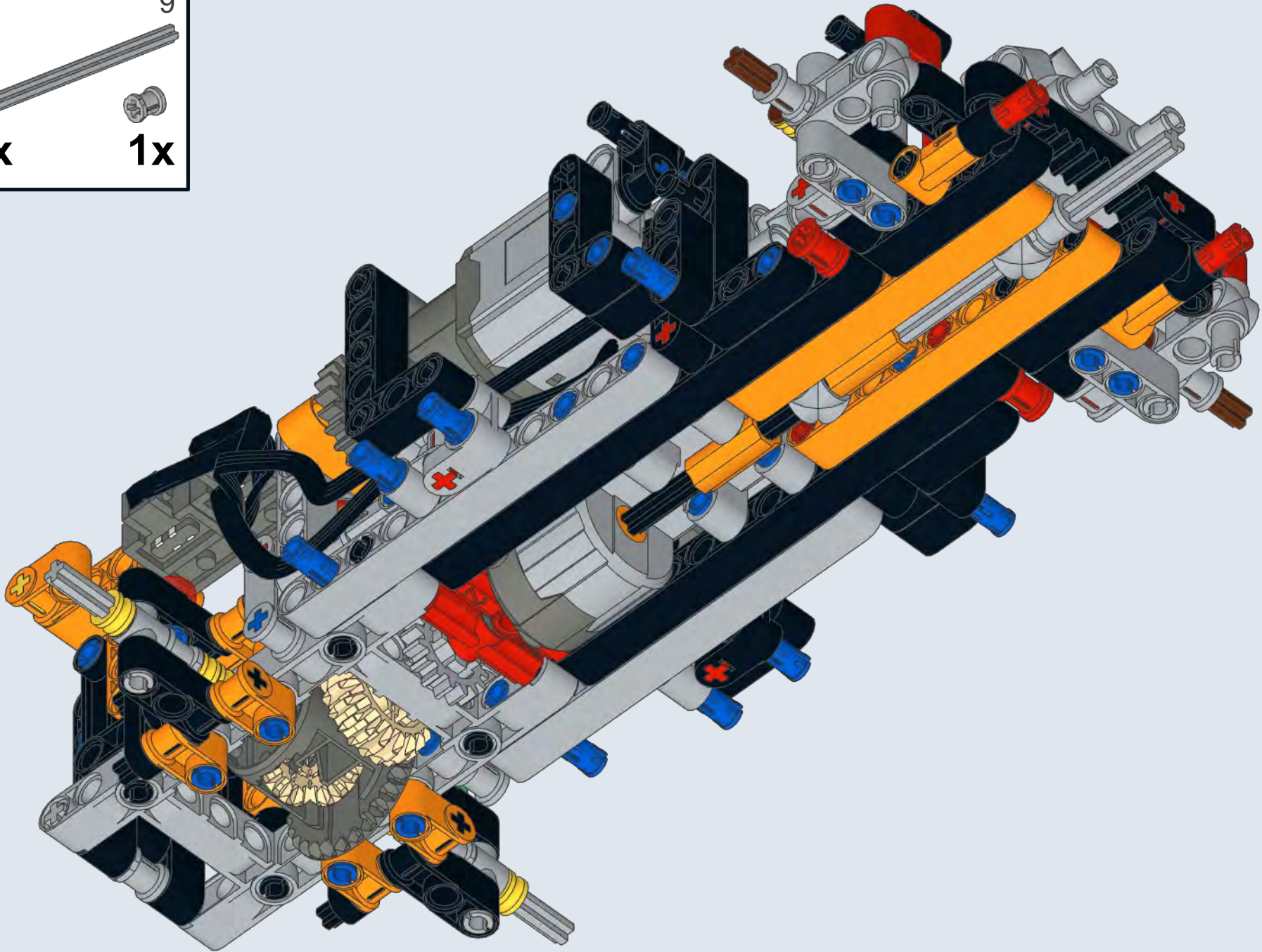
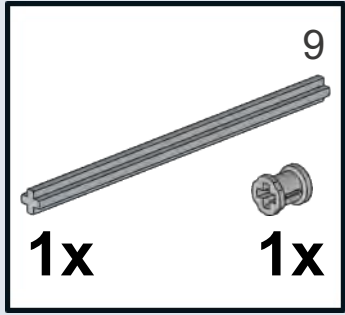


69



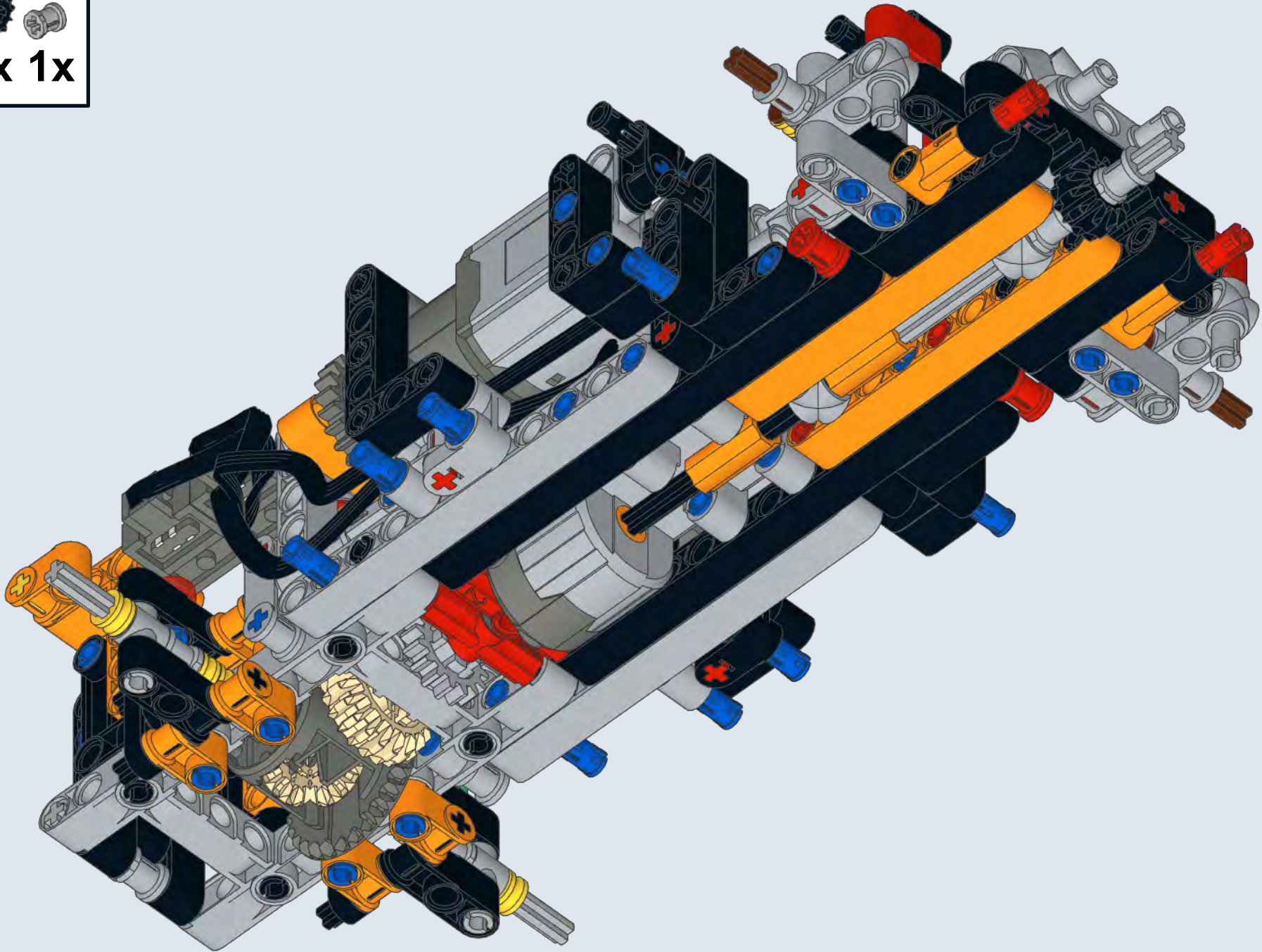


70



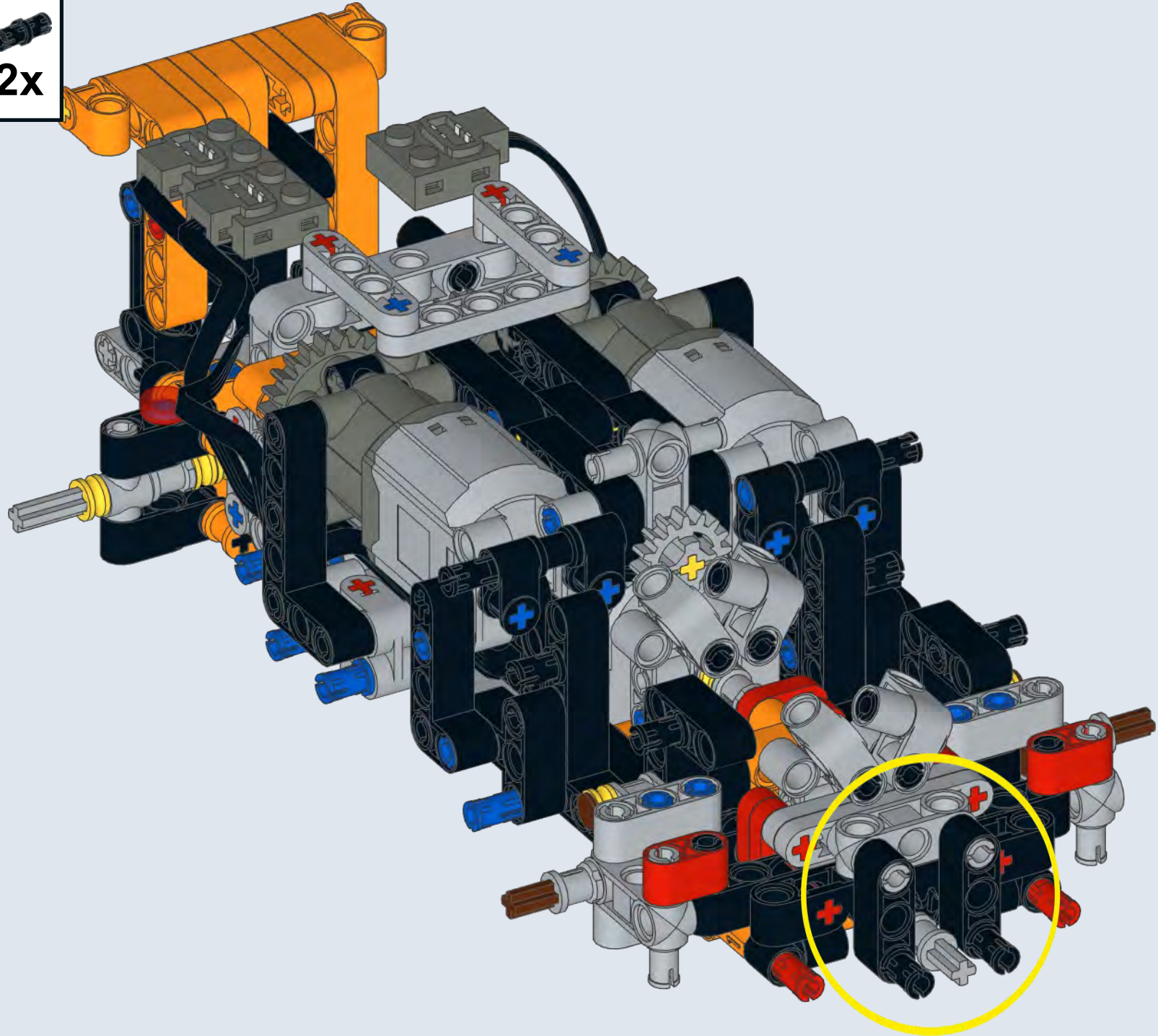


71





72



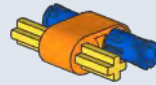




**1**

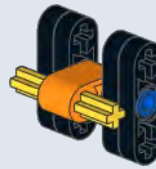
3

1x 1x 1x



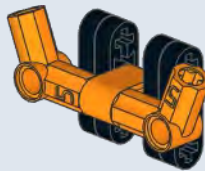
**2**

4x



**3**

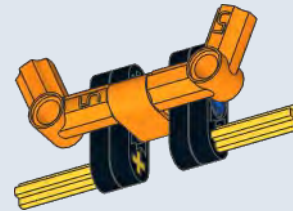
2x



**4**

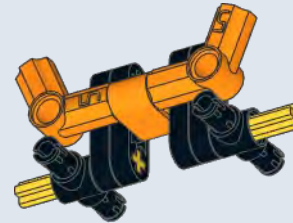
3

2x



**5**

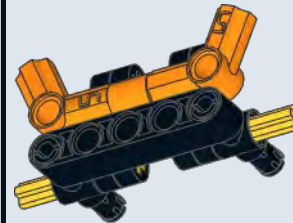
2x



**6**

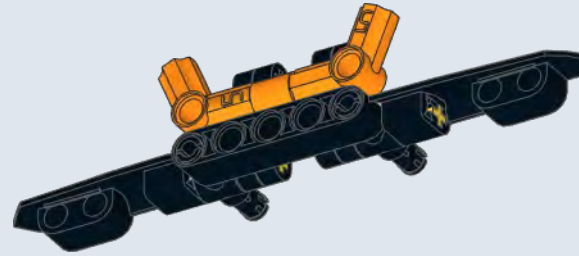
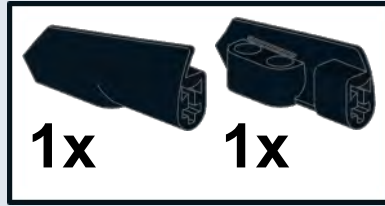
5

1x

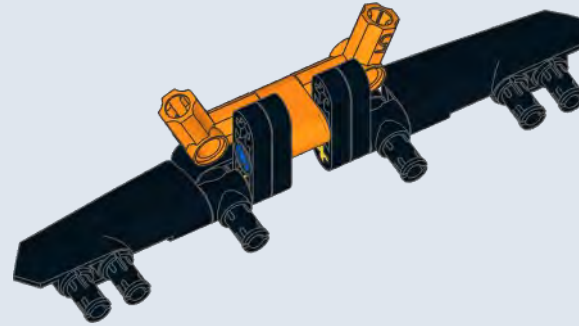




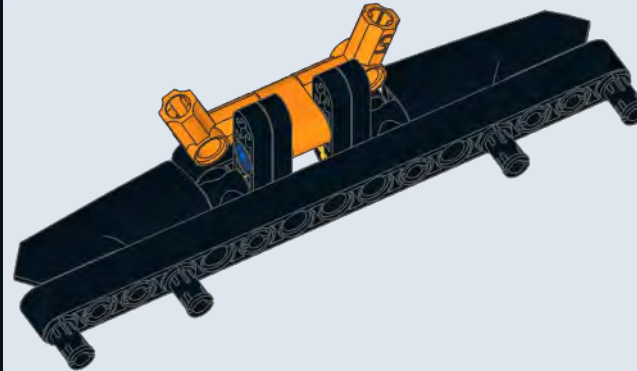
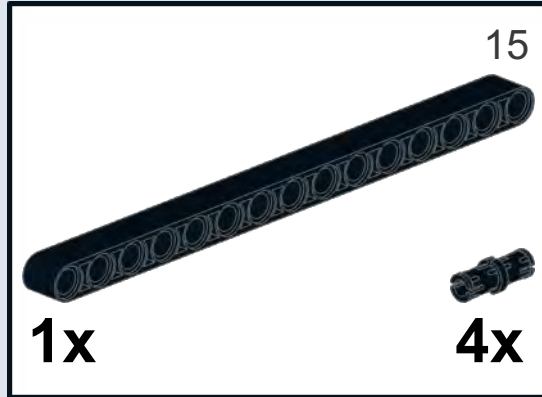
7



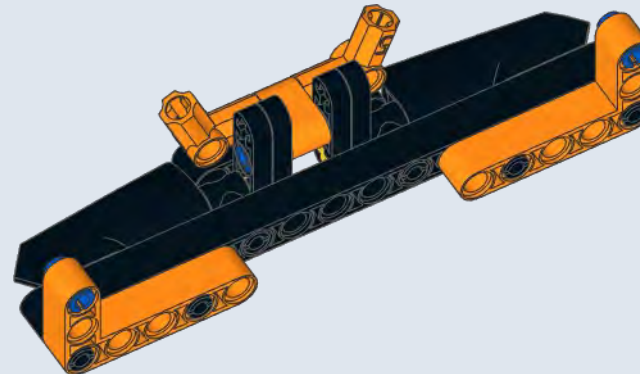
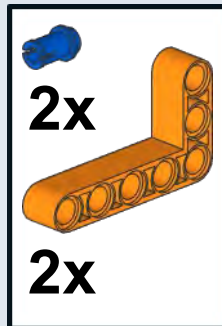
8

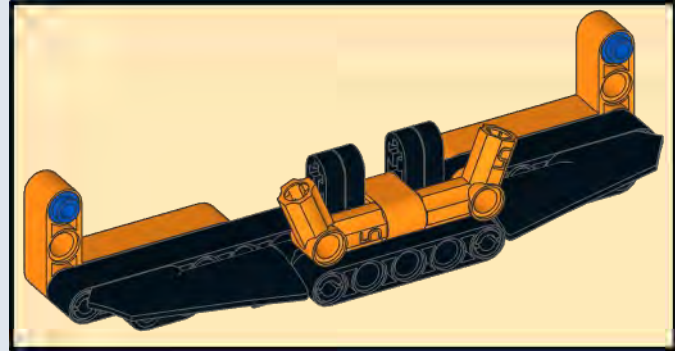
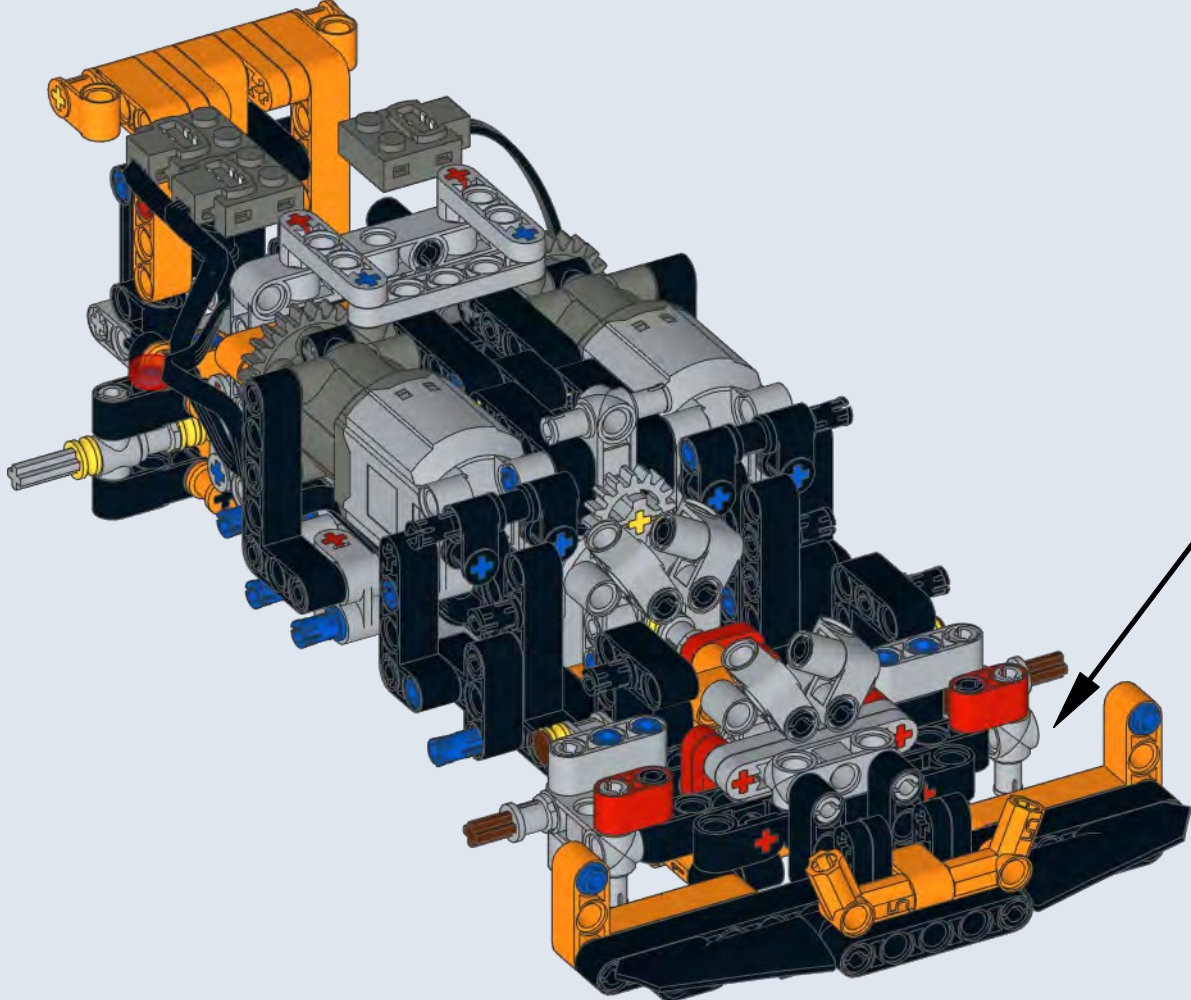


9





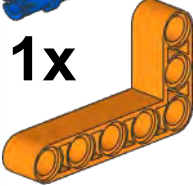

10

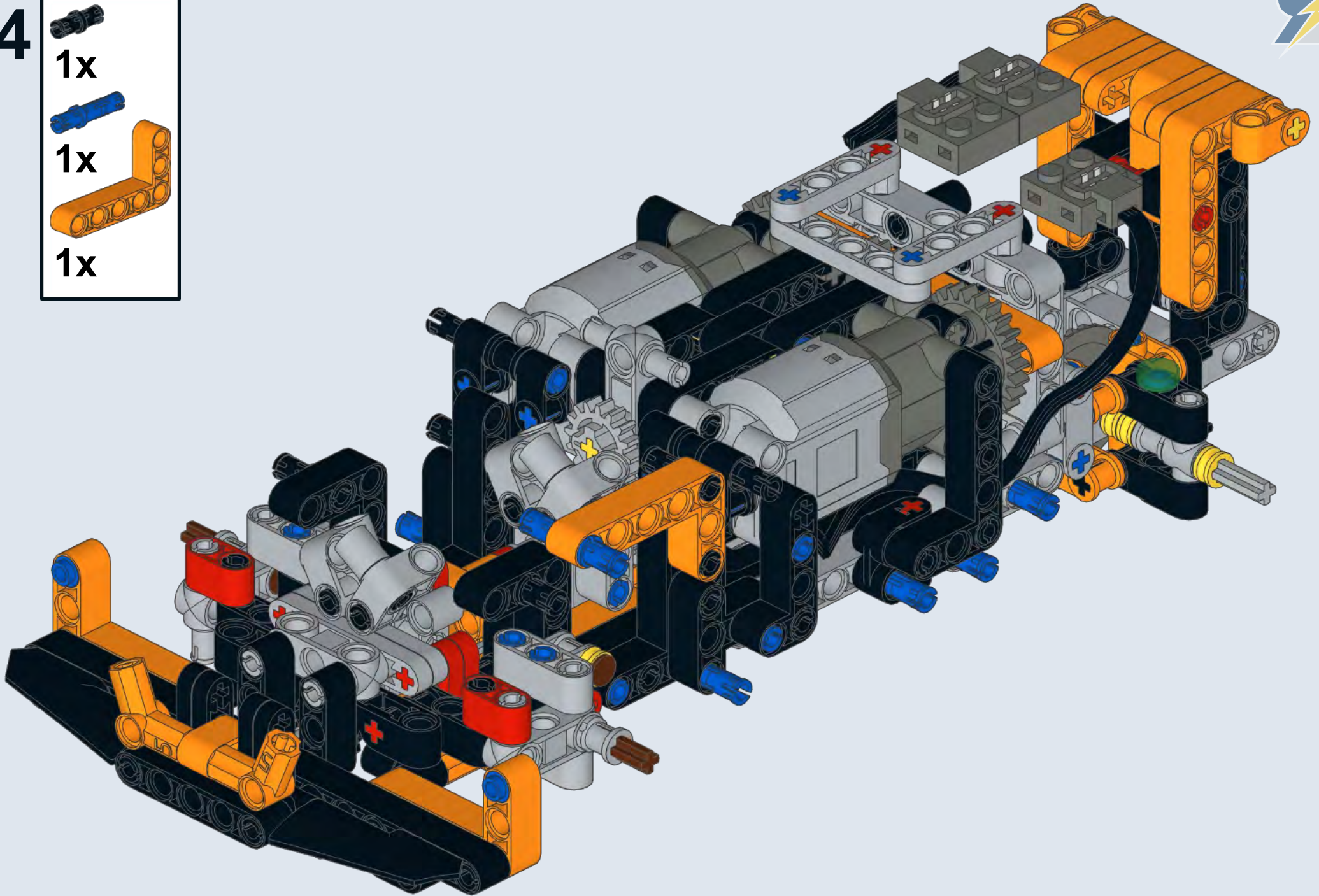






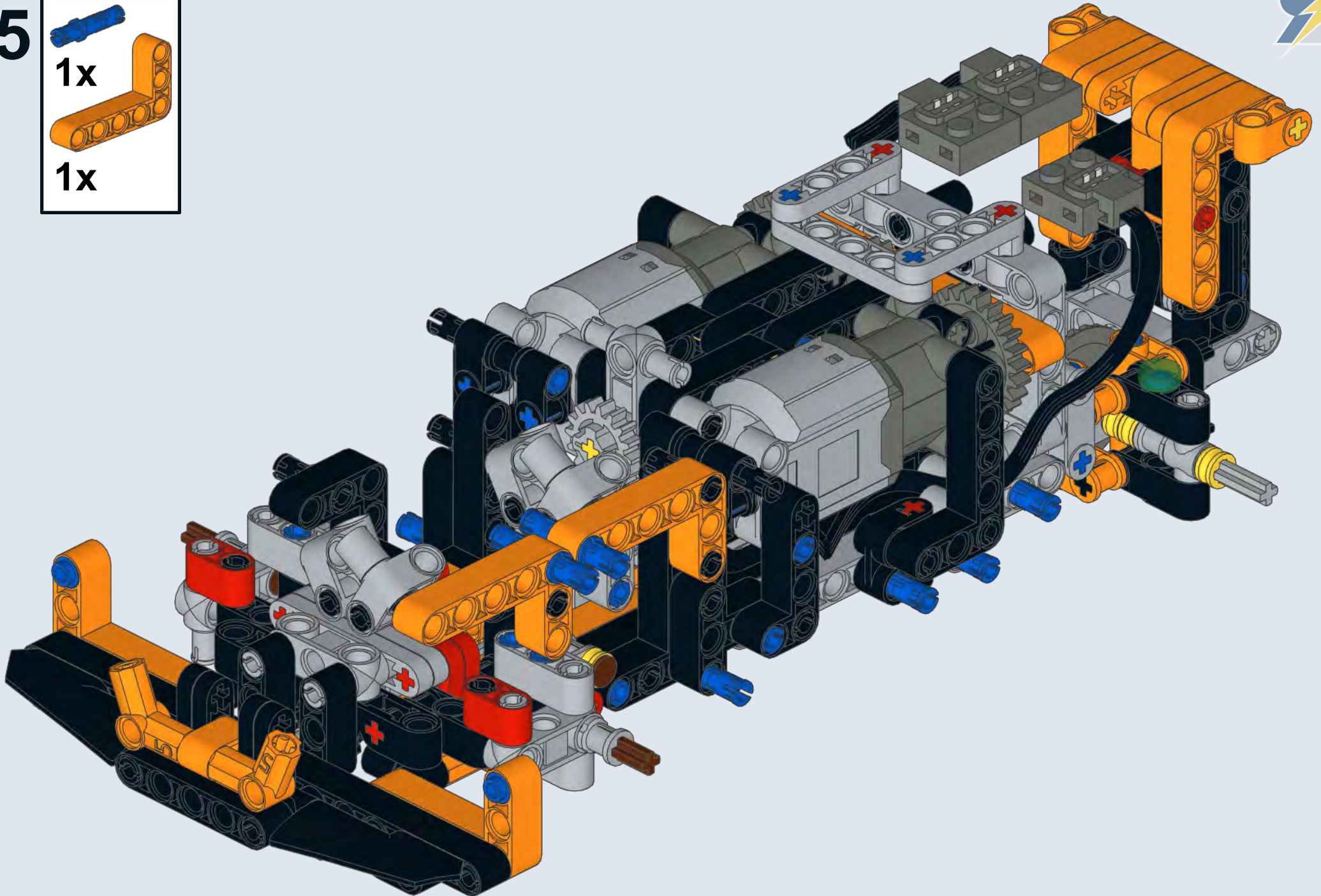
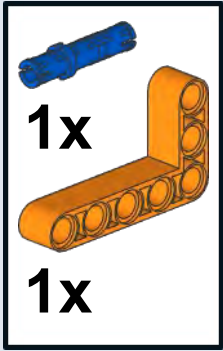
74

- 1x 
- 1x 
- 1x 
- 1x 



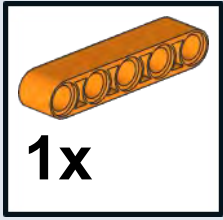


75

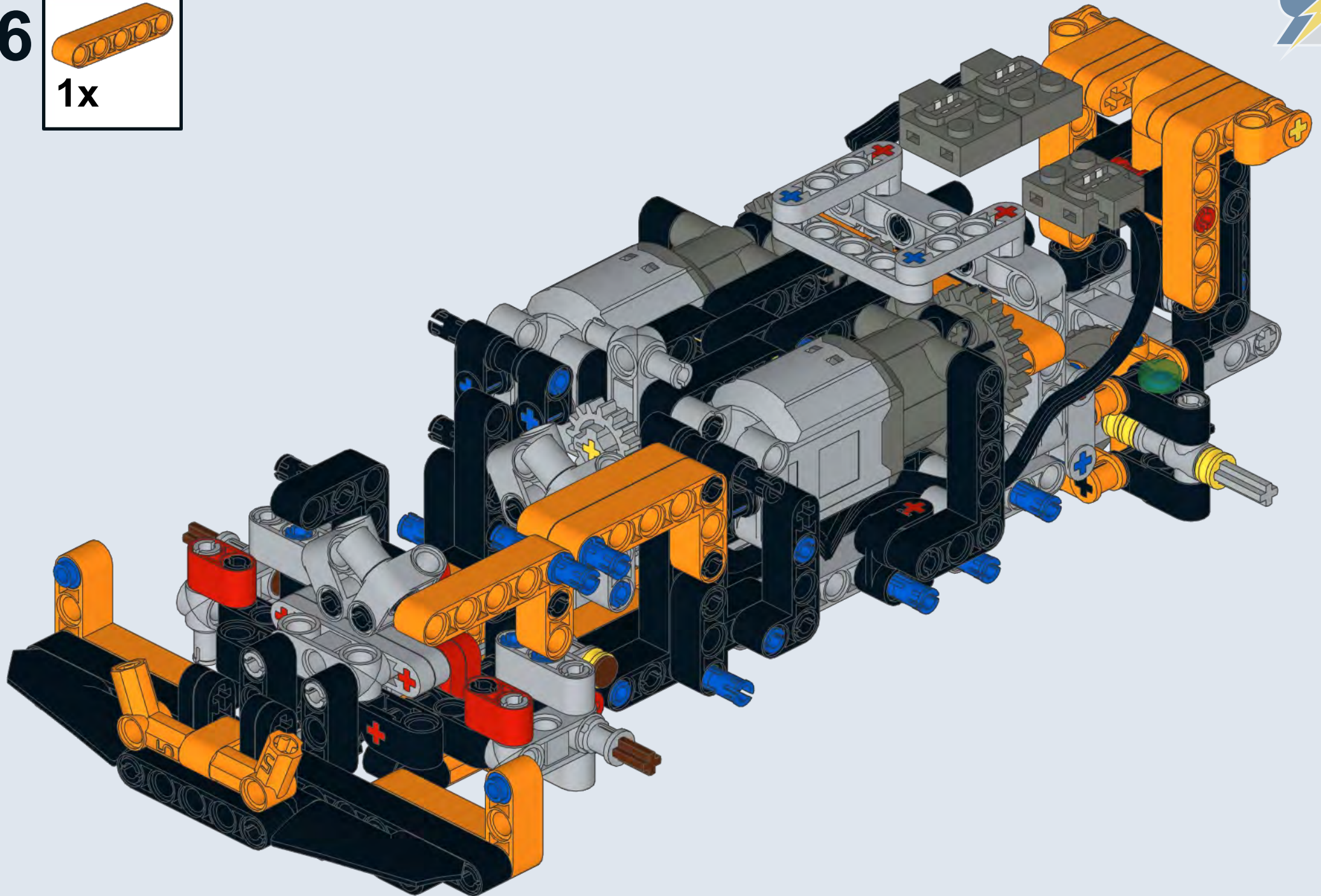


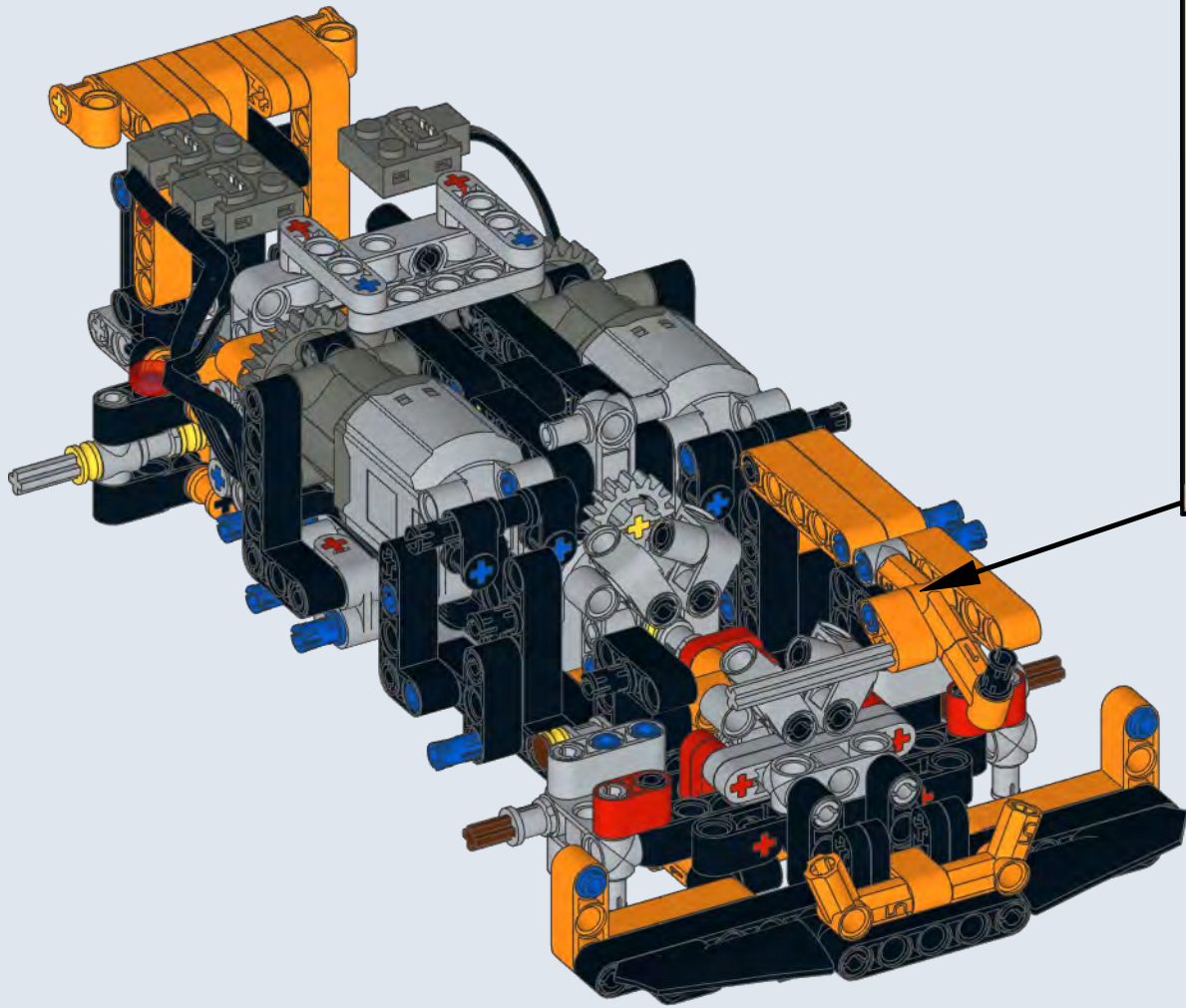




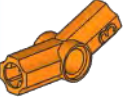





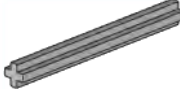

76

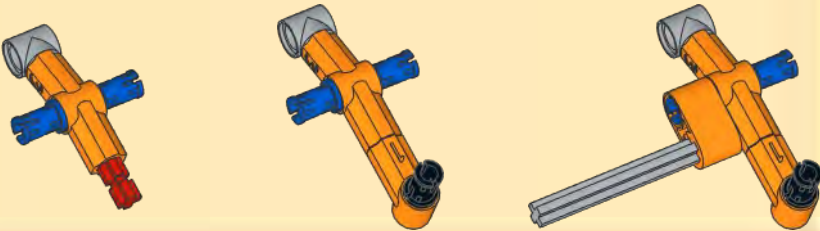


1x



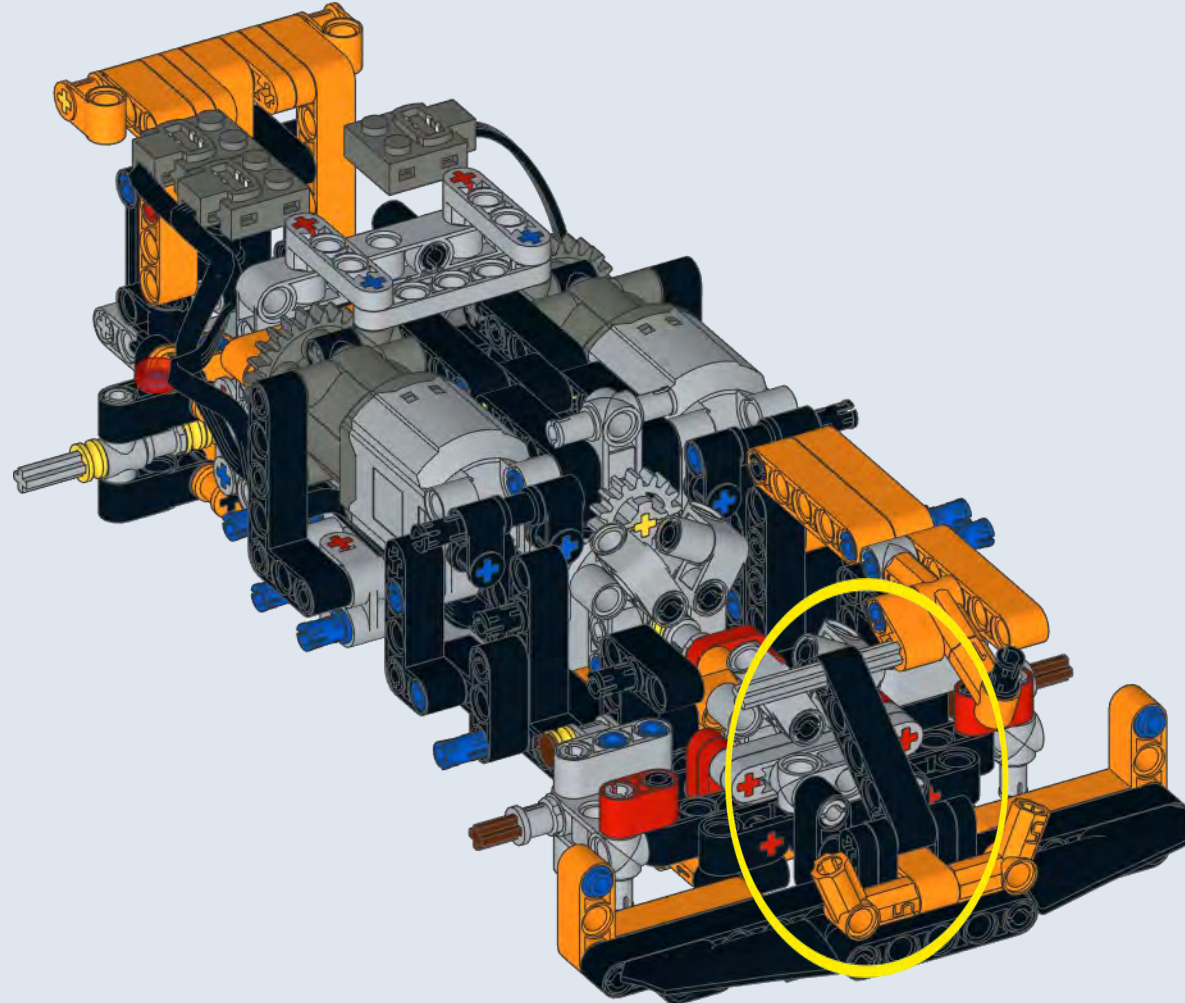


<b>1</b>	 <b>1x</b>	 <b>1x</b>
	 <b>1x</b>	 <b>2</b>
	 <b>#3</b>	 <b>1x</b>
<b>2</b>	 <b>1x</b>	 <b>1x</b>
<b>3</b>	 <b>1x</b>	 <b>1x</b>



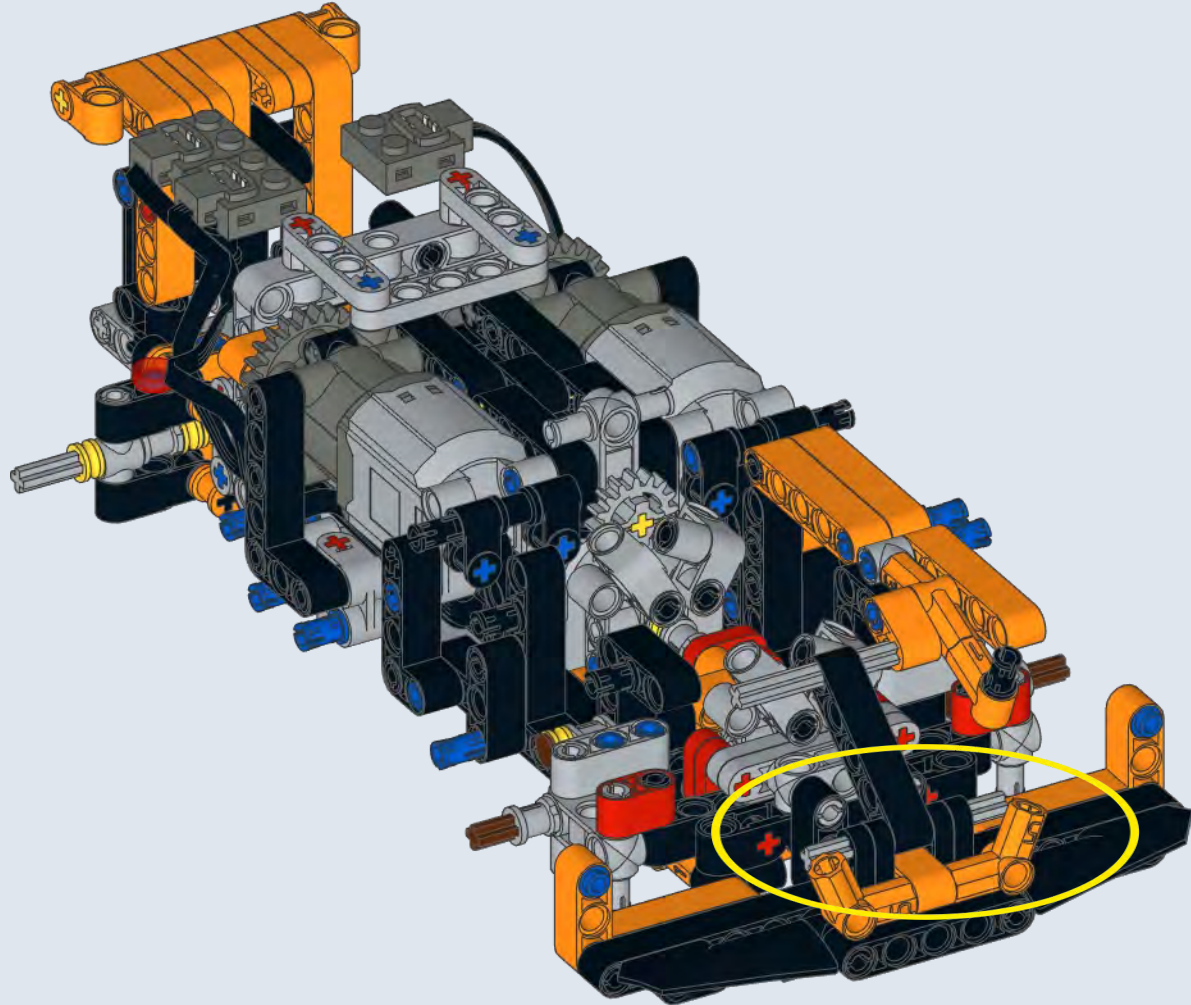
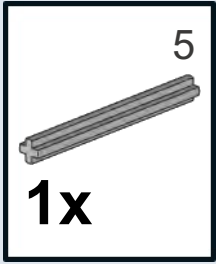
78

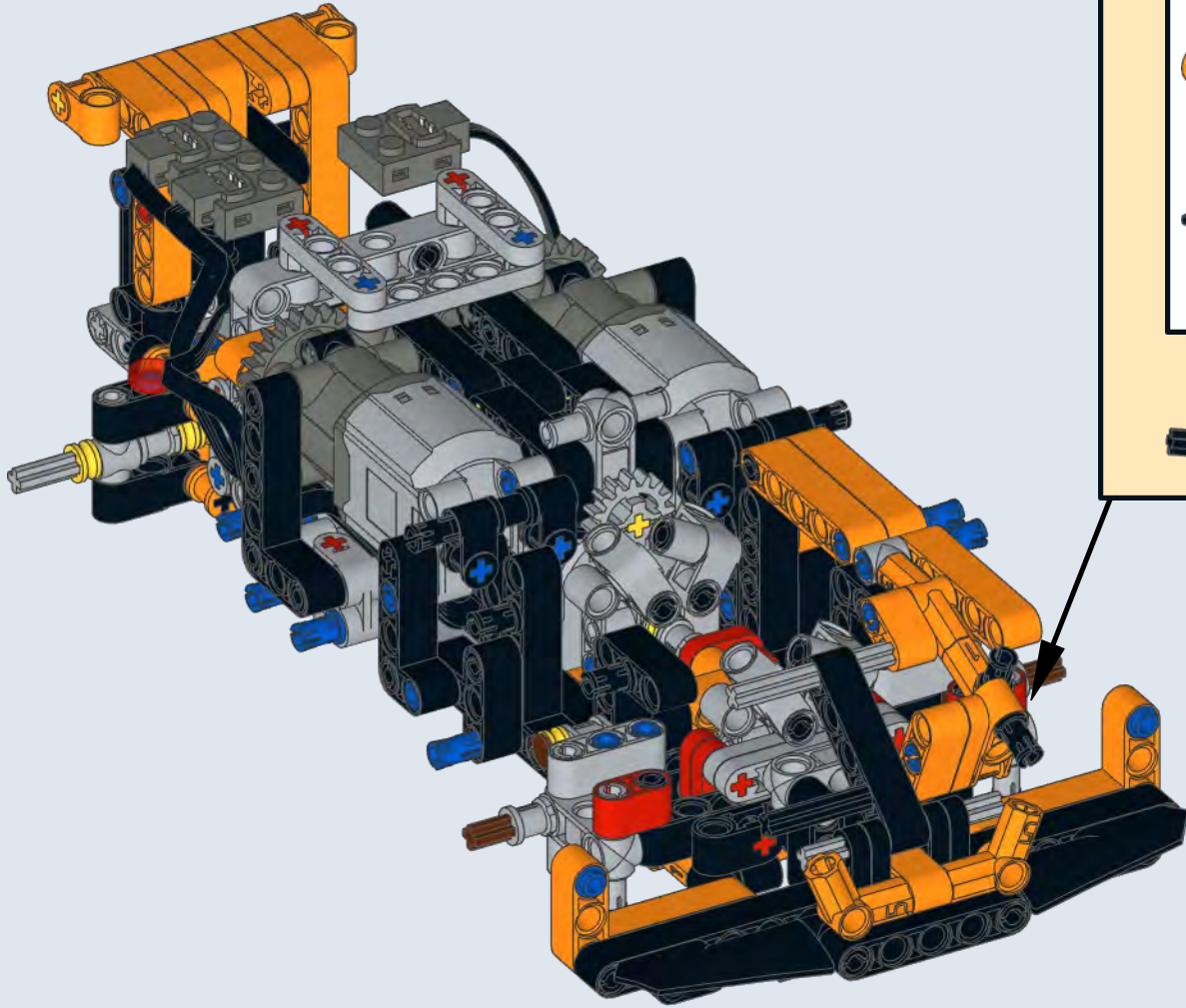


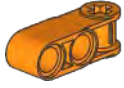


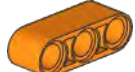



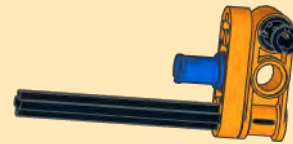







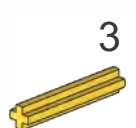




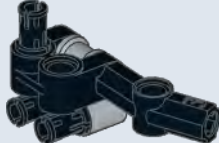
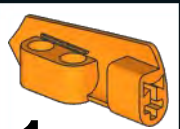
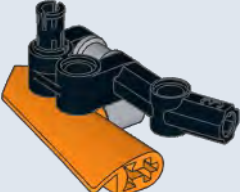
79

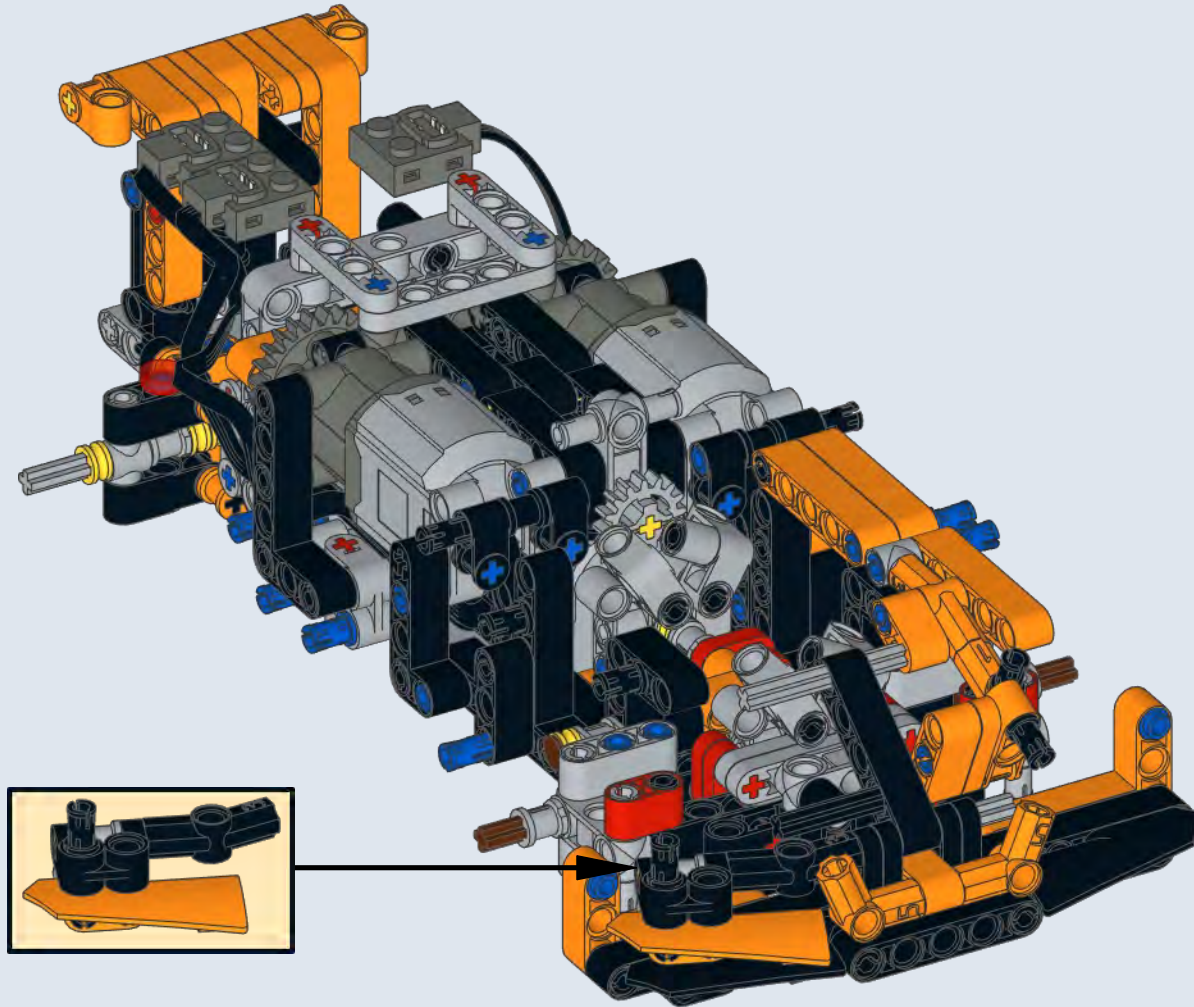




<b>1</b>	1x3  <b>1x</b>	<b>2</b>	 <b>1x</b>	 <b>1x</b>	<b>3</b>	 <b>1x</b>
	 <b>1x</b>					
	 <b>1x</b>					
						


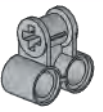



- 1**   
**1x 1x** 
- 2**   
**1x** 
- 3**   
**2x** 
- 4**   
**1x 1x** 
- 5**   
**1x** 

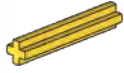




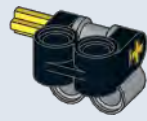
- 1**


	
<b>1x</b>	<b>1x</b>



- 2**




<b>1x</b>

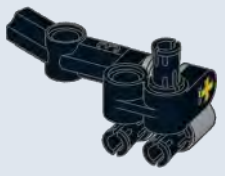
3



- 3**

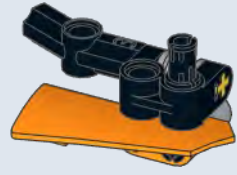

<b>2x</b>

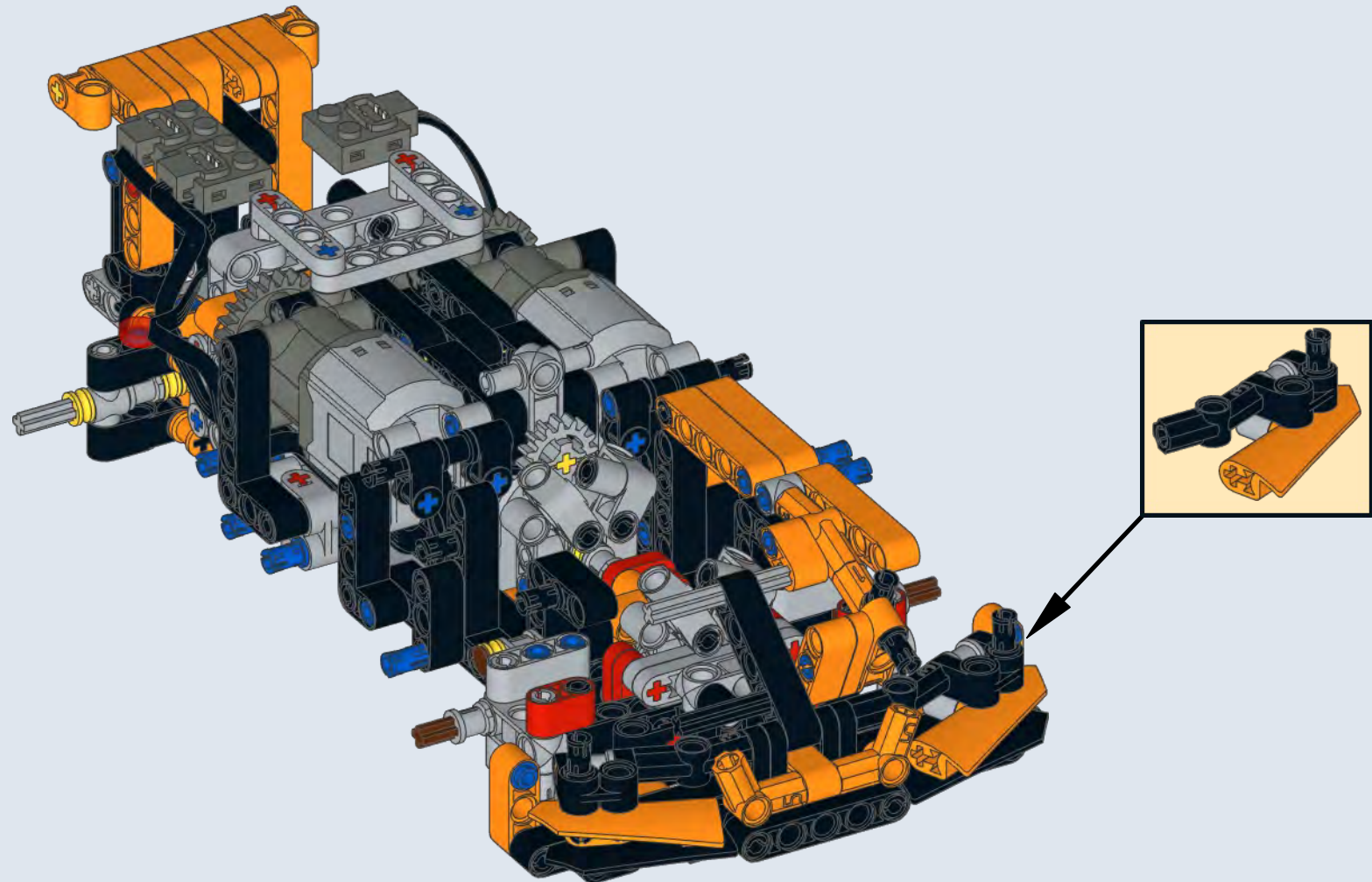

- 4**

	
<b>1x</b>	<b>1x</b>


- 5**

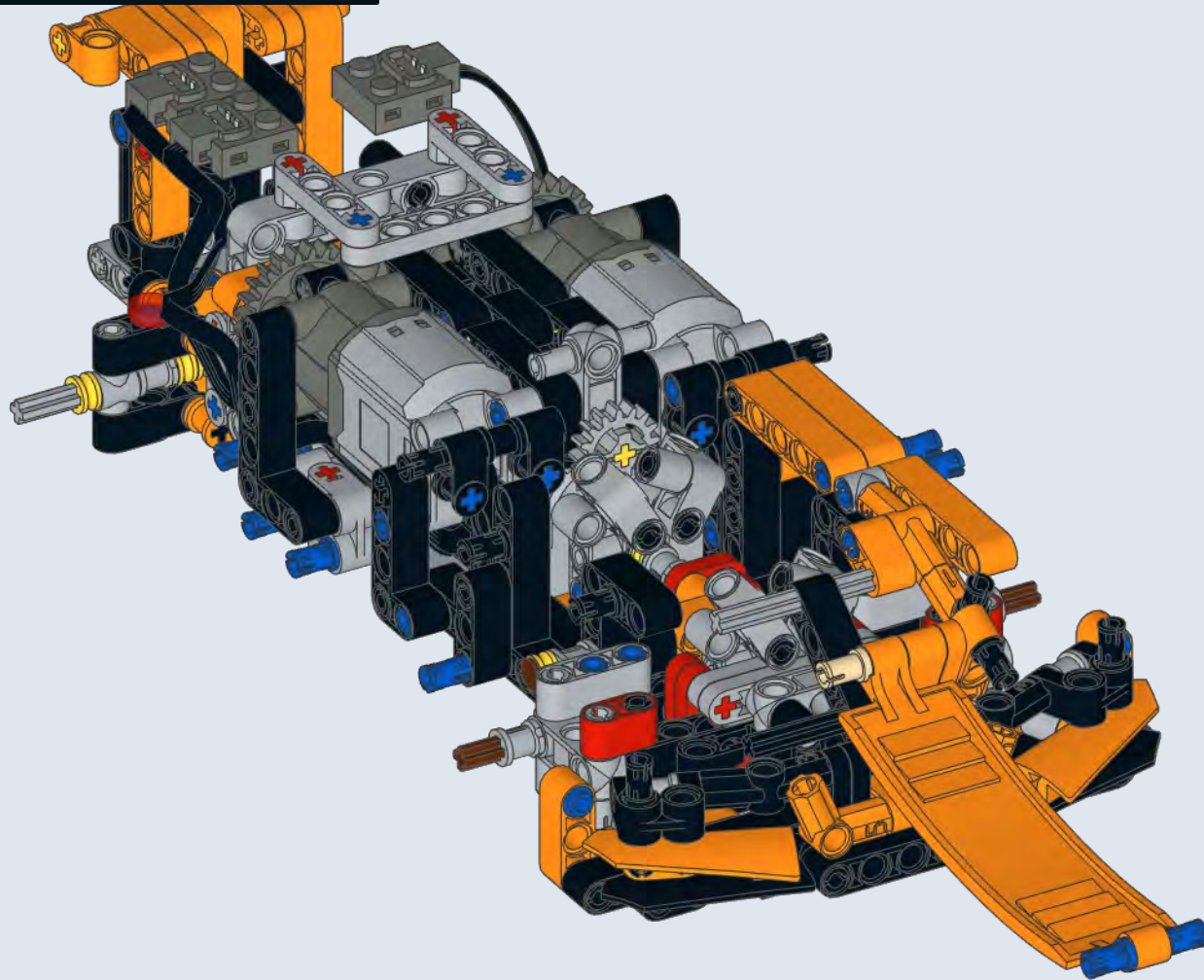
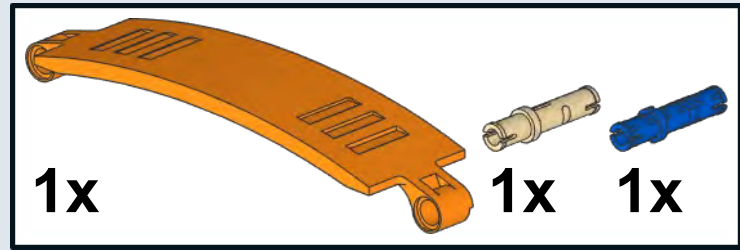

<b>1x</b>





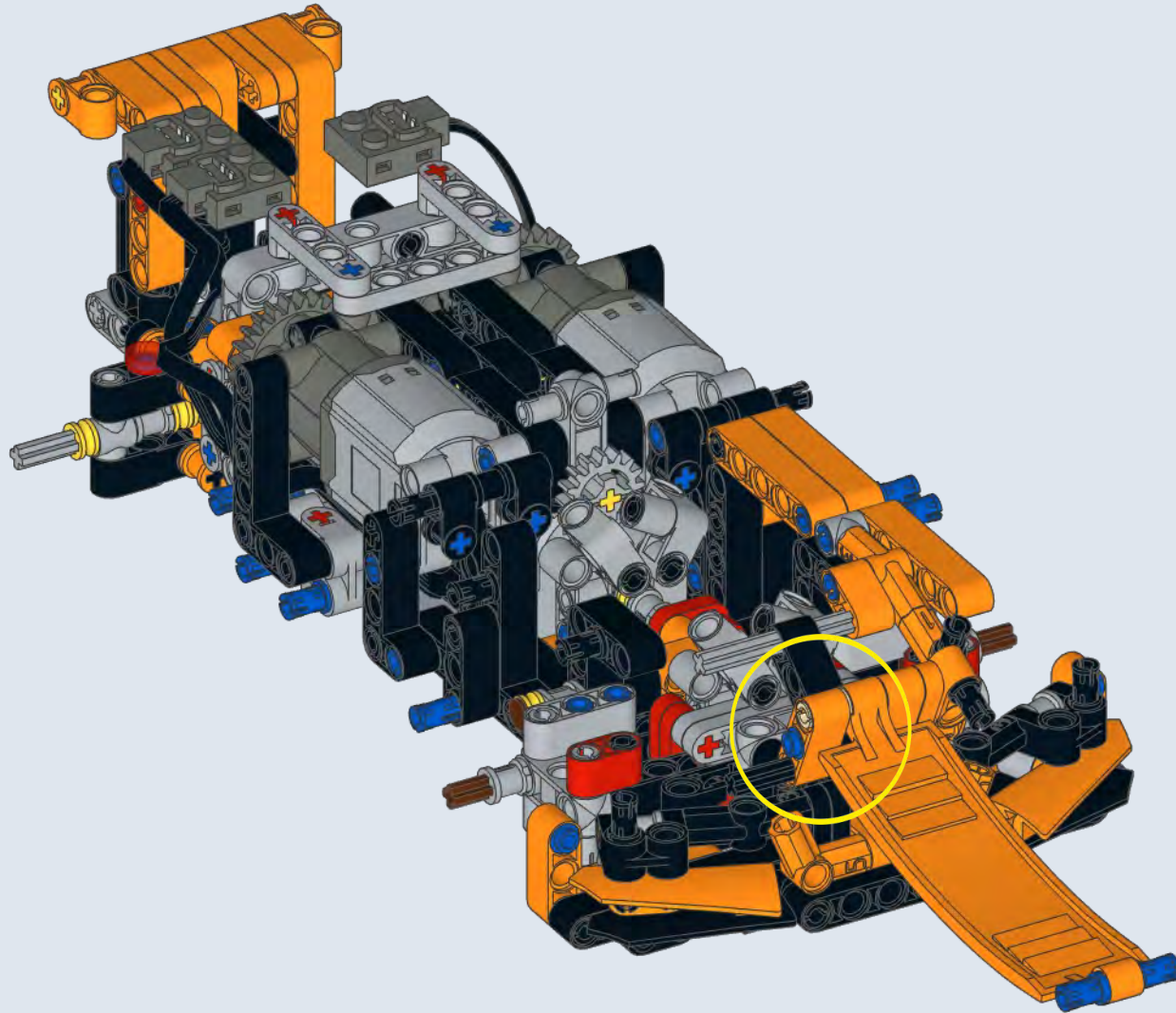
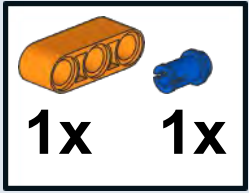


83





84



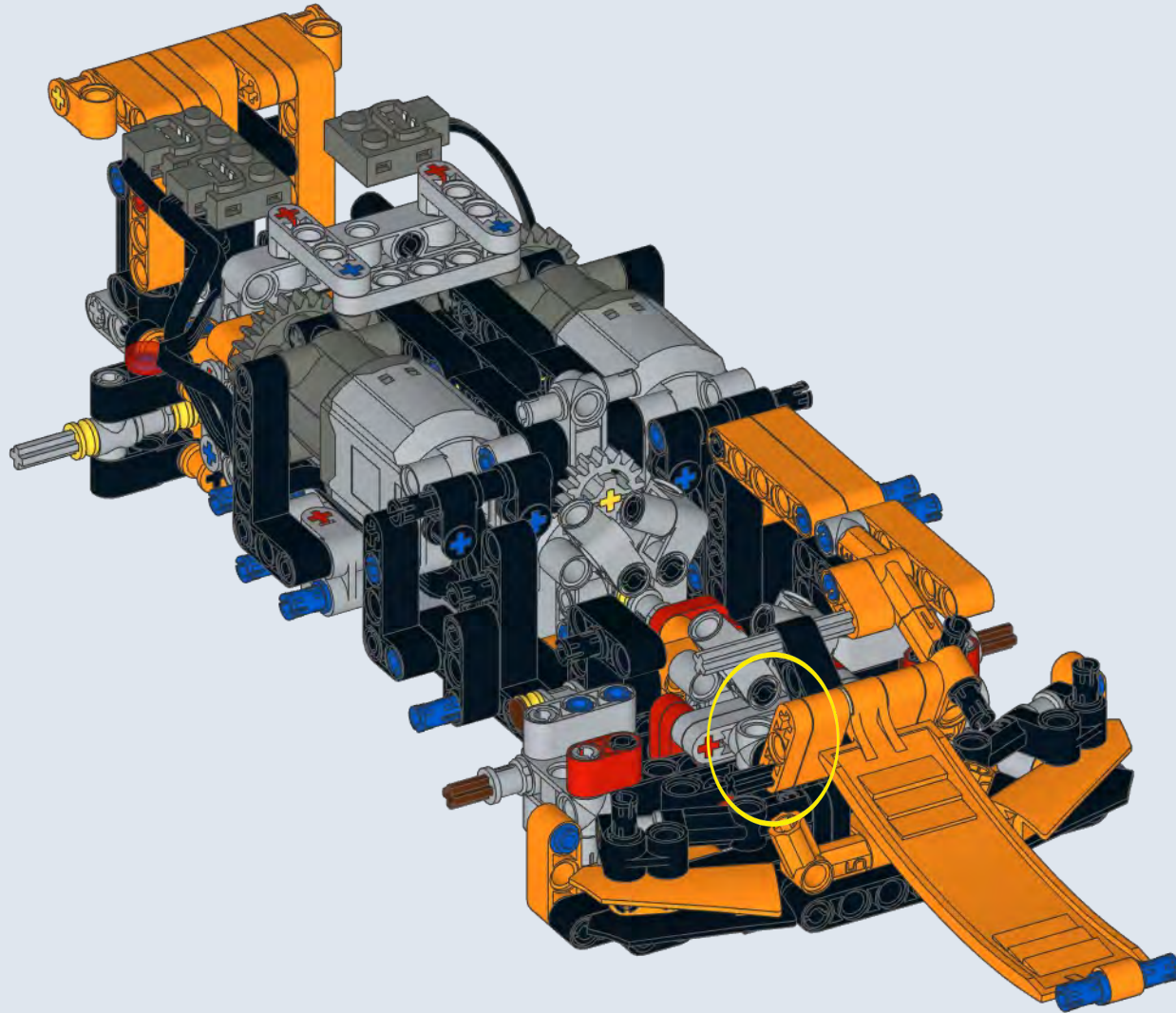




85

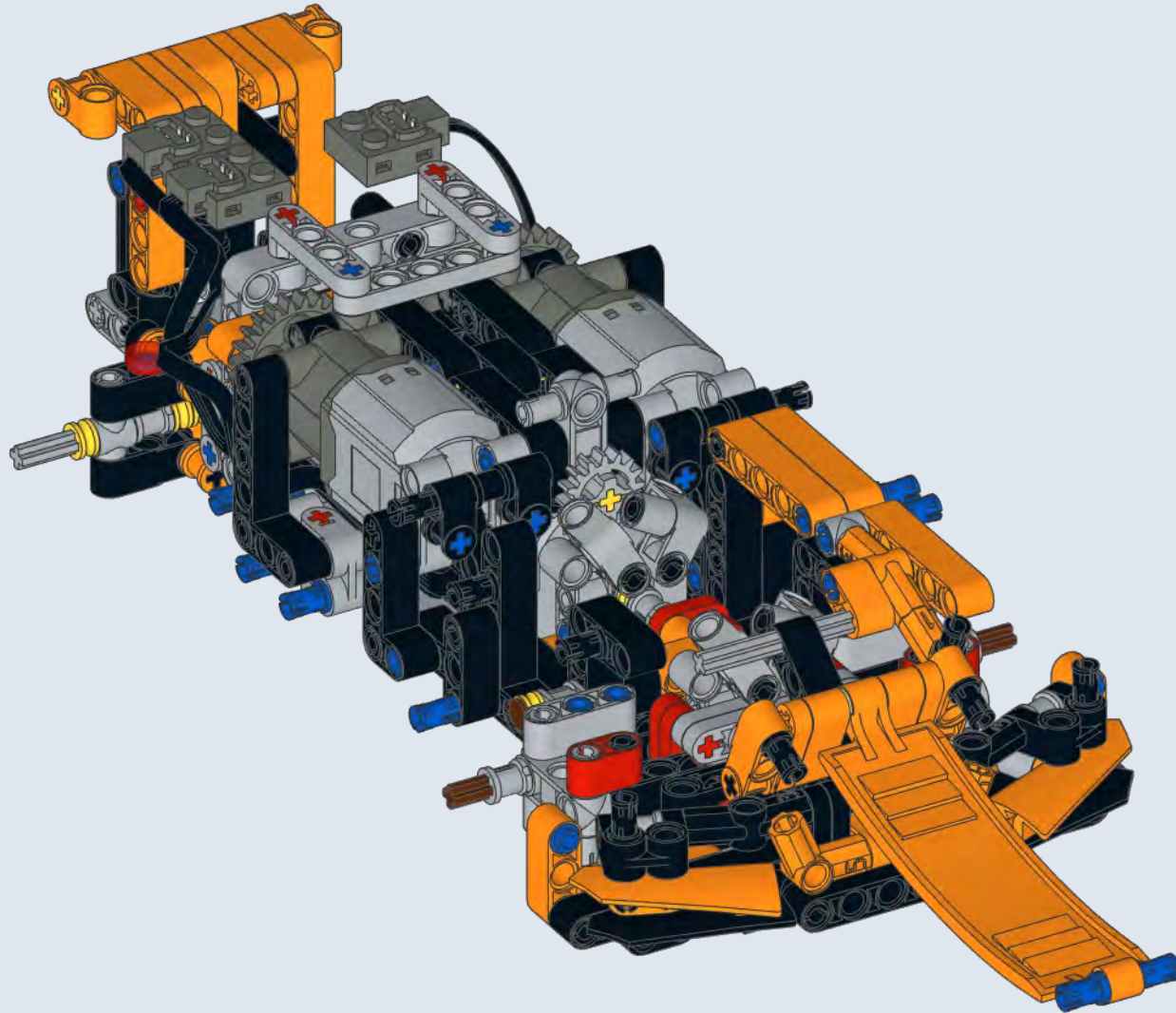
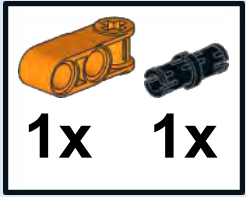


1x



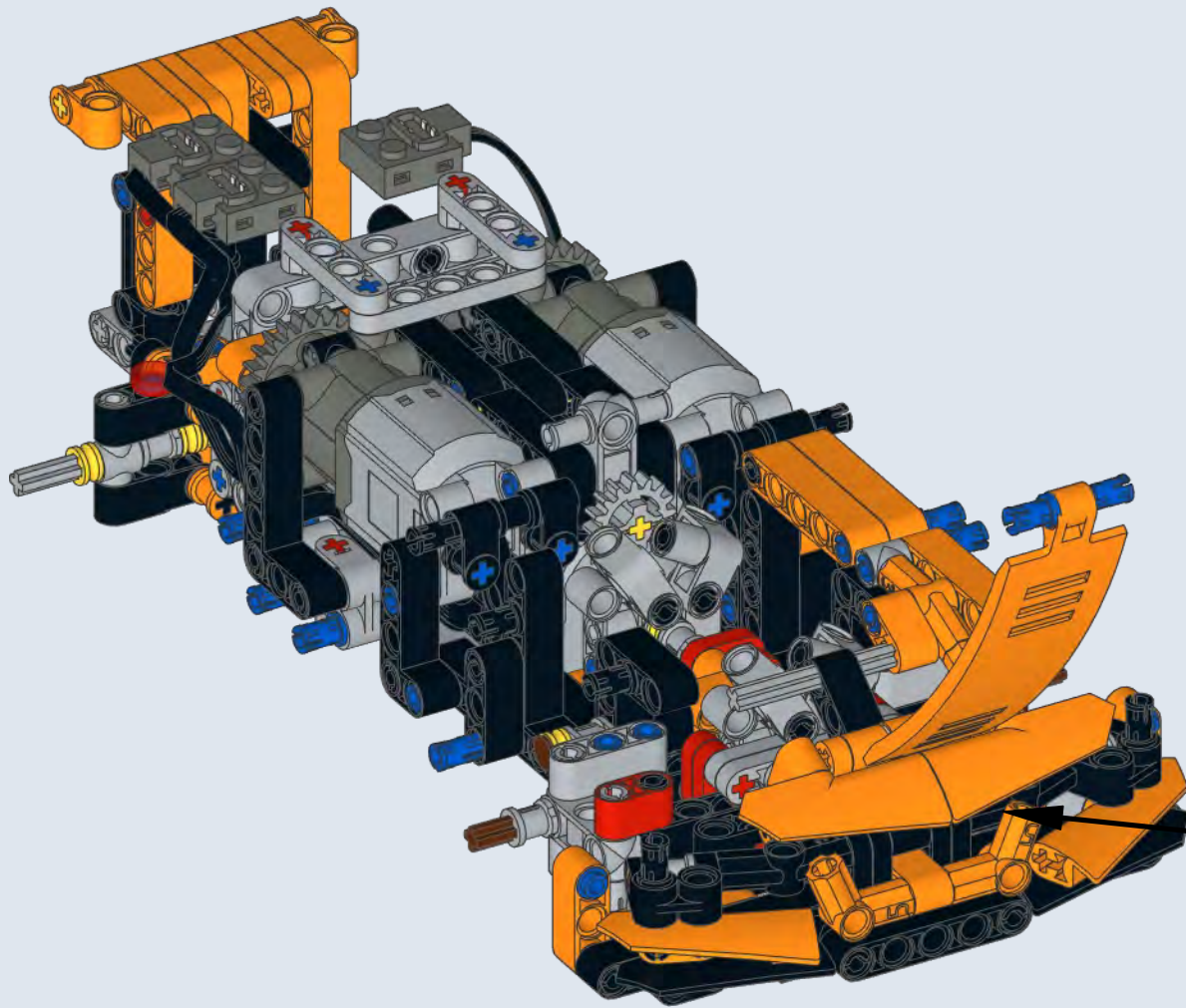


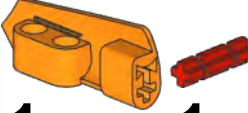

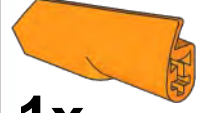
86




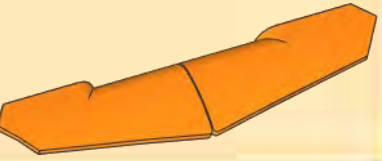


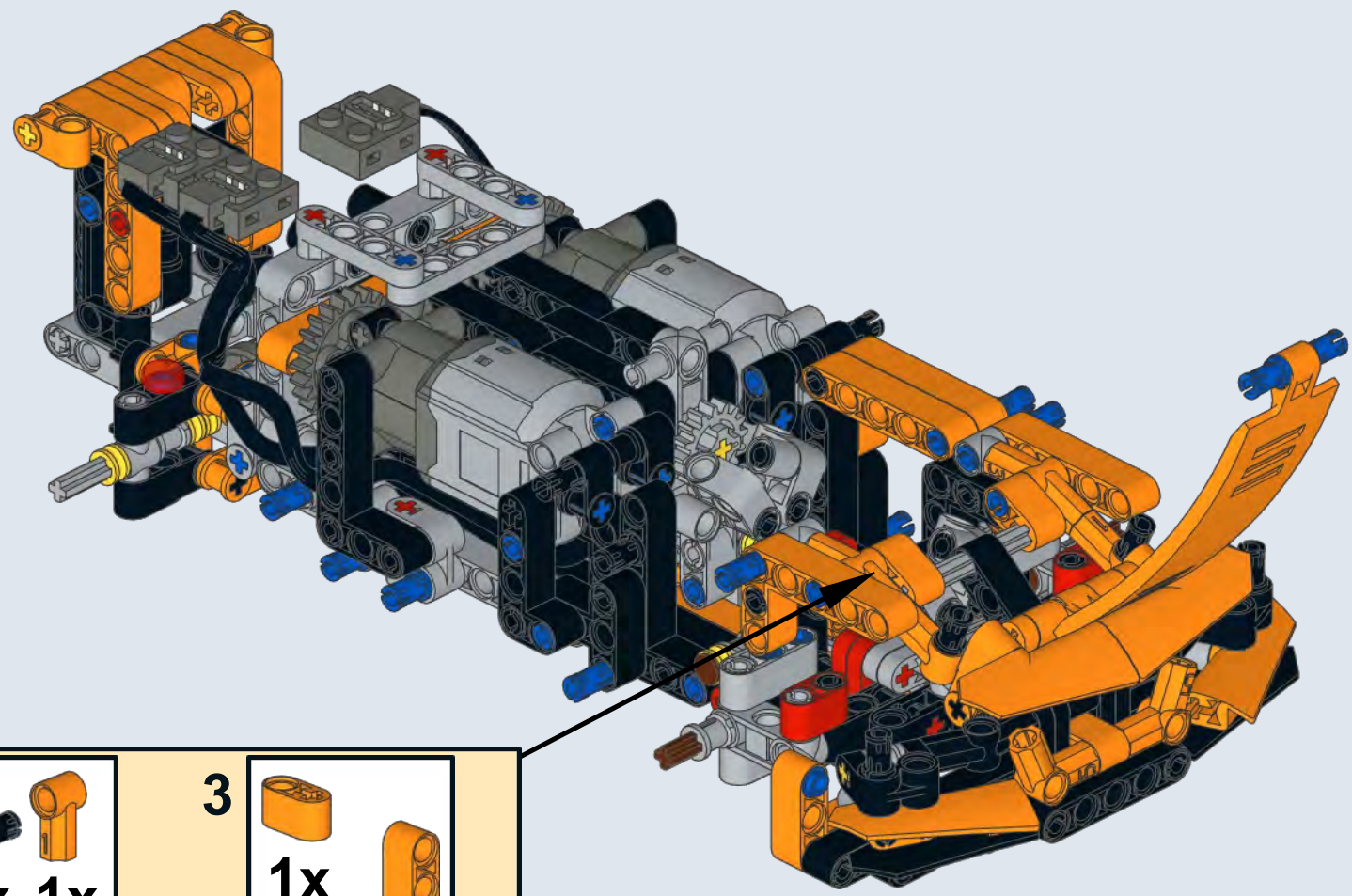
87



<b>1</b>		<b>1x</b>		<b>1x</b>
<b>2</b>		<b>1x</b>		

	
---	---

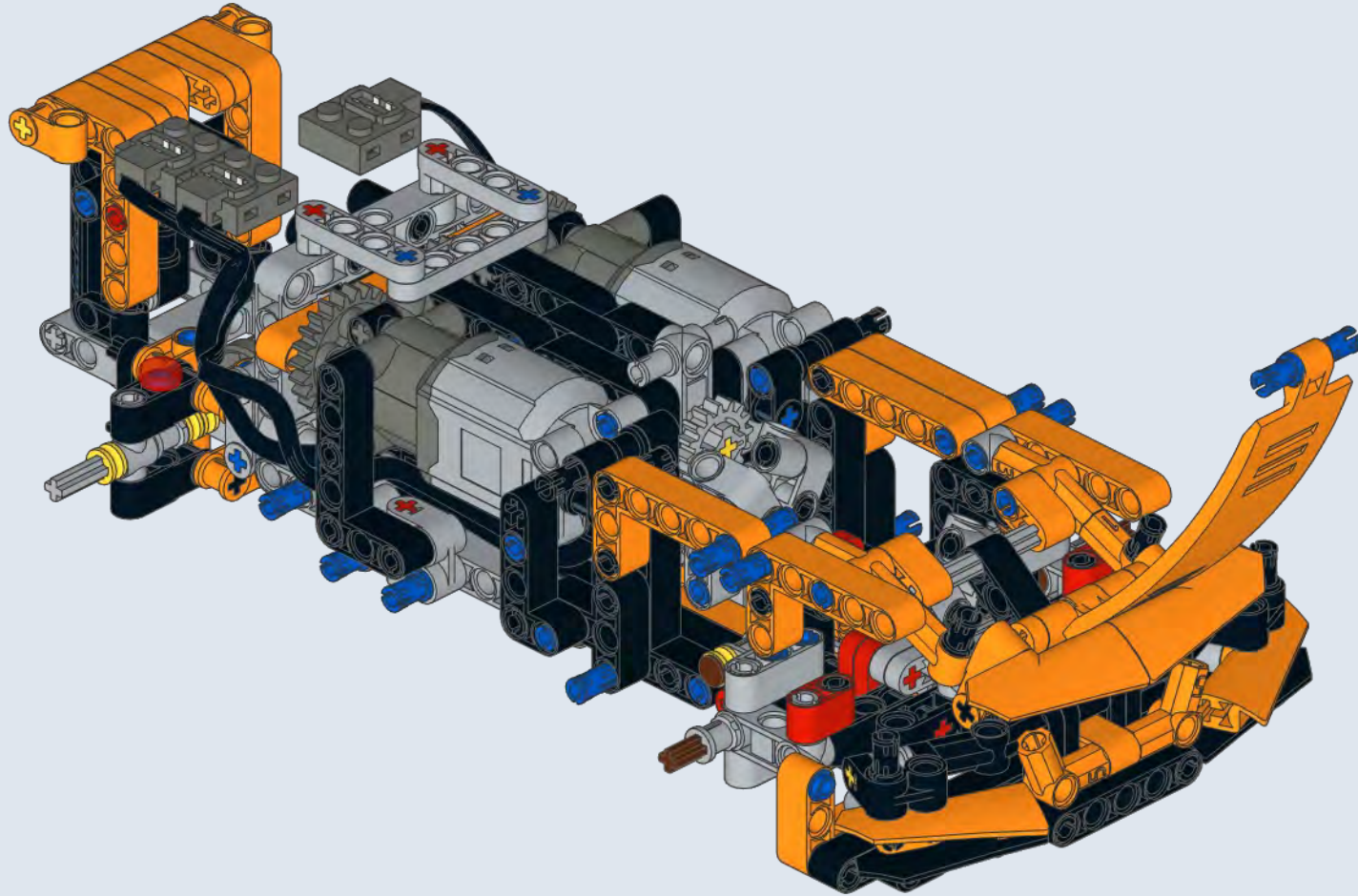


<b>1</b>  2x 1x 1x 1x	<b>2</b>  1x 1x	<b>3</b>  1x 1x



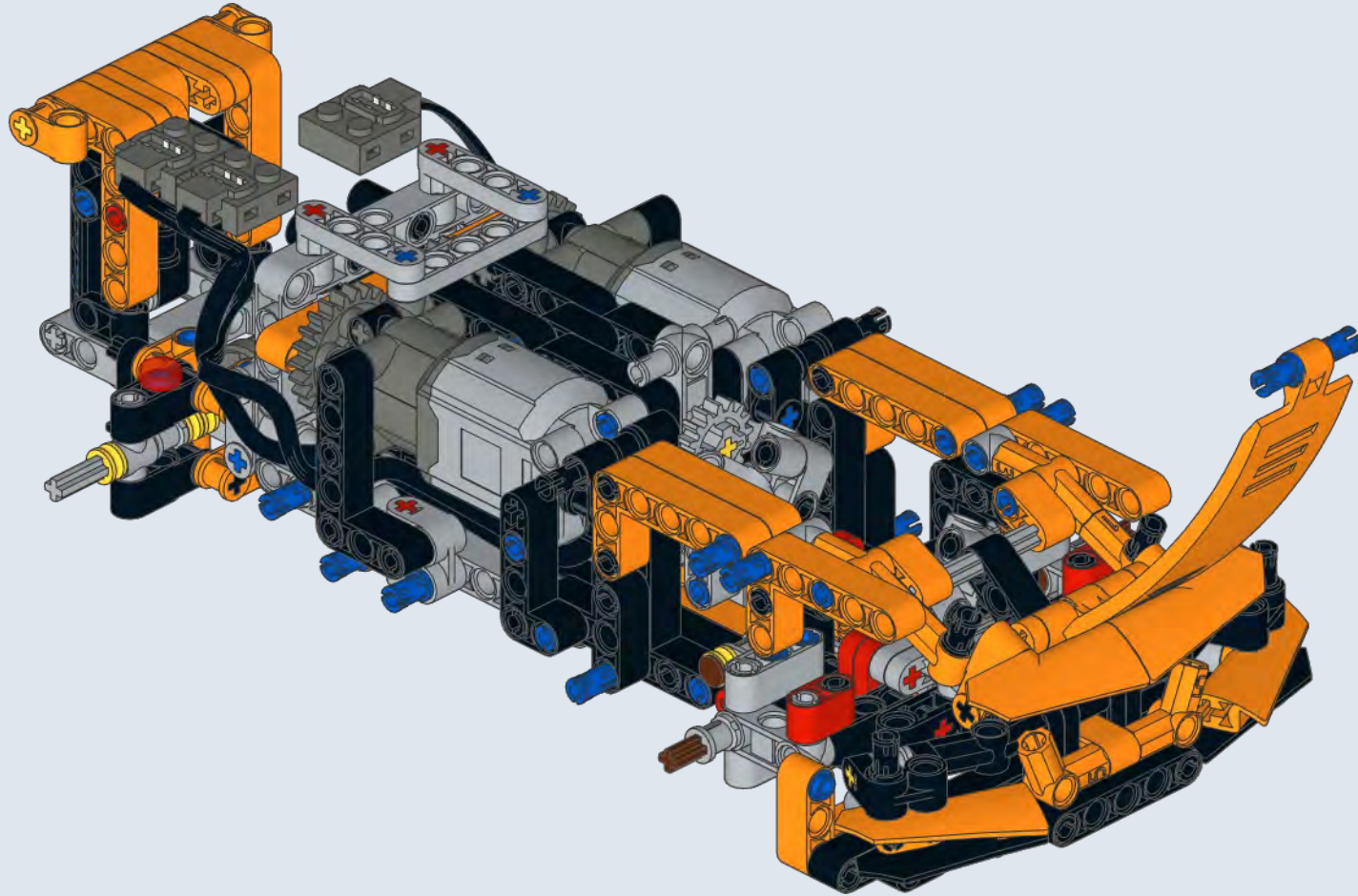
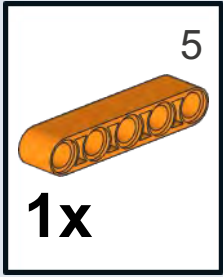
89

1x  
1x  
1x





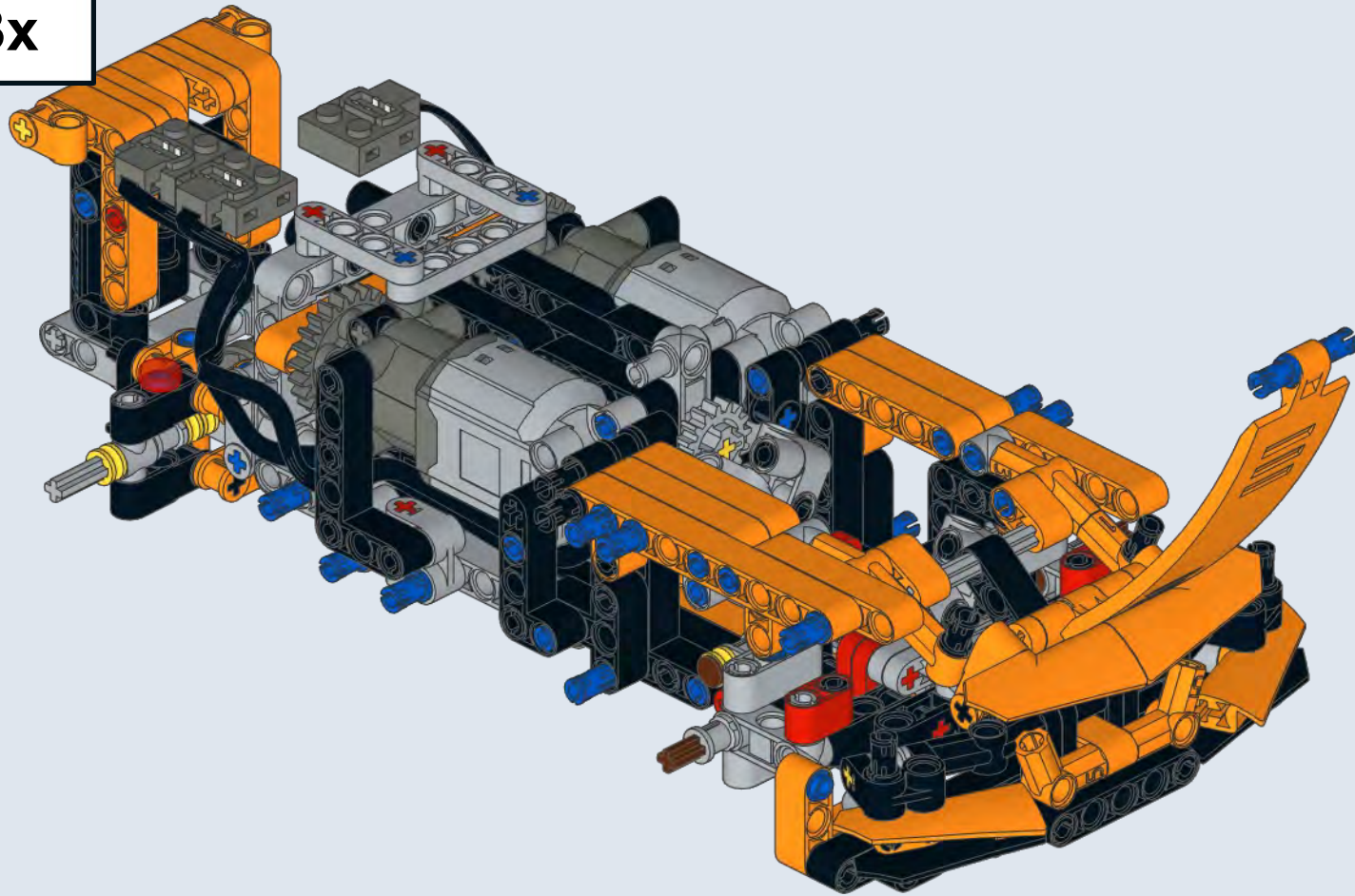
90





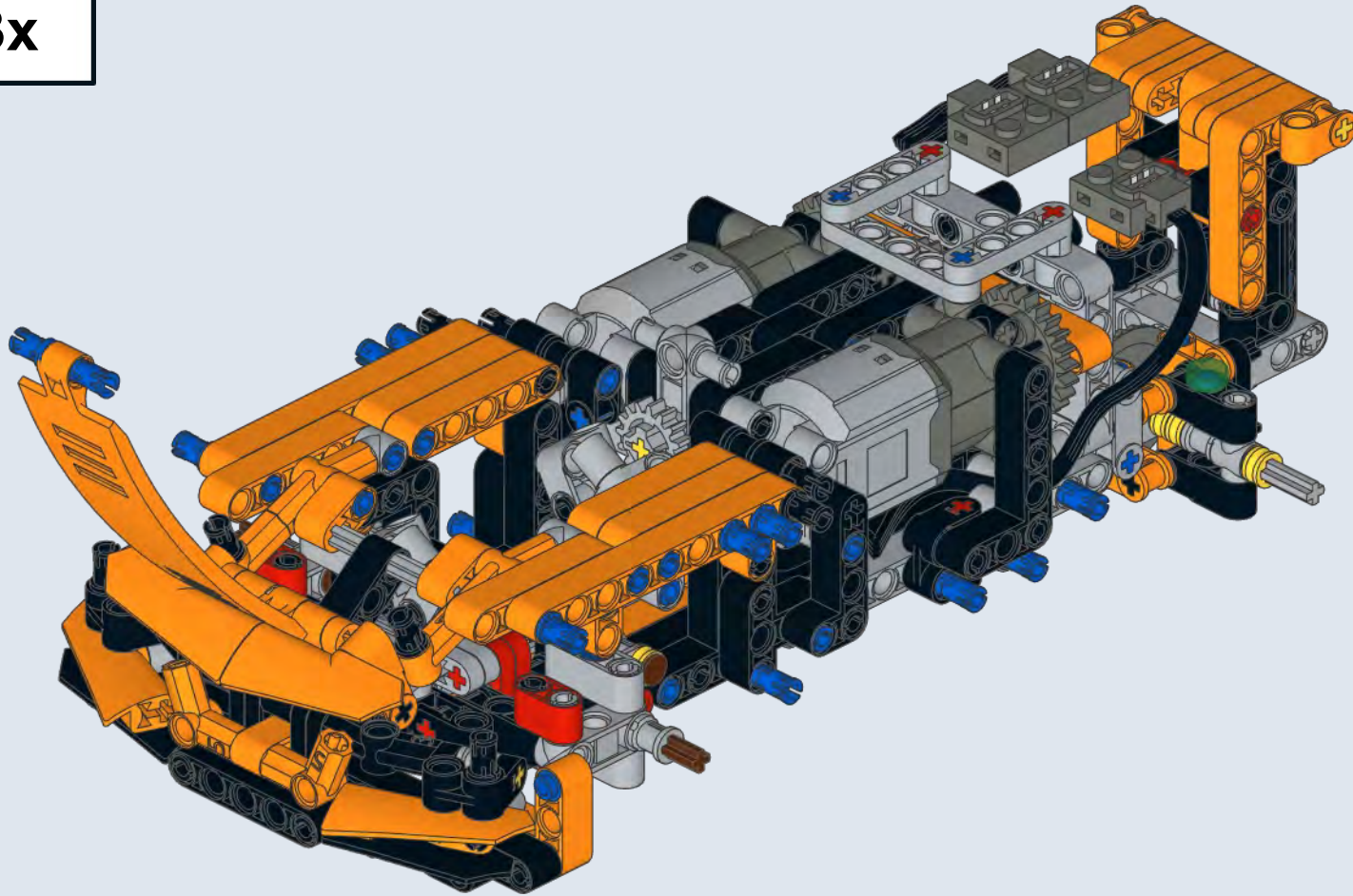
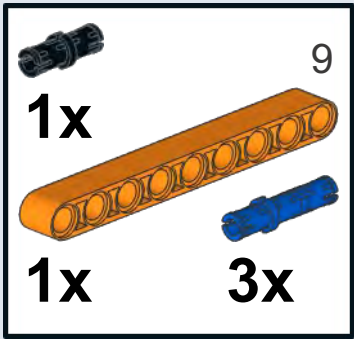
91

	9
1x	
1x	
3x	





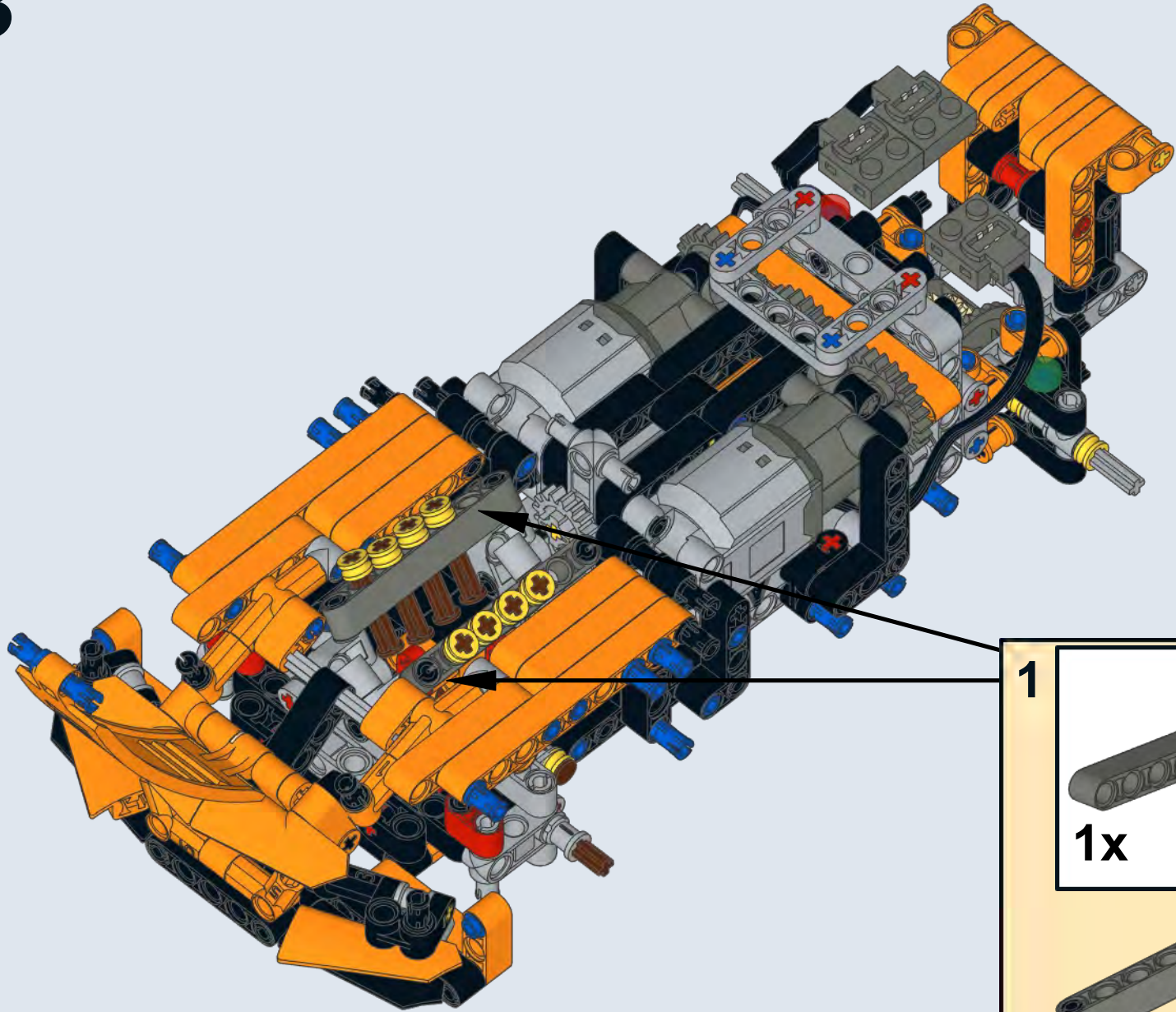
92



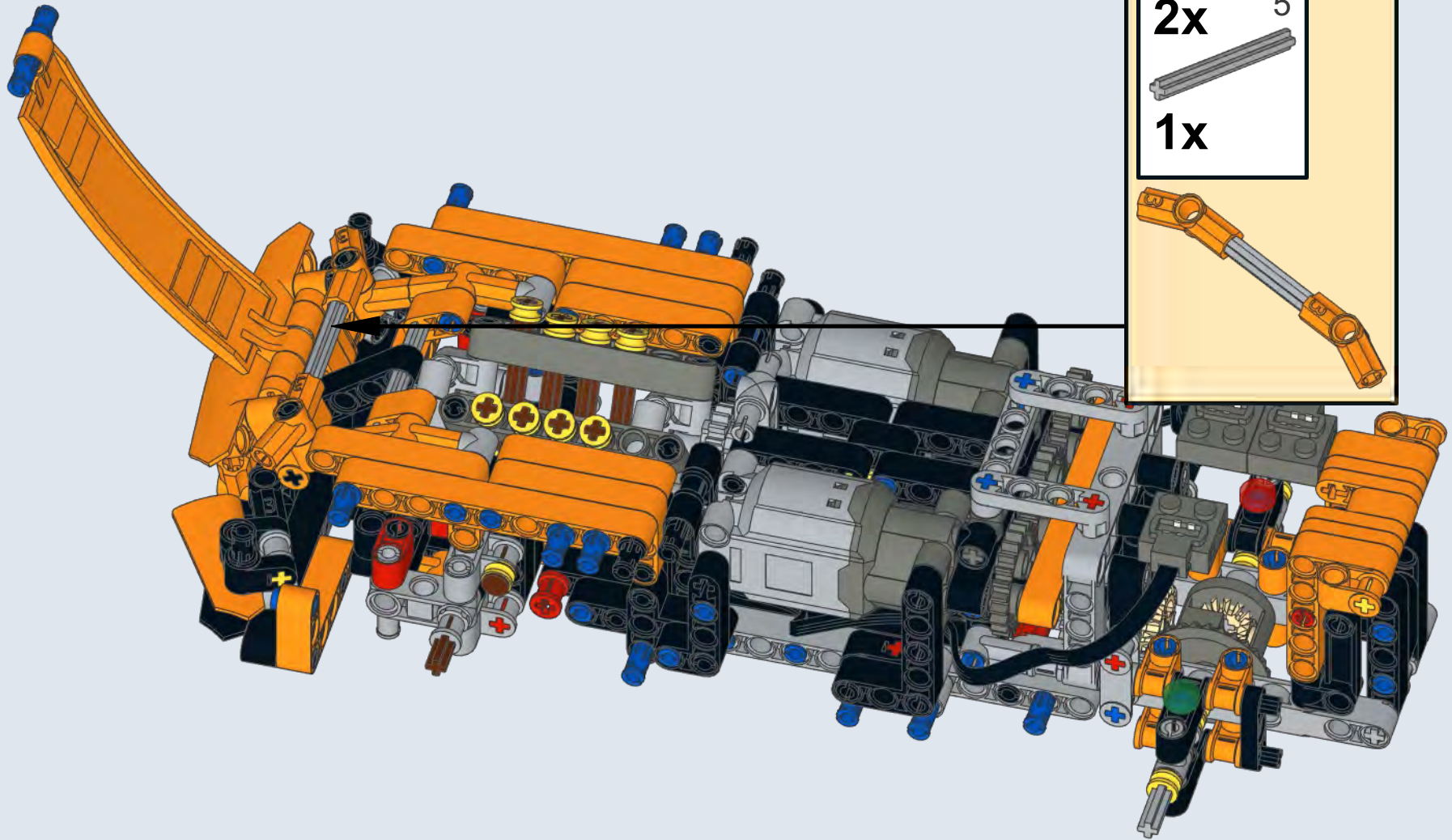




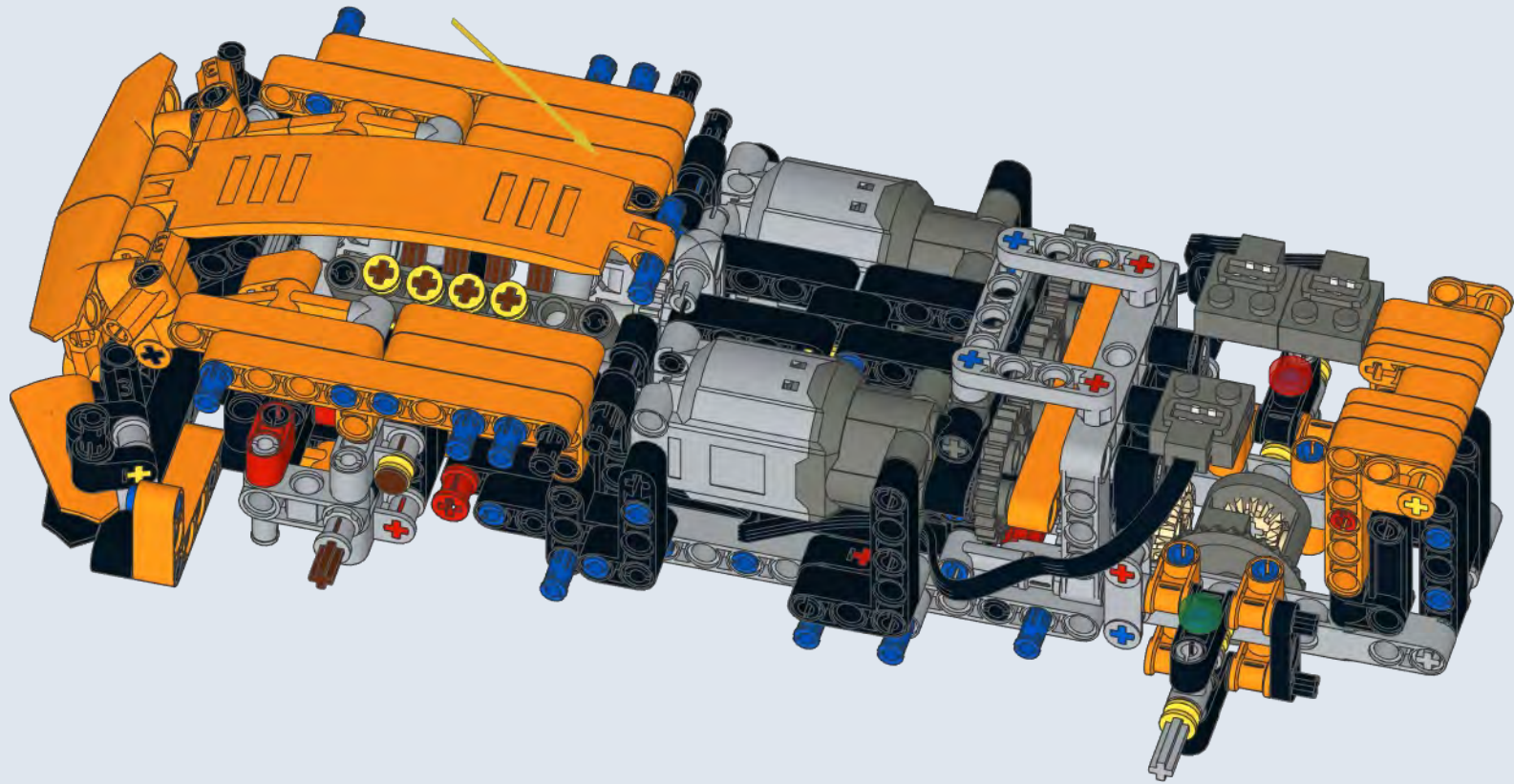
93



<b>1</b>	<b>7</b>	<b>2</b>
<b>1x</b>	<b>2x</b>	
		<b>4x</b>
		<b>x2</b>

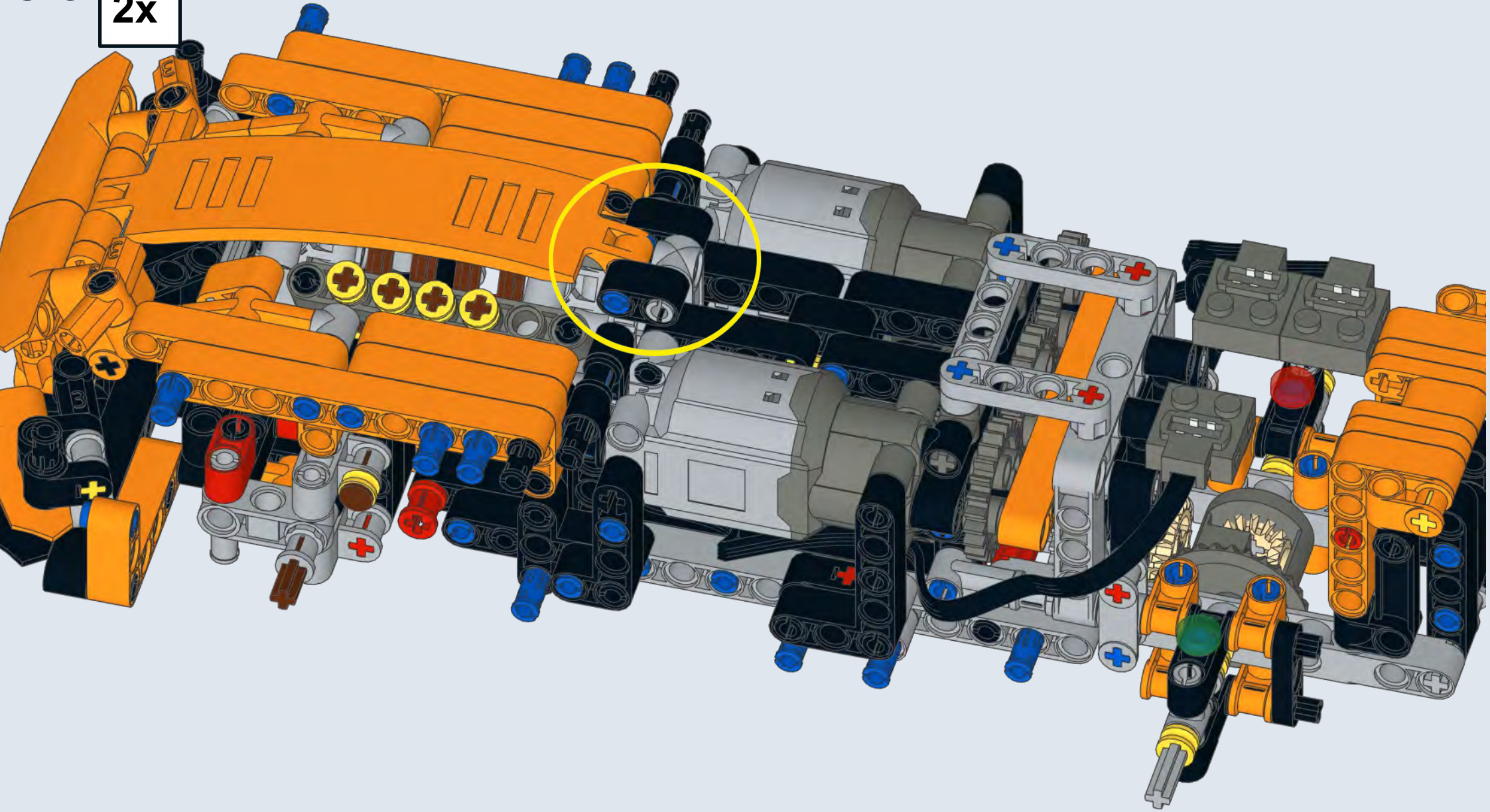


#3	
2x	
5	
1x	



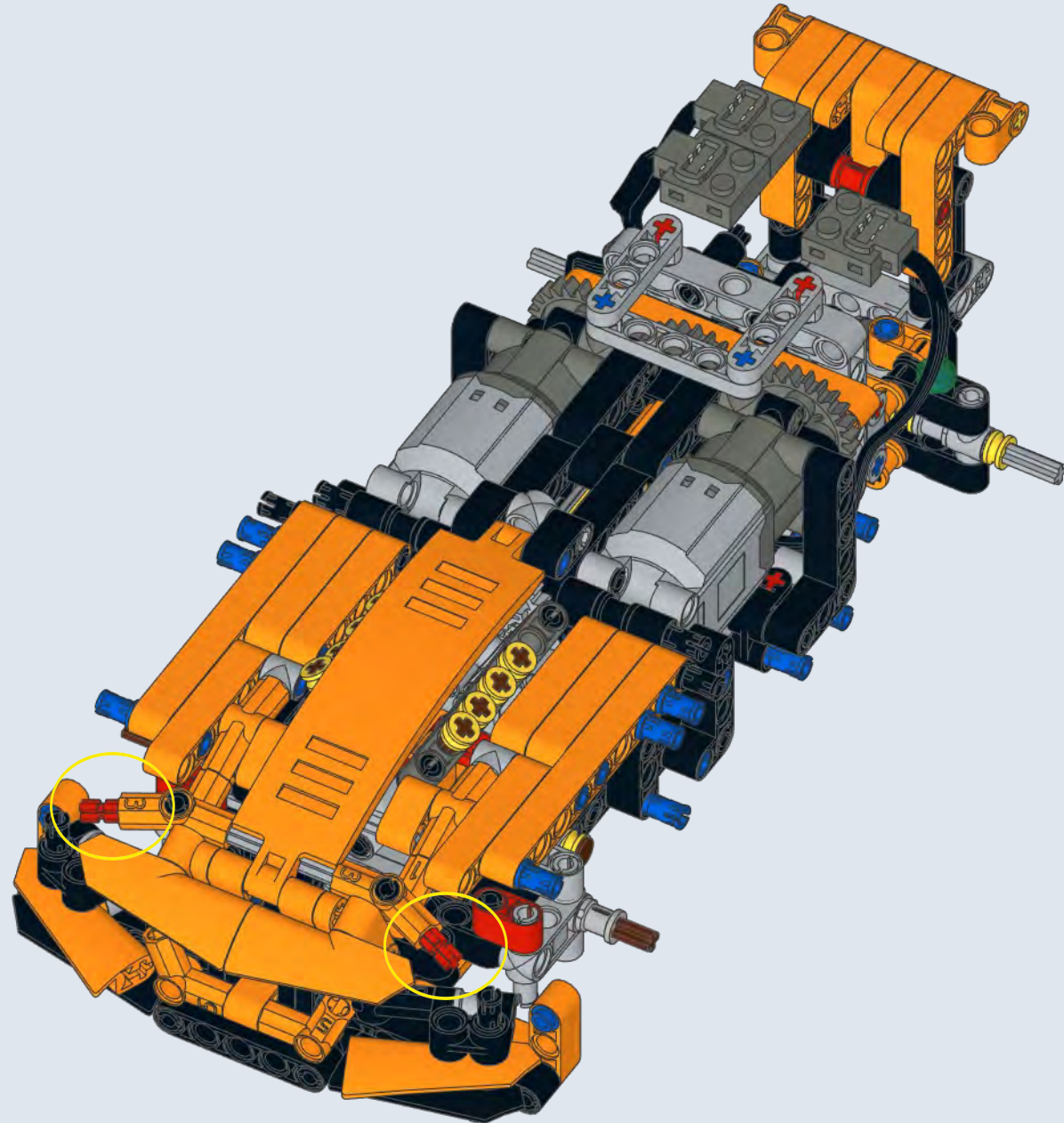


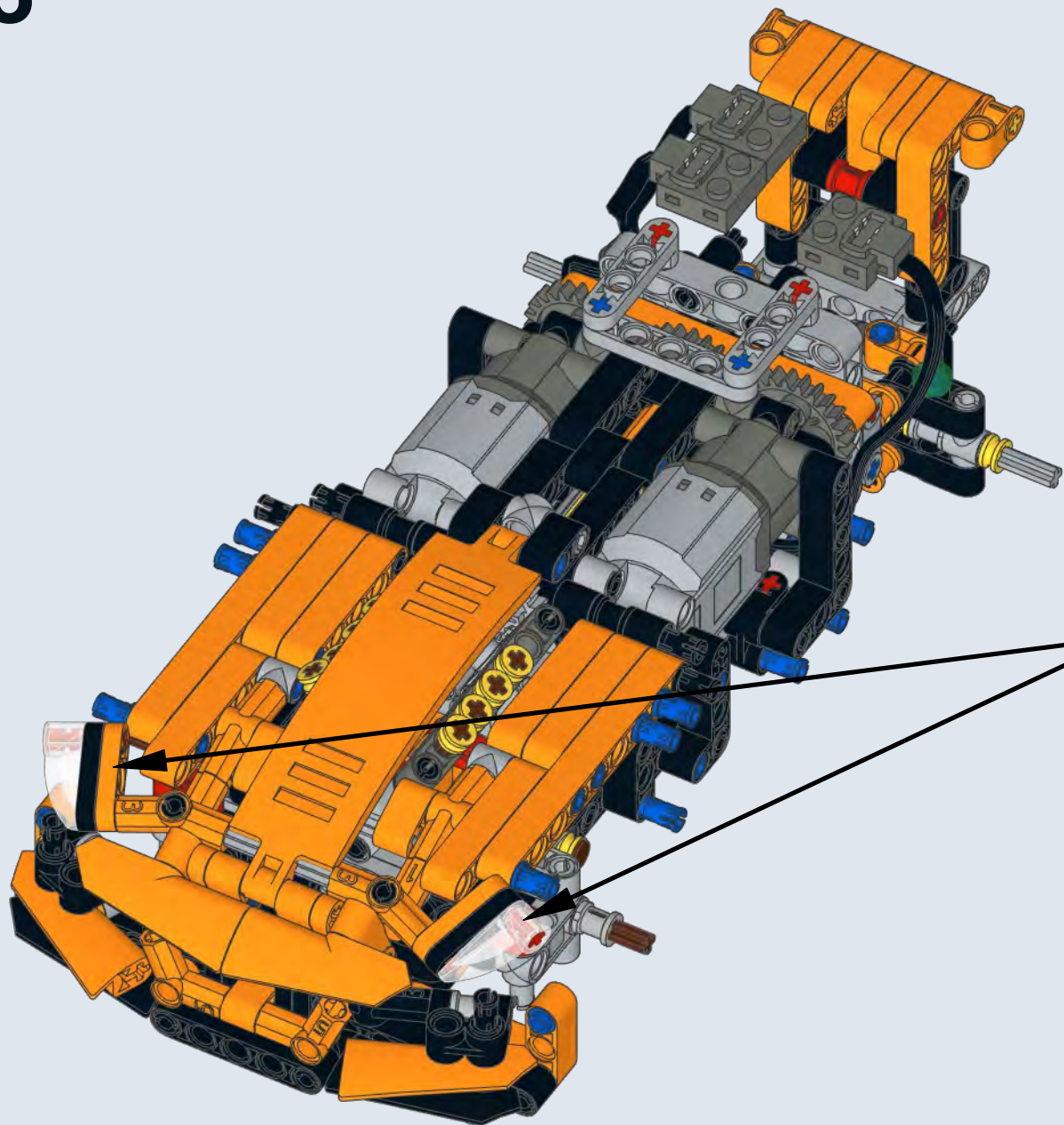
96



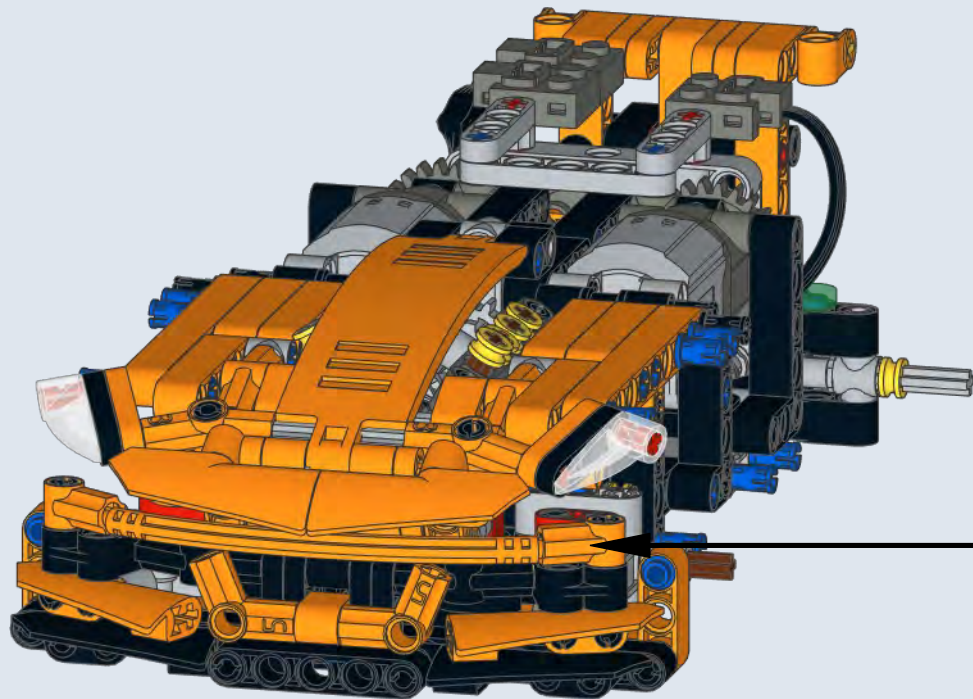


97

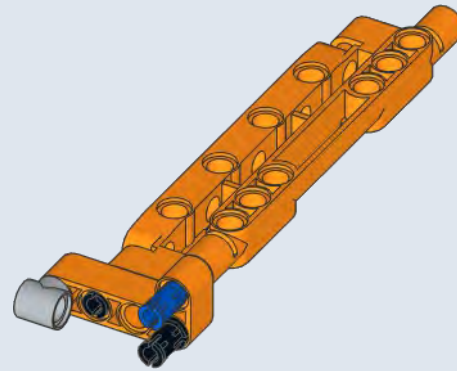
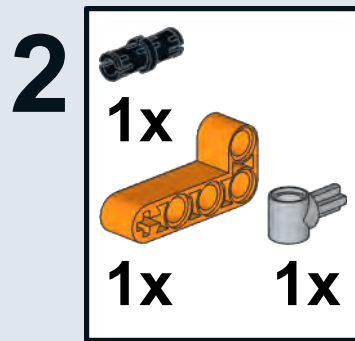
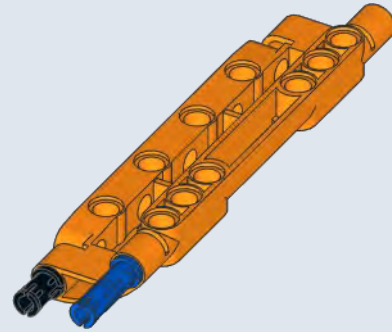
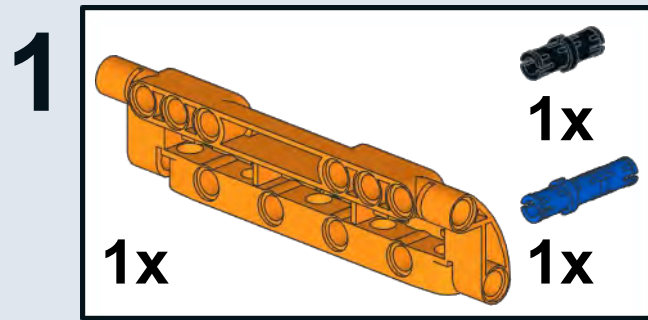




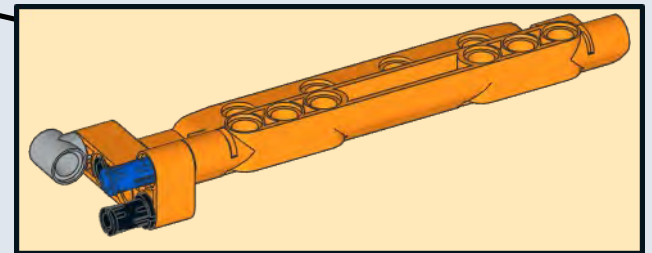
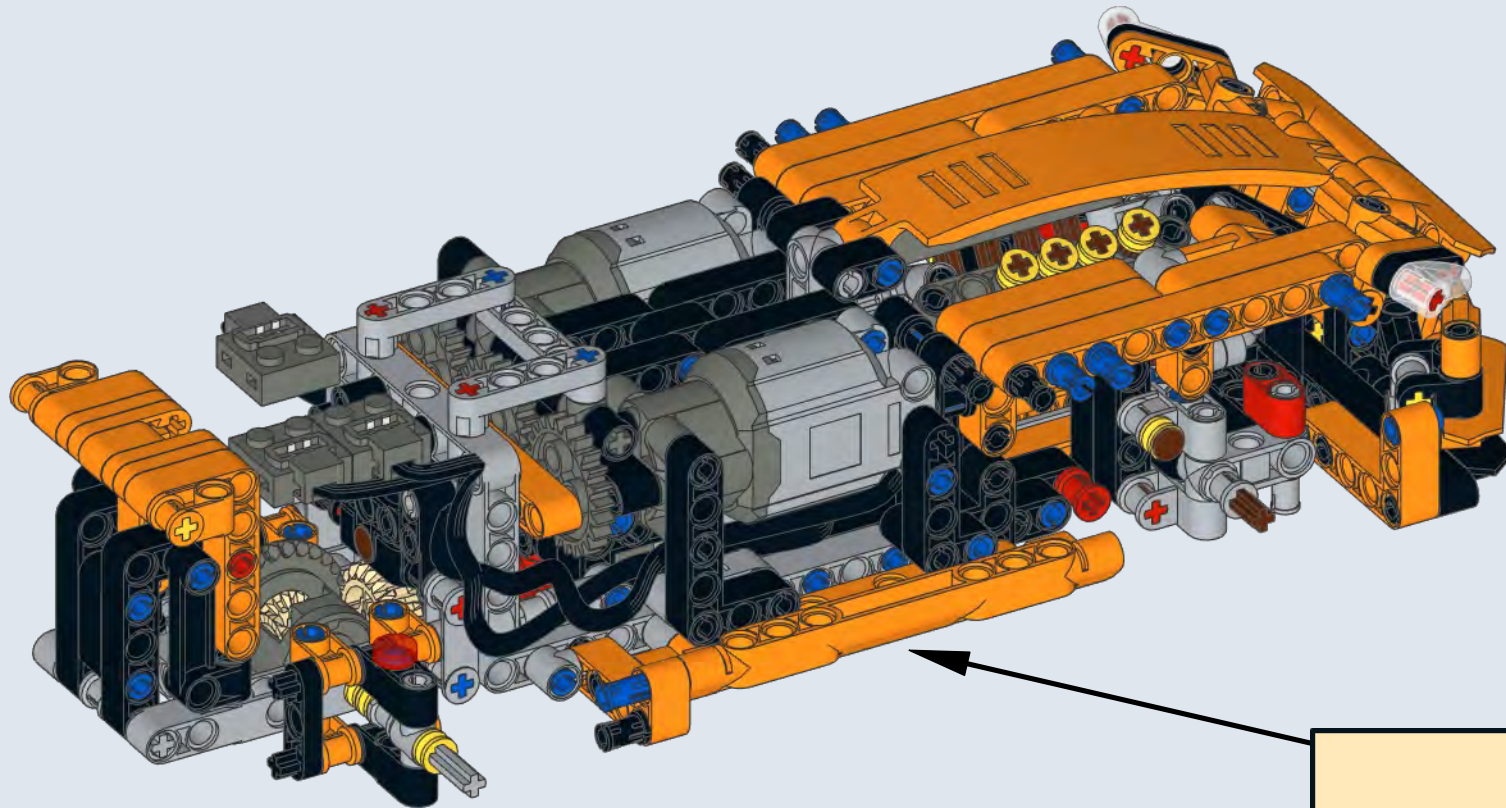
<b>1</b>		<b>2</b>		<b>3</b>	
	<b>1x 1x</b>		<b>1x</b>		<b>1x</b>
					<b>x2</b>

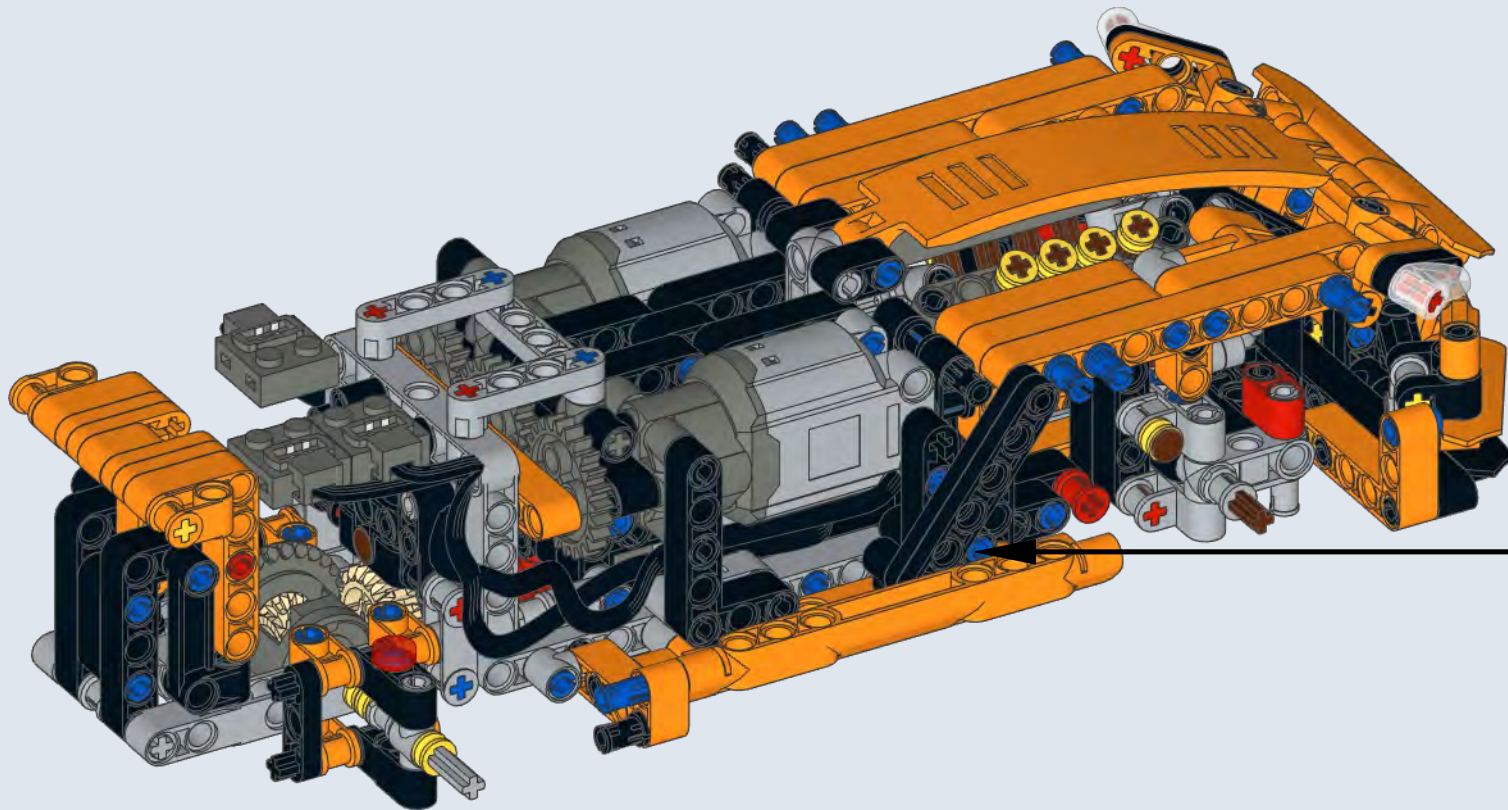






1x 2x





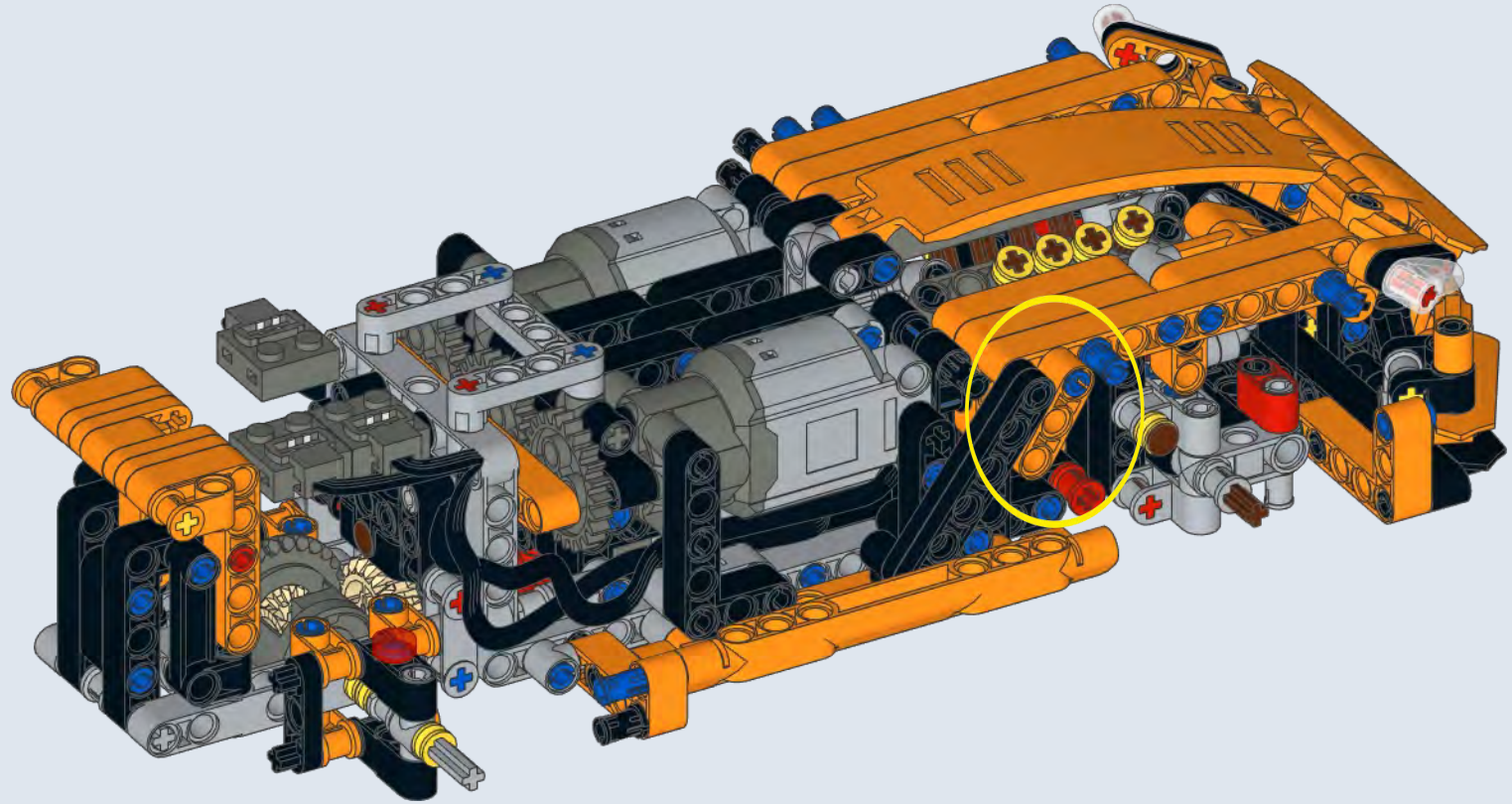


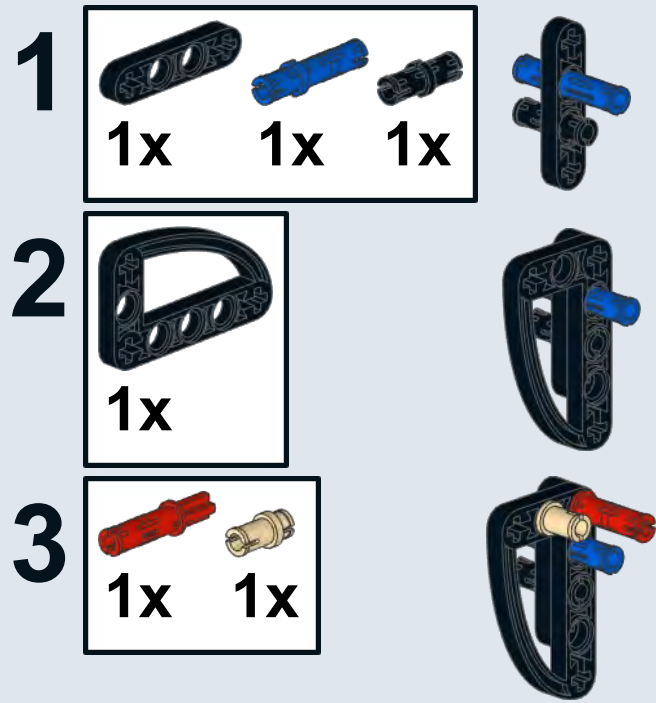



<b>1x</b>

<b>1x</b>

<b>2x</b>


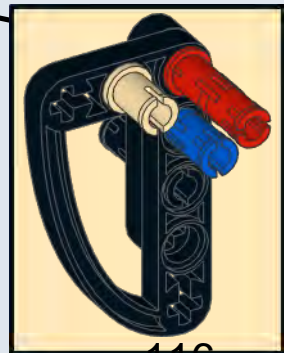
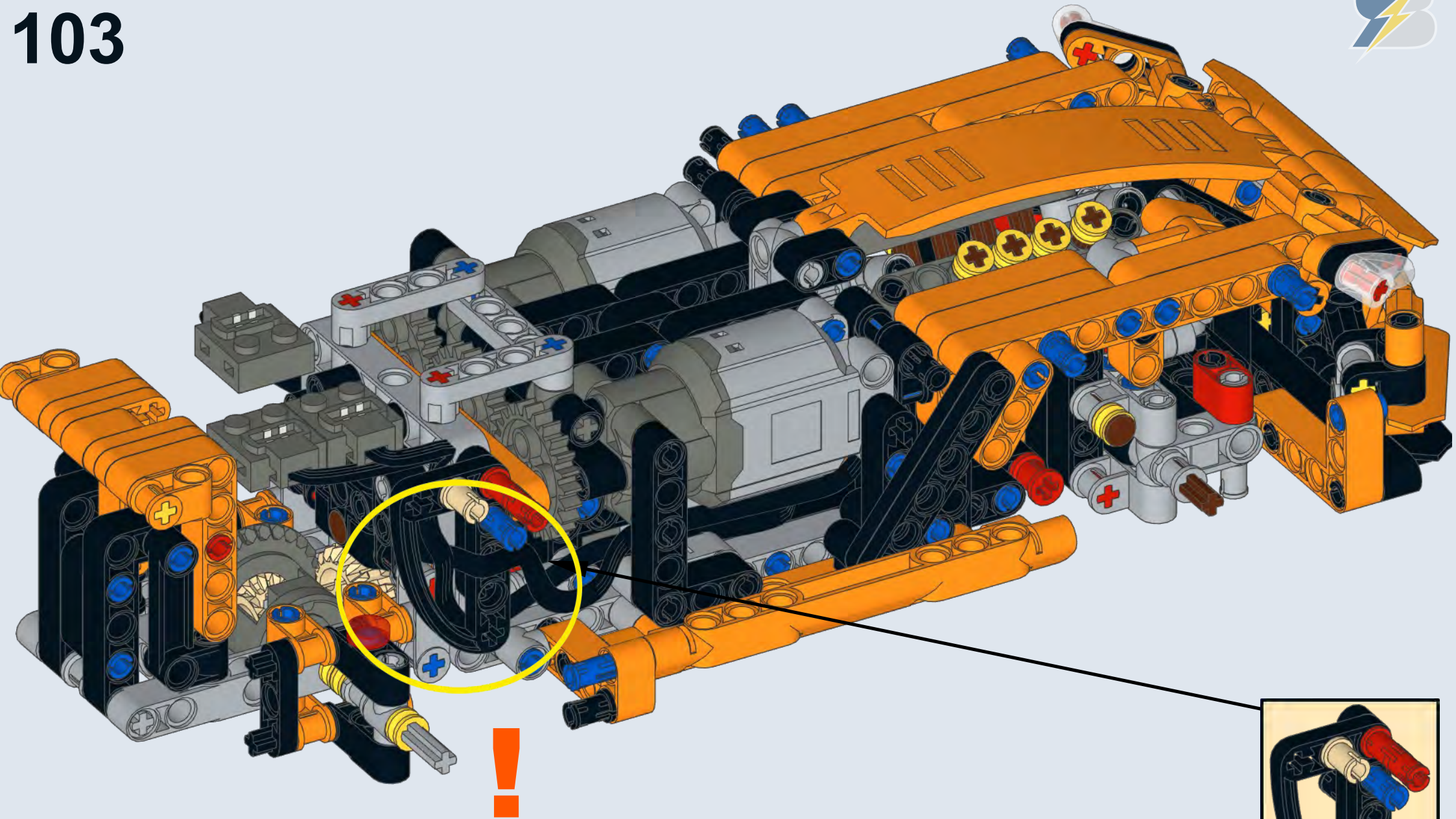


102





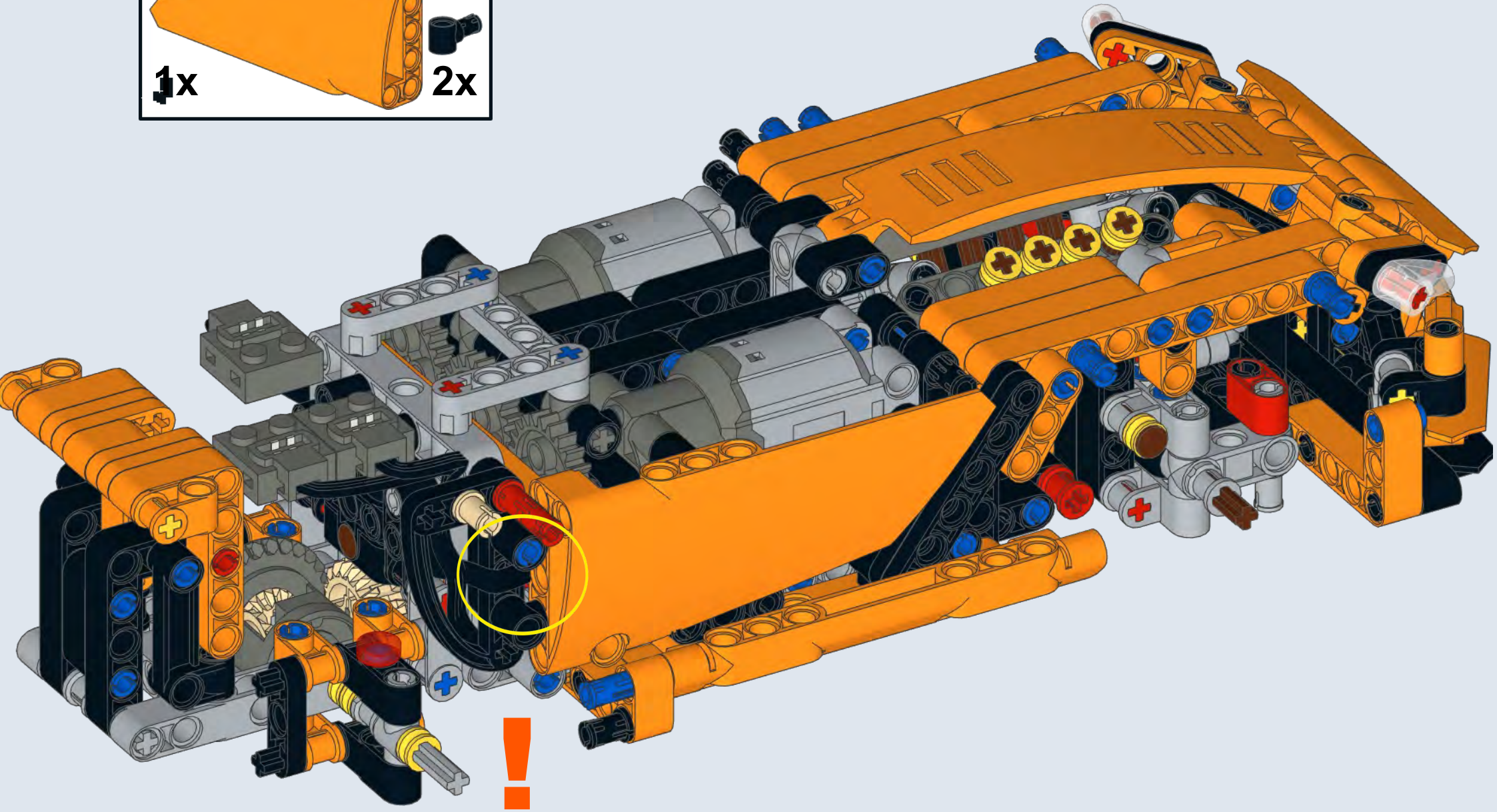
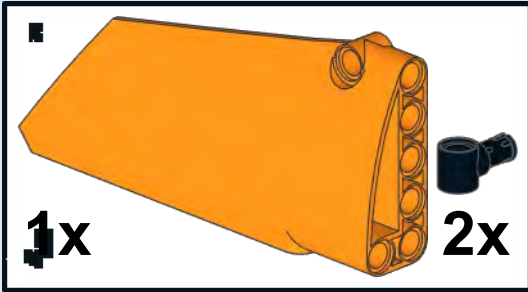
103



116

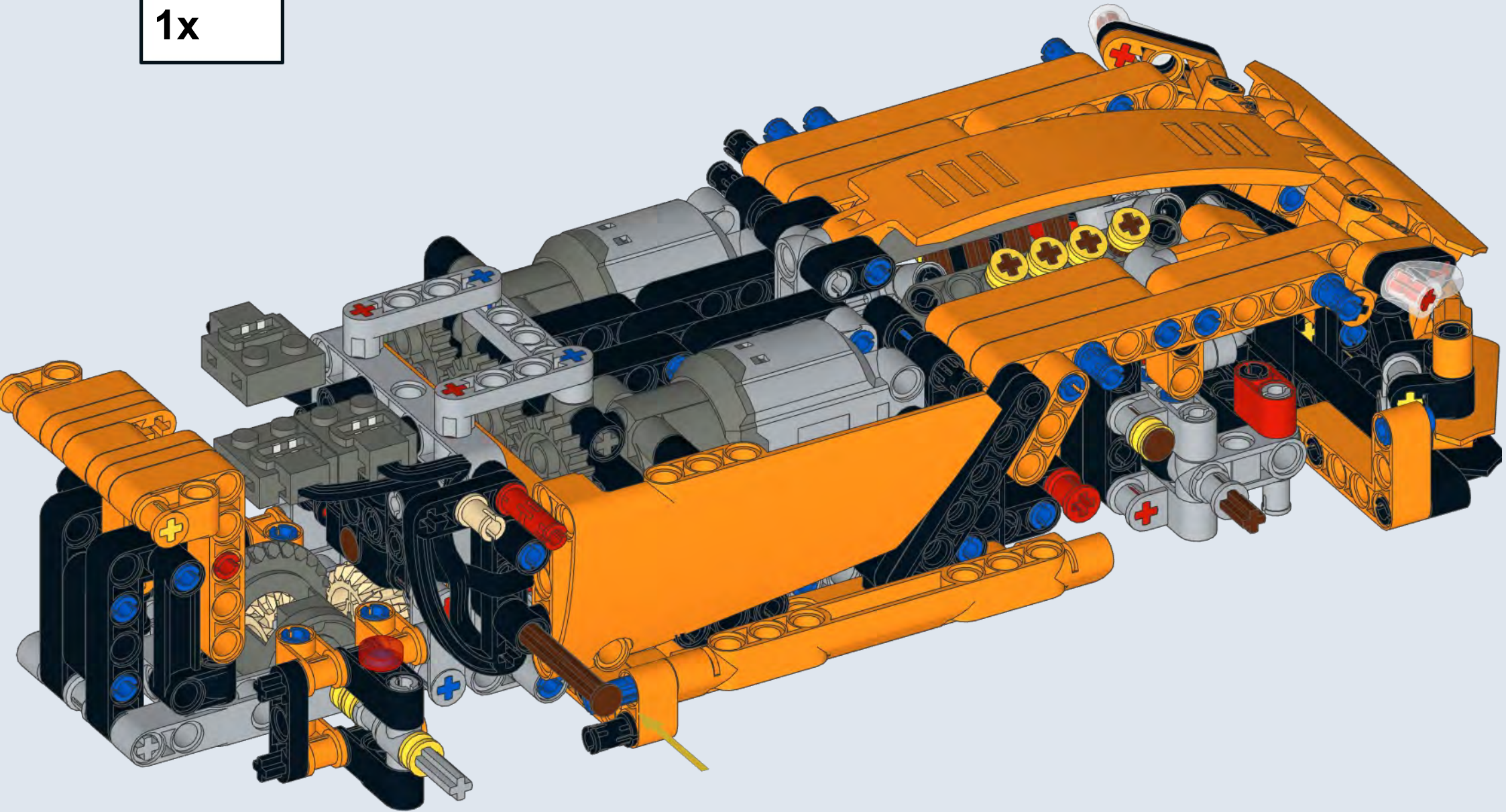


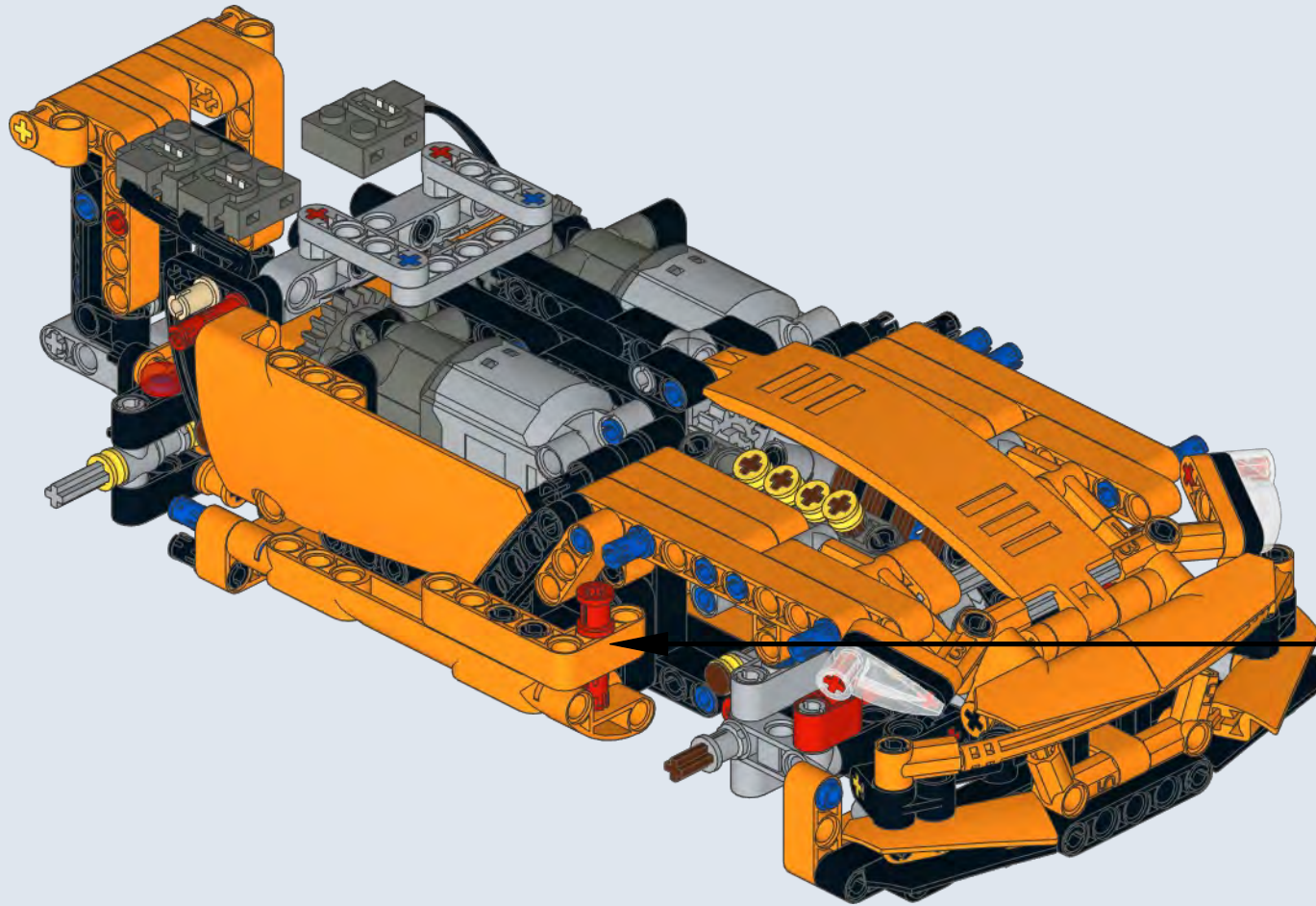
104





105





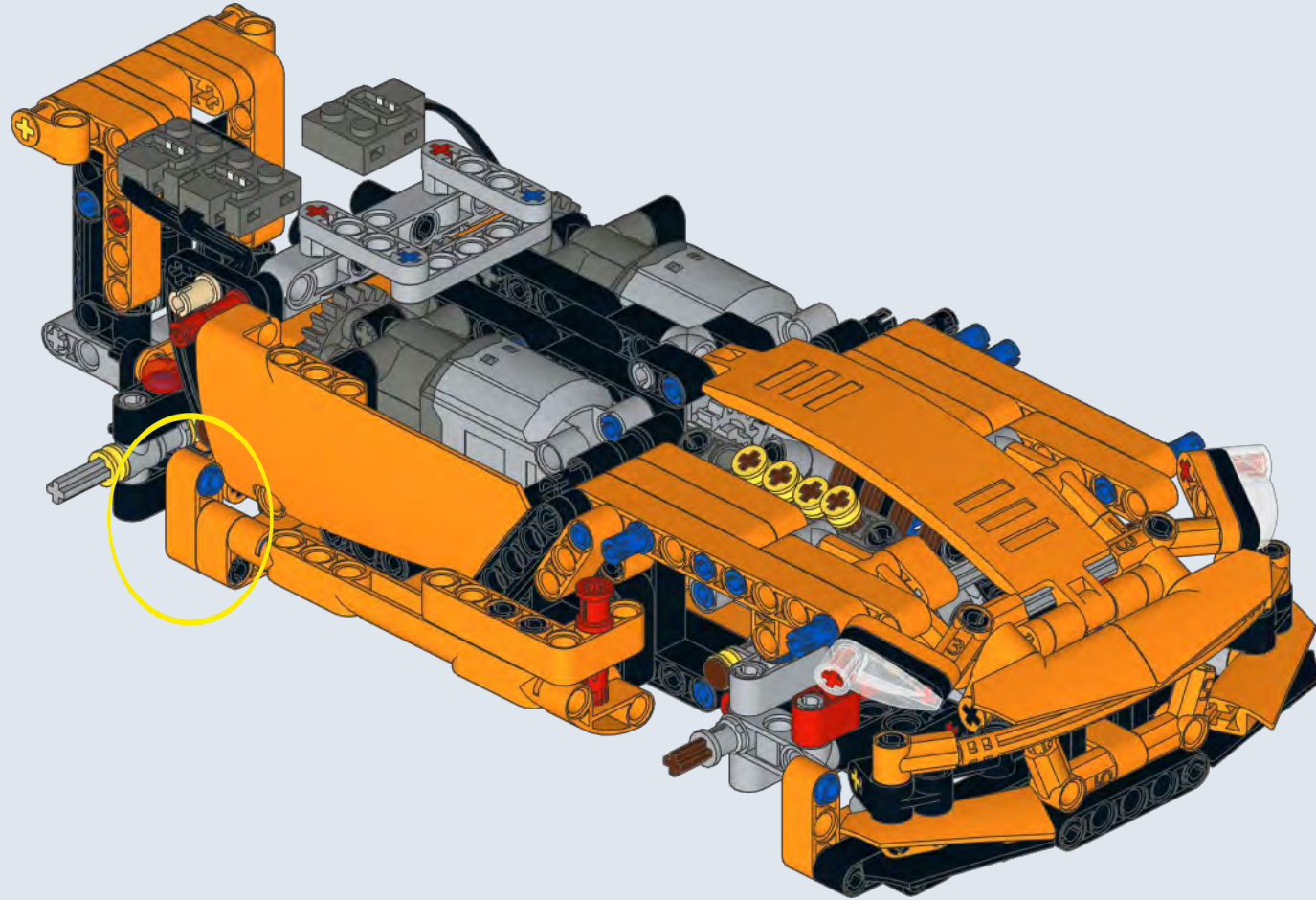
<b>2x</b>
<b>1x</b>
<b>1x</b>

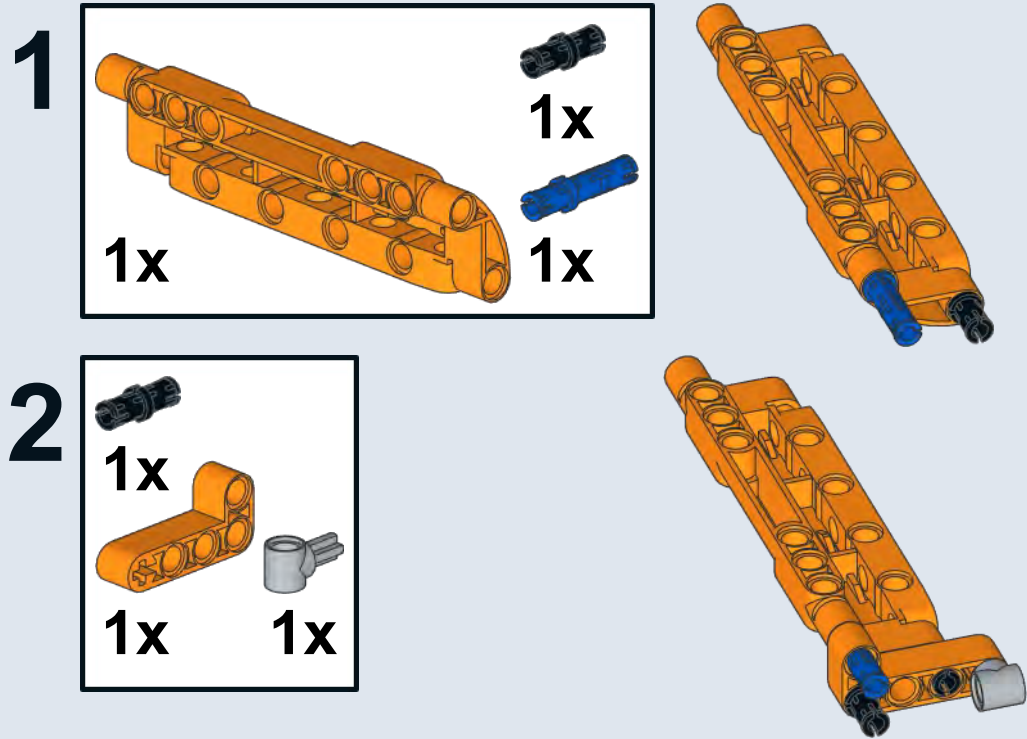


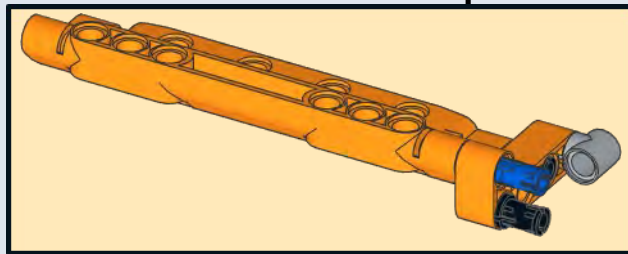
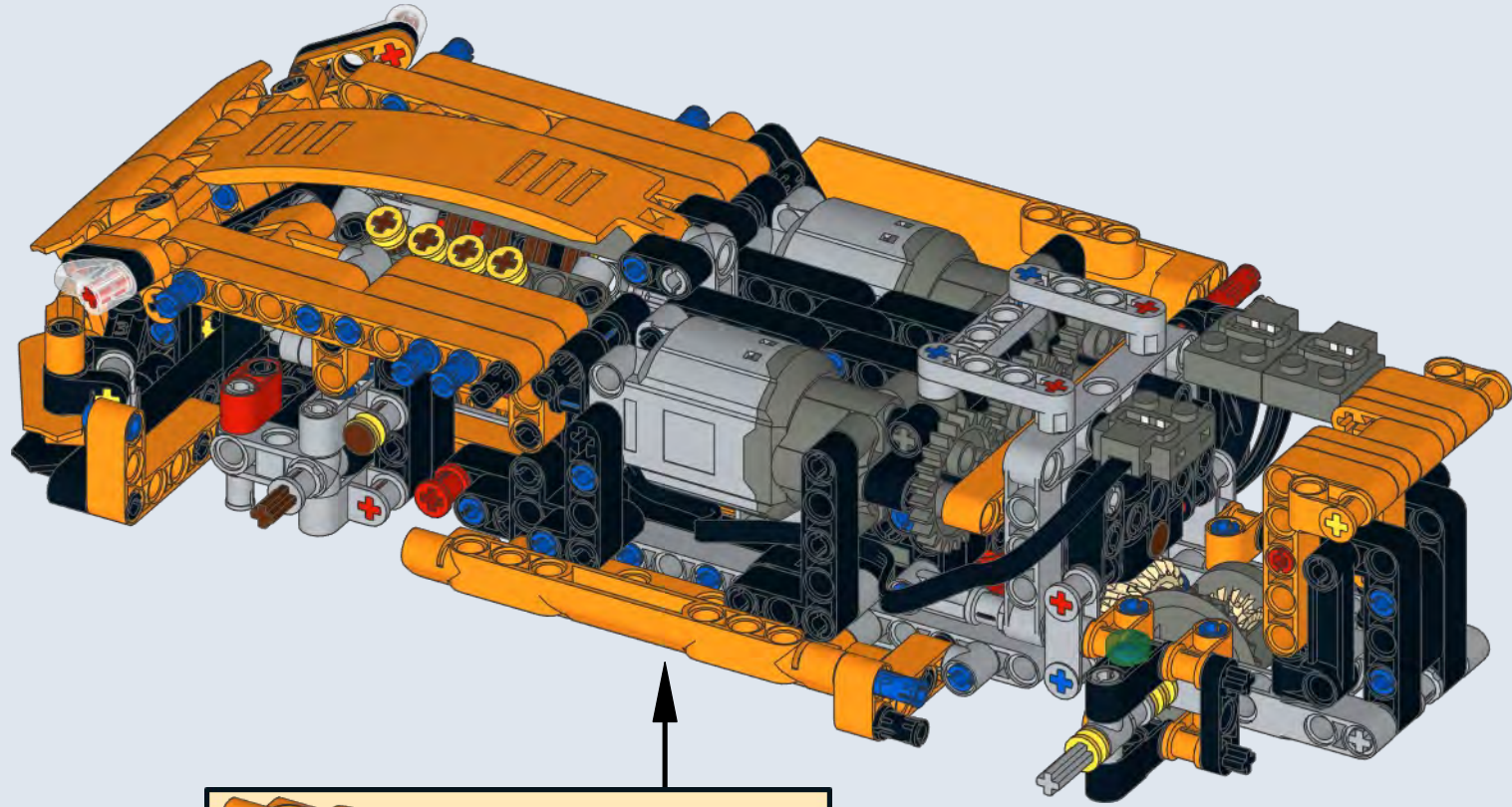


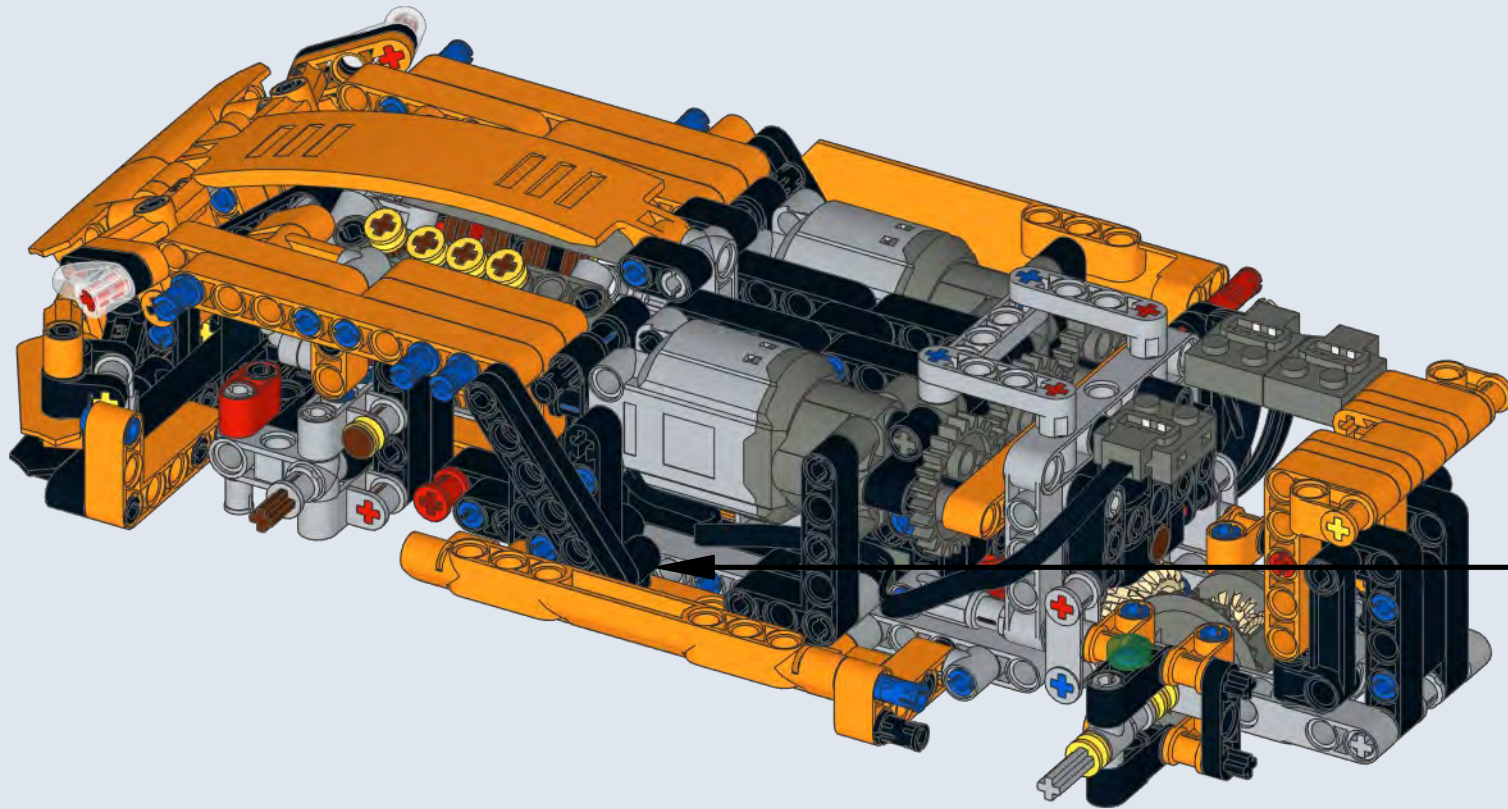
107

1x	1x





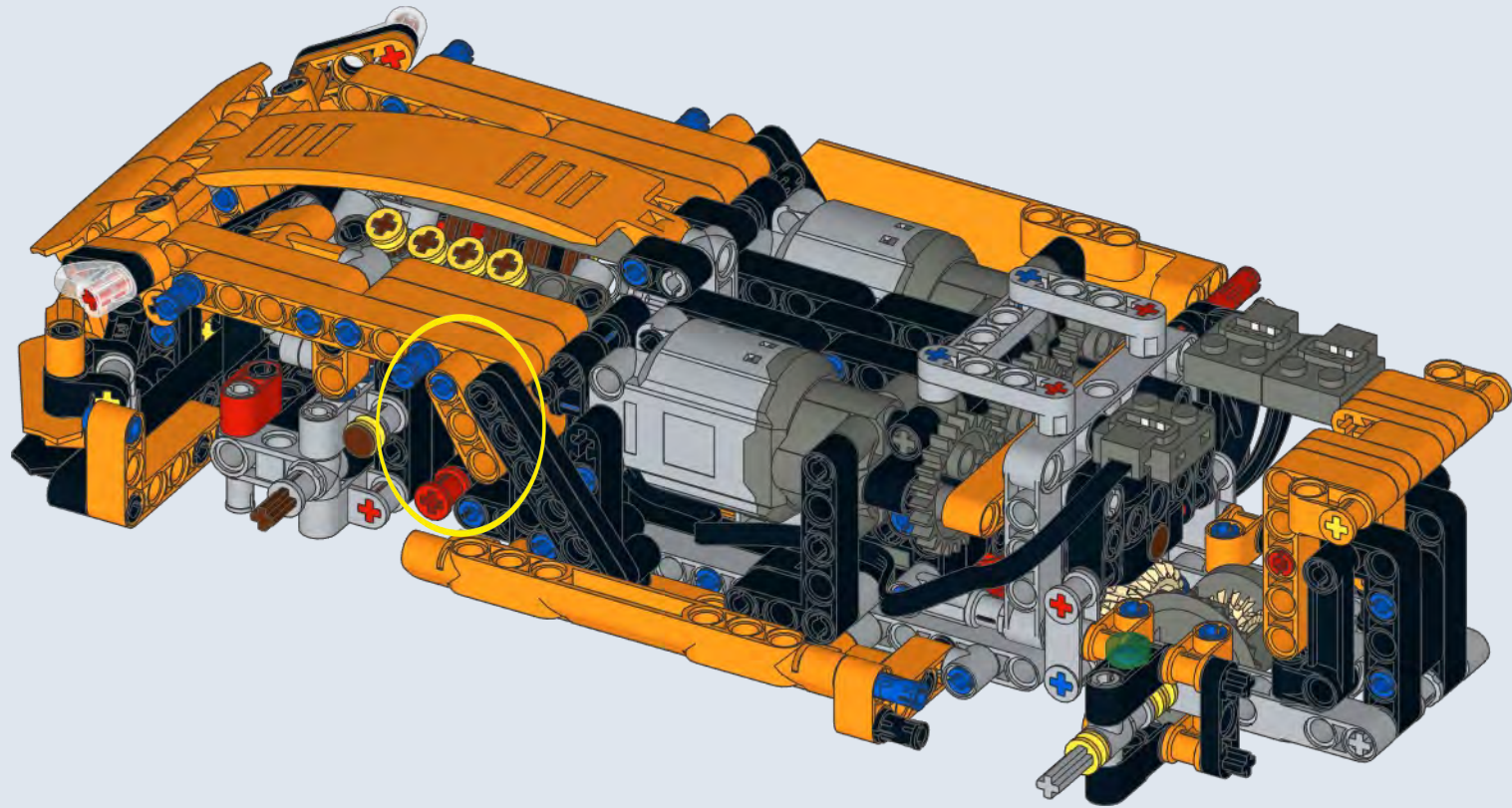


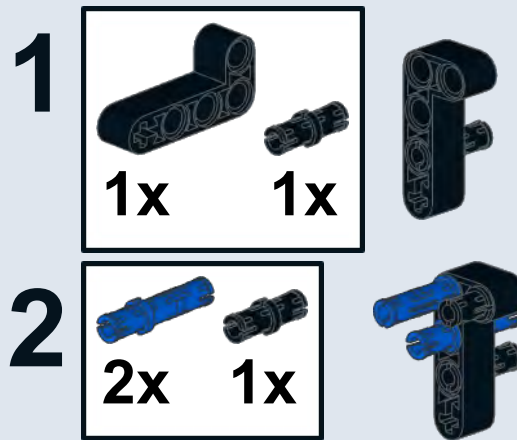


<b>1x</b>
<b>1x</b>
<b>2x</b>



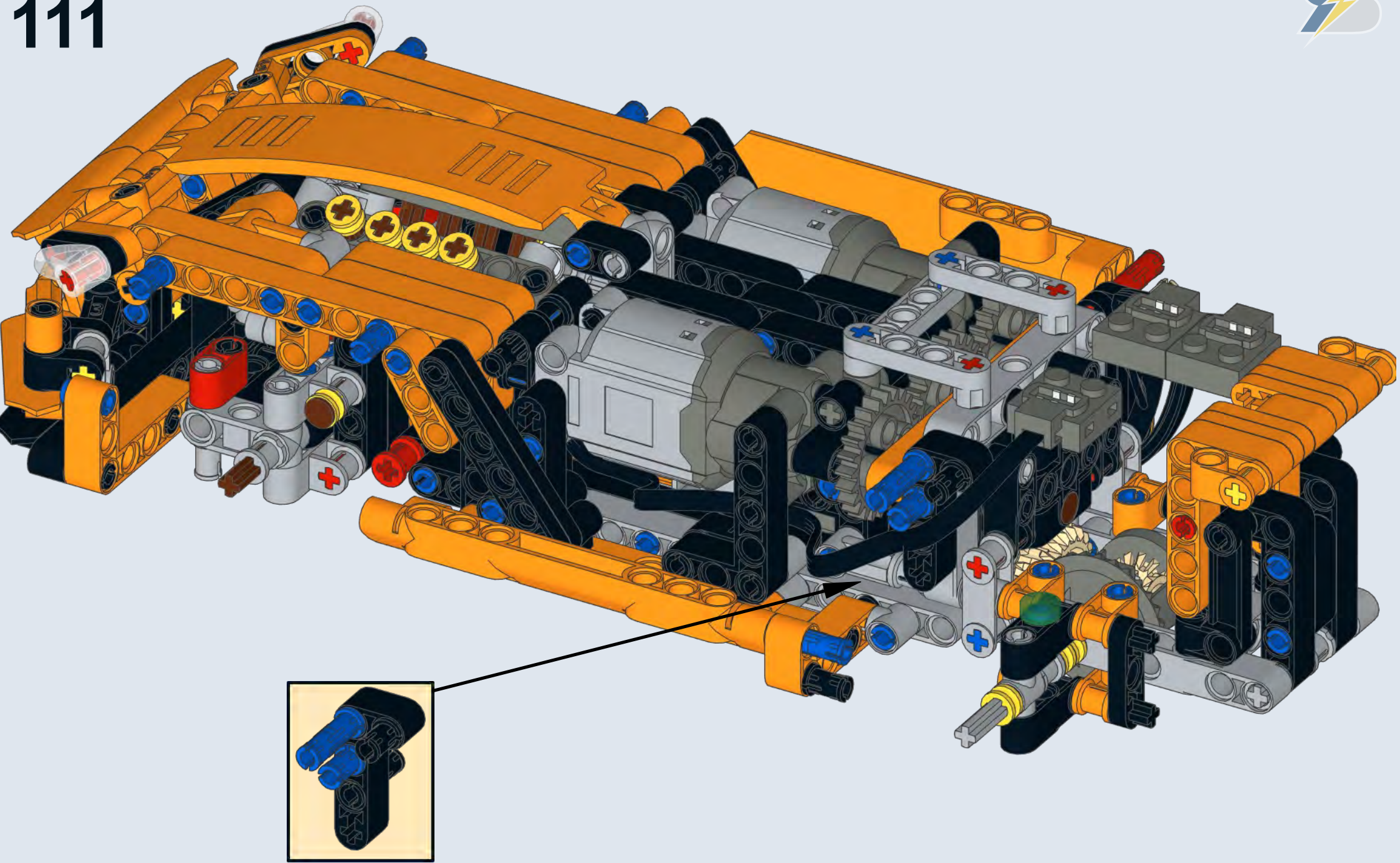
110





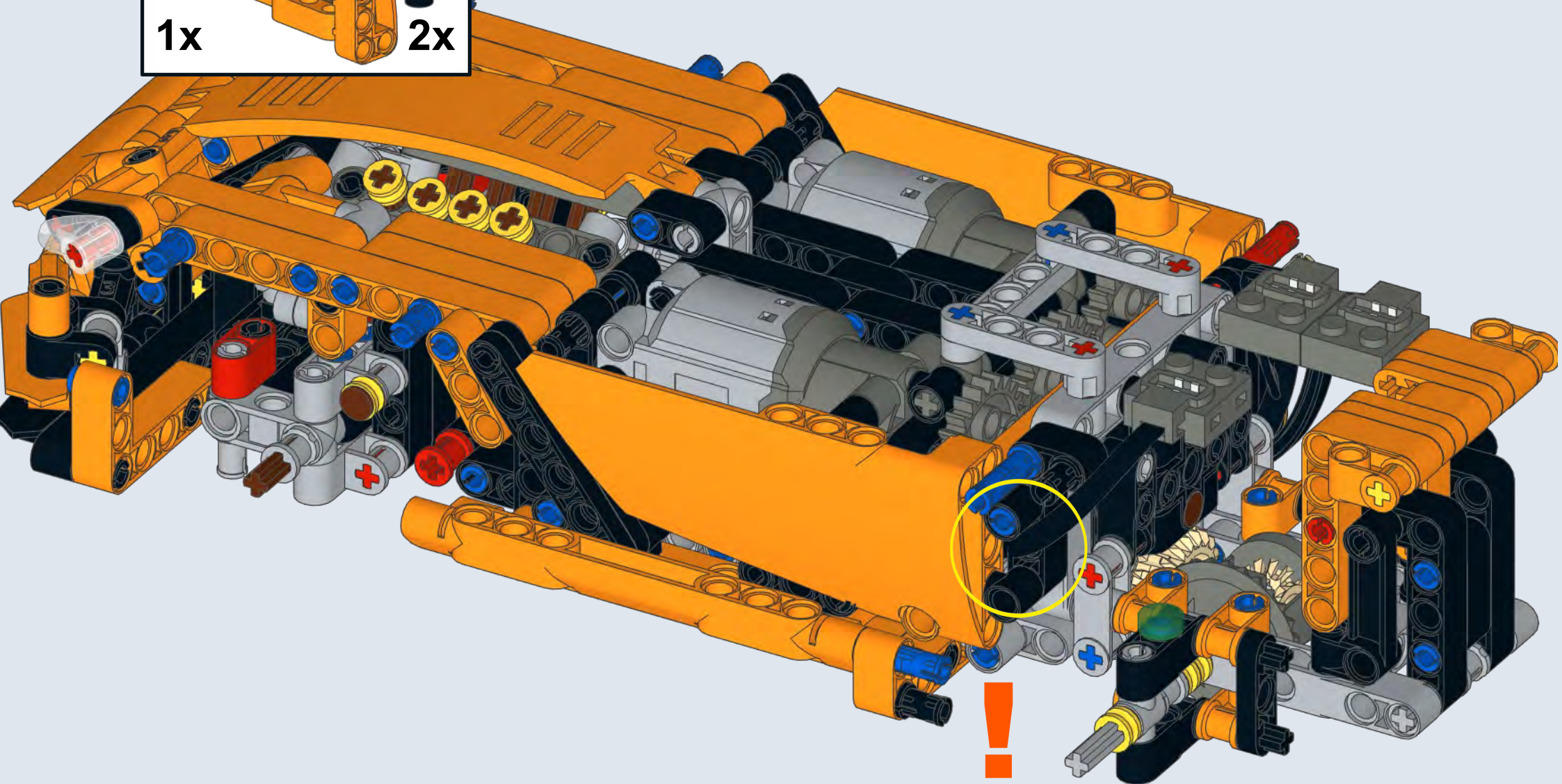
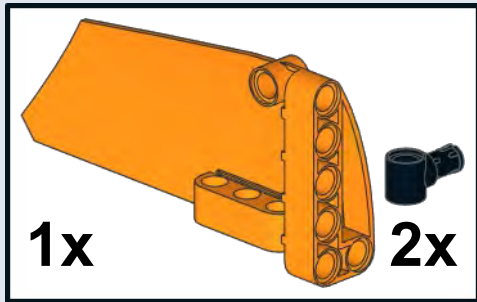


111





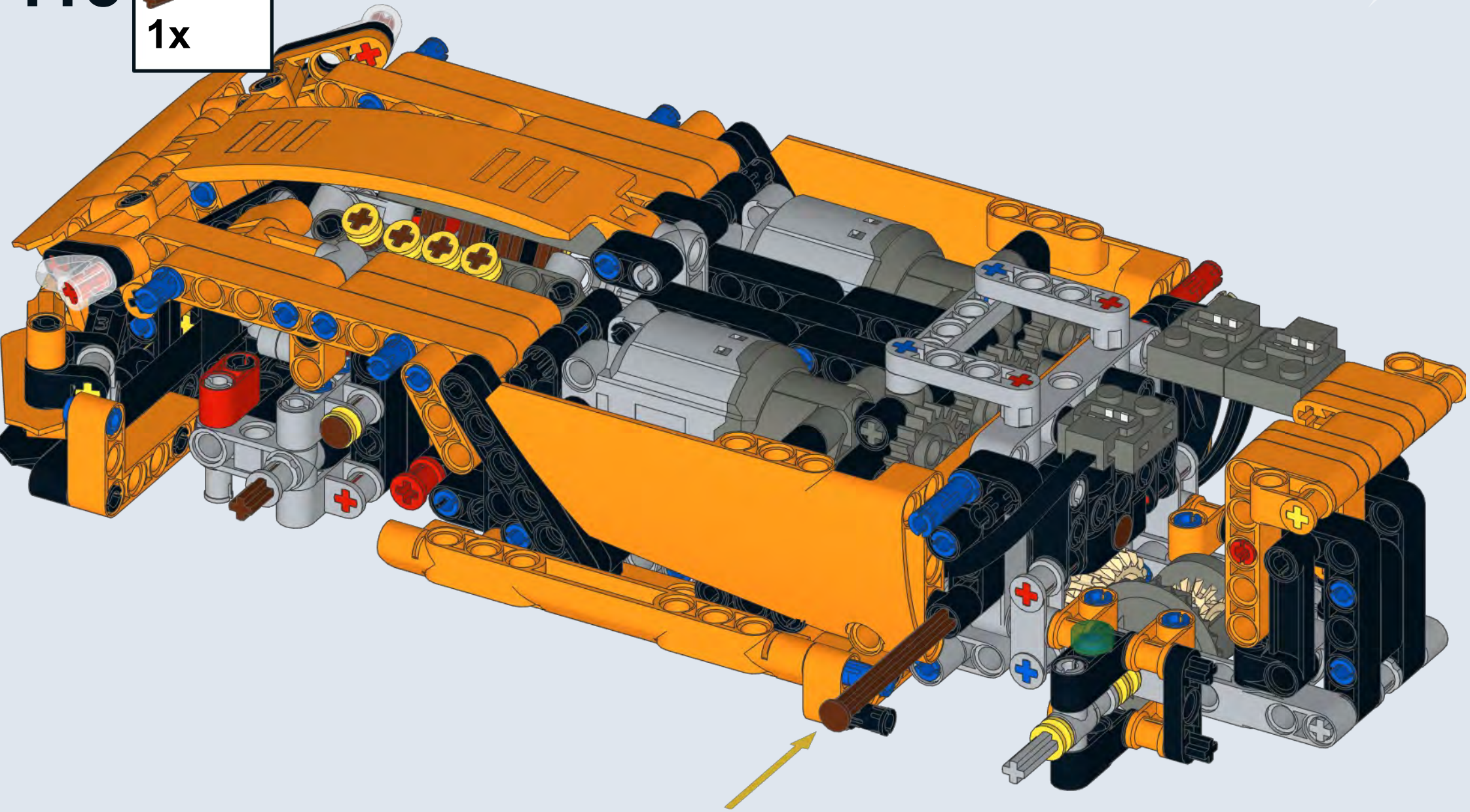
112

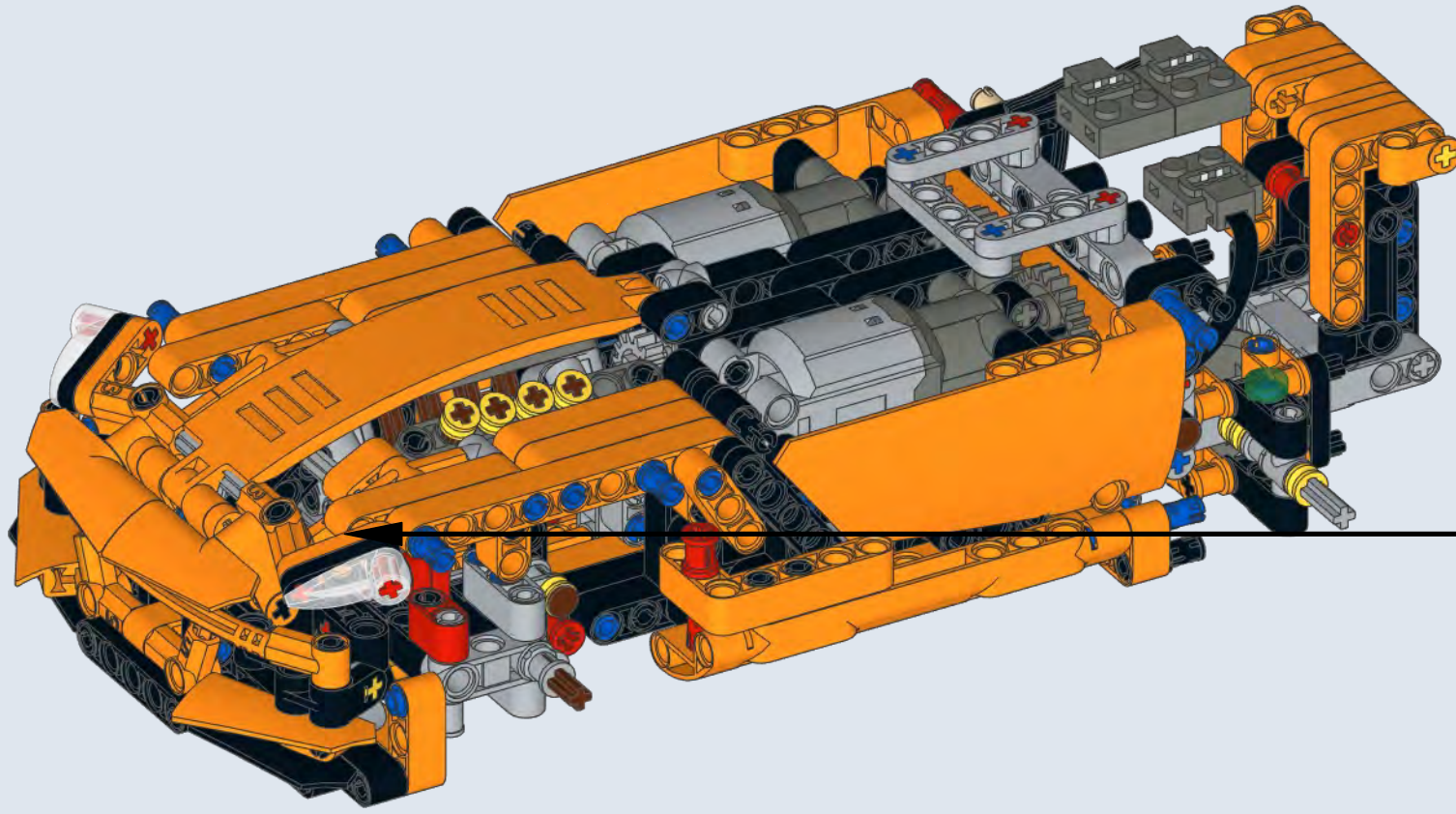




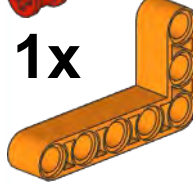
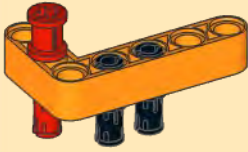




113

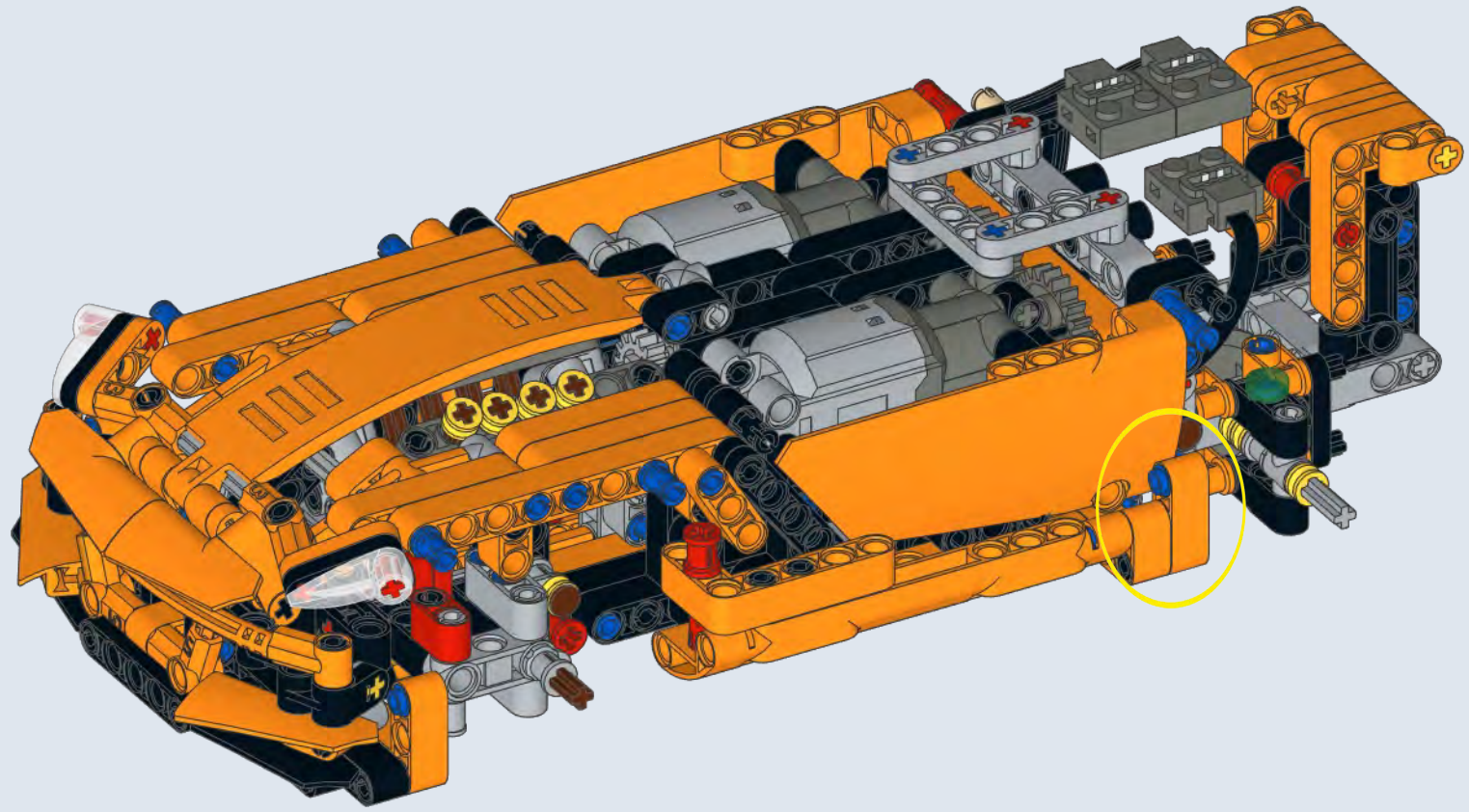
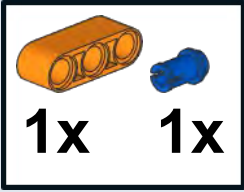




-   
**2x**
-   
**1x**
-   
**1x**
- 

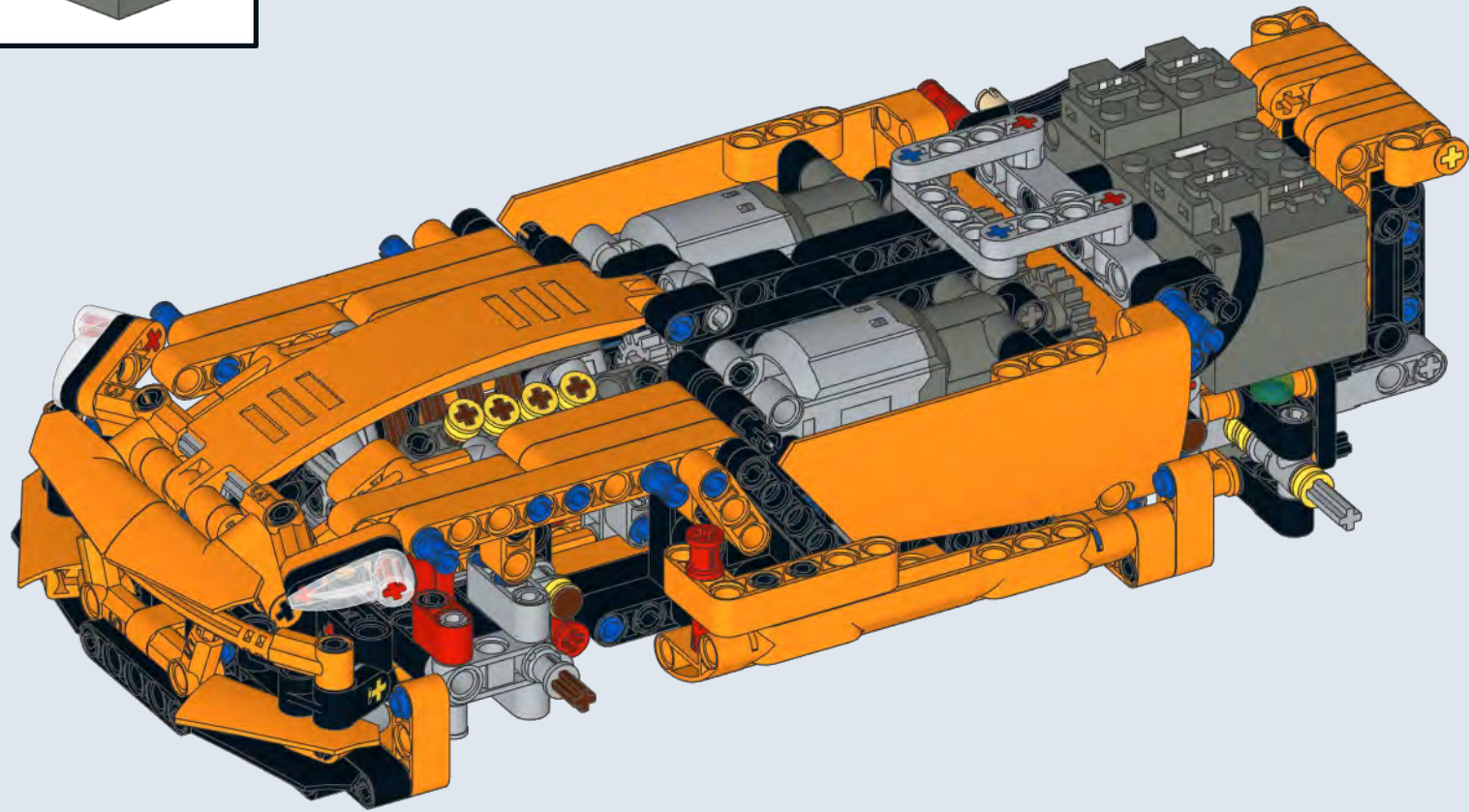
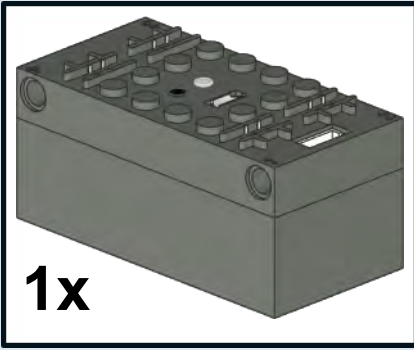


115



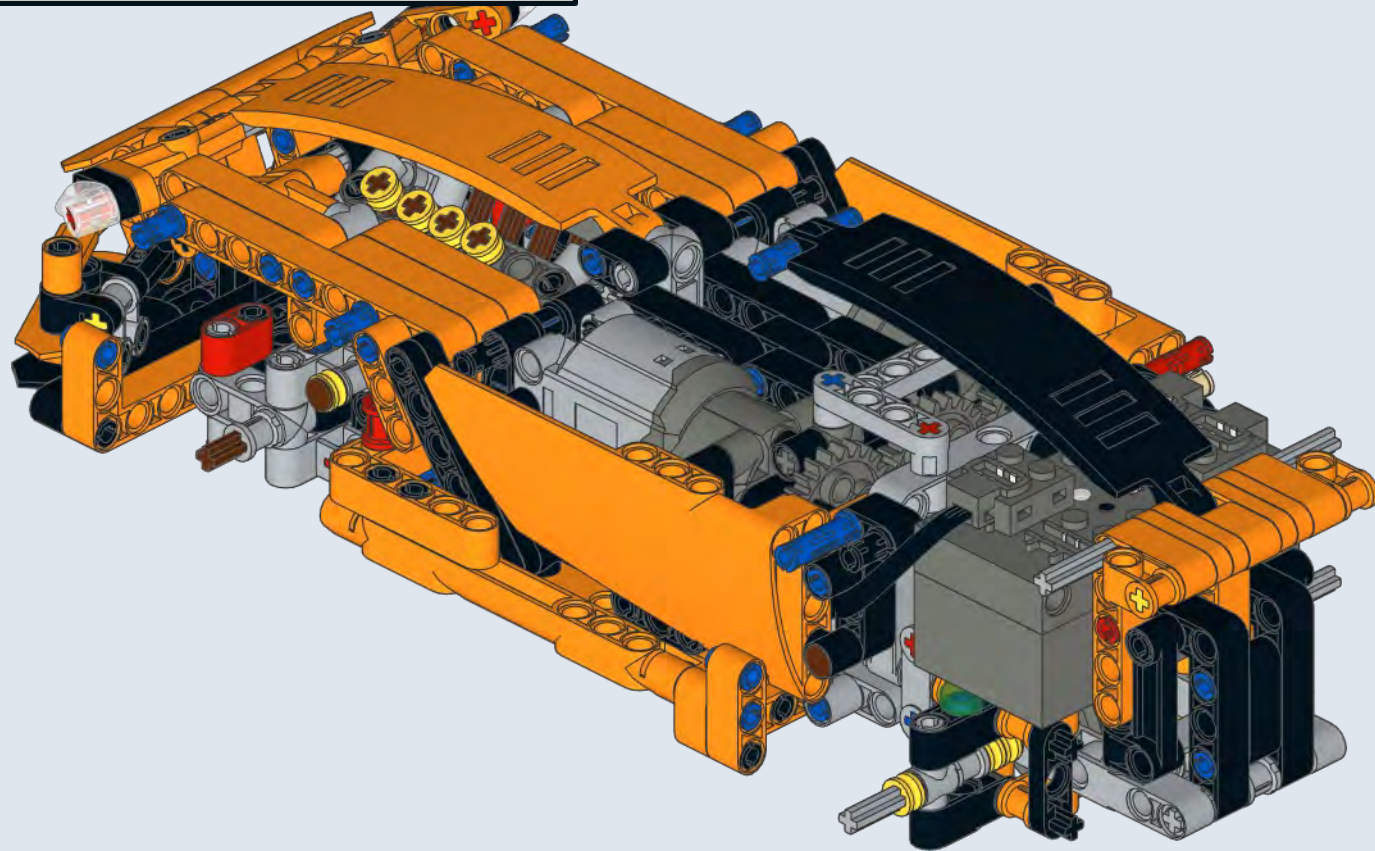
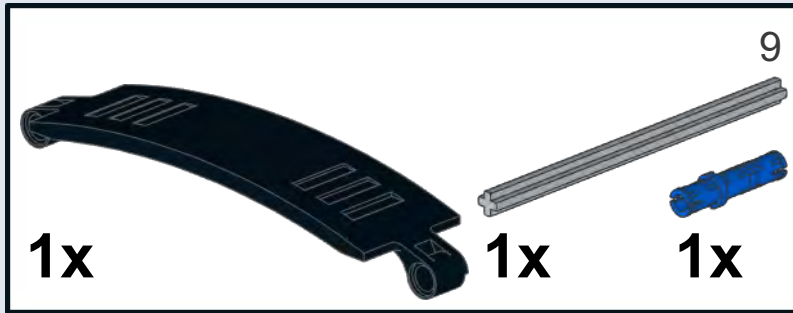


116

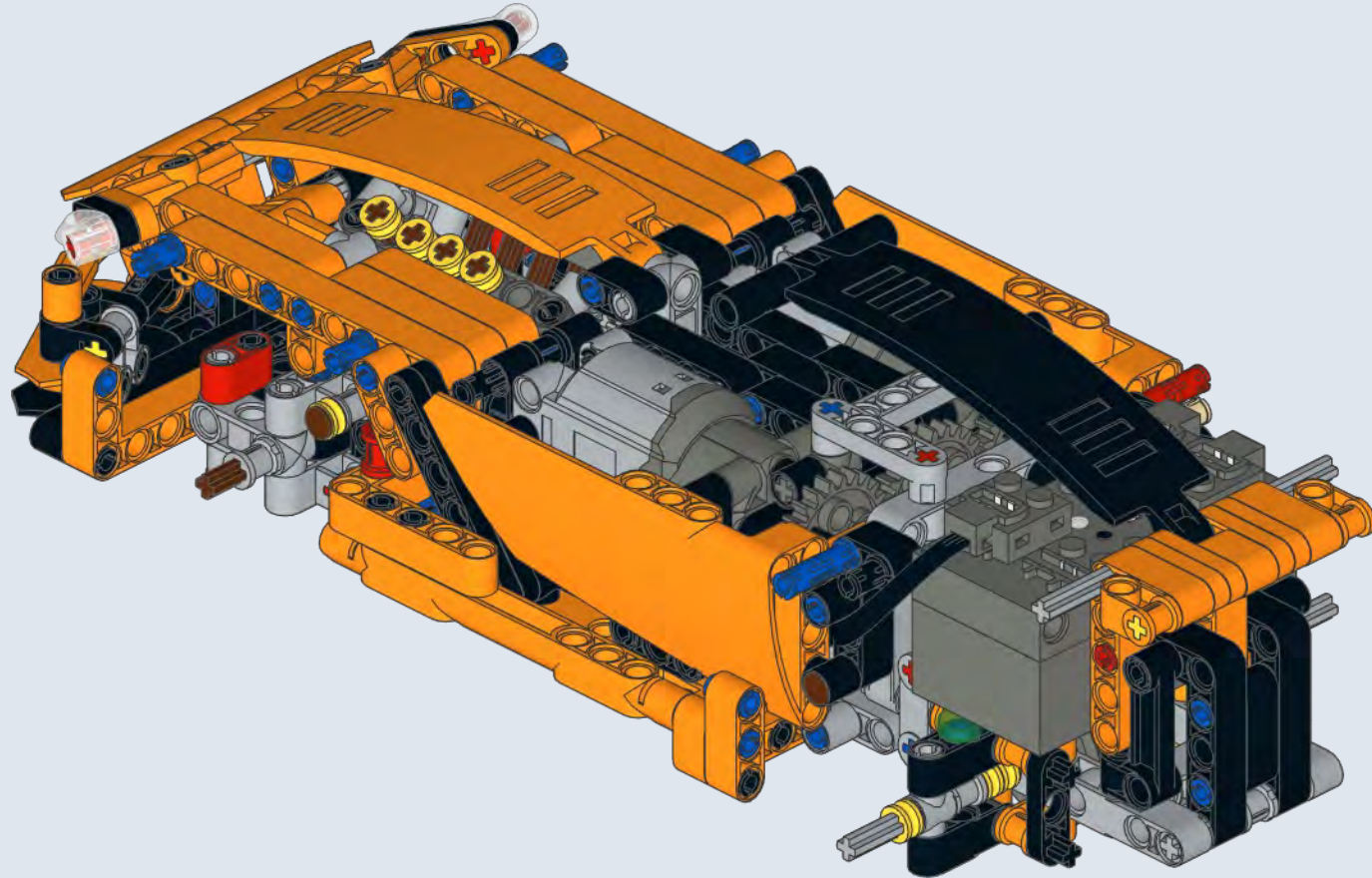




117

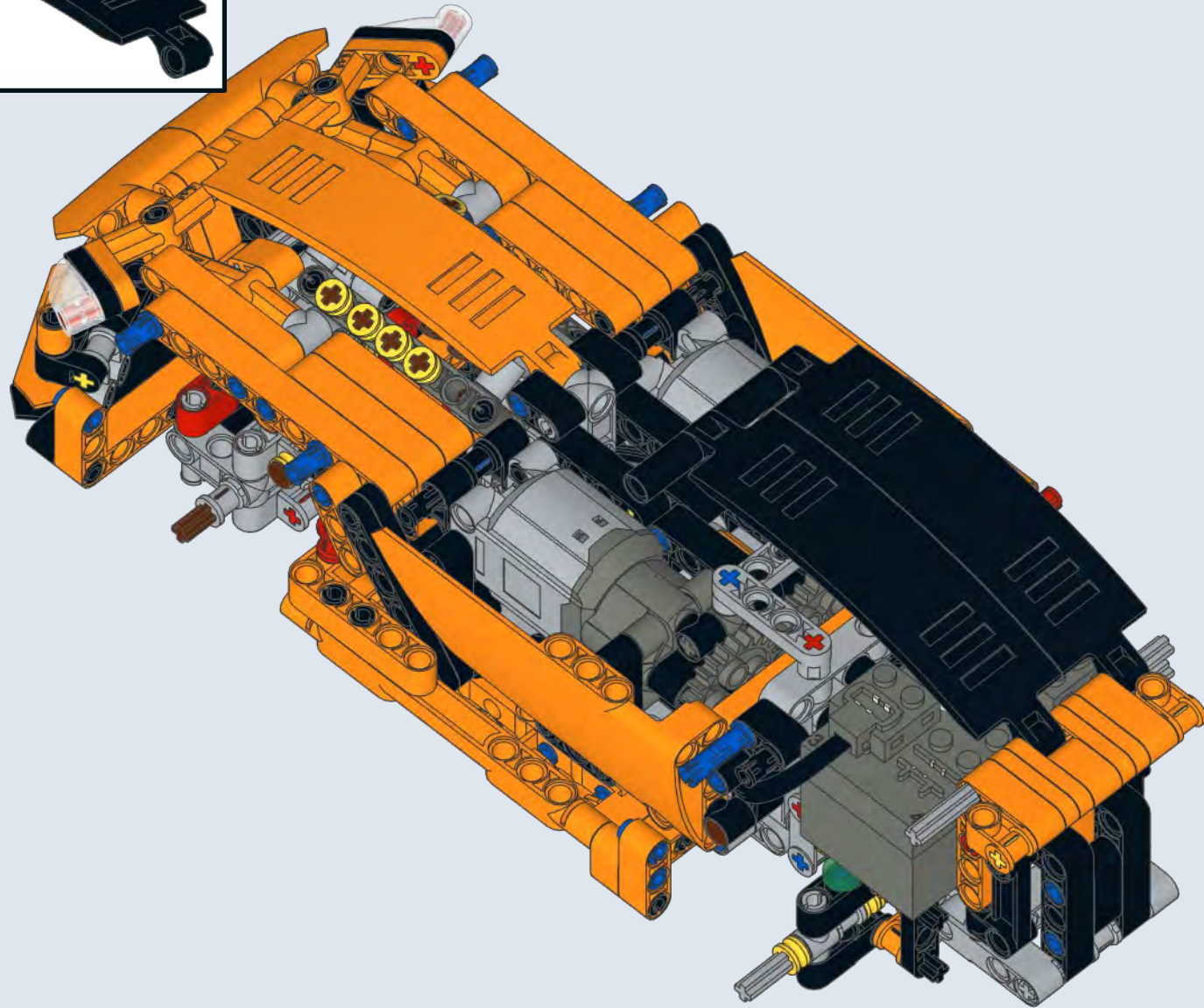


118



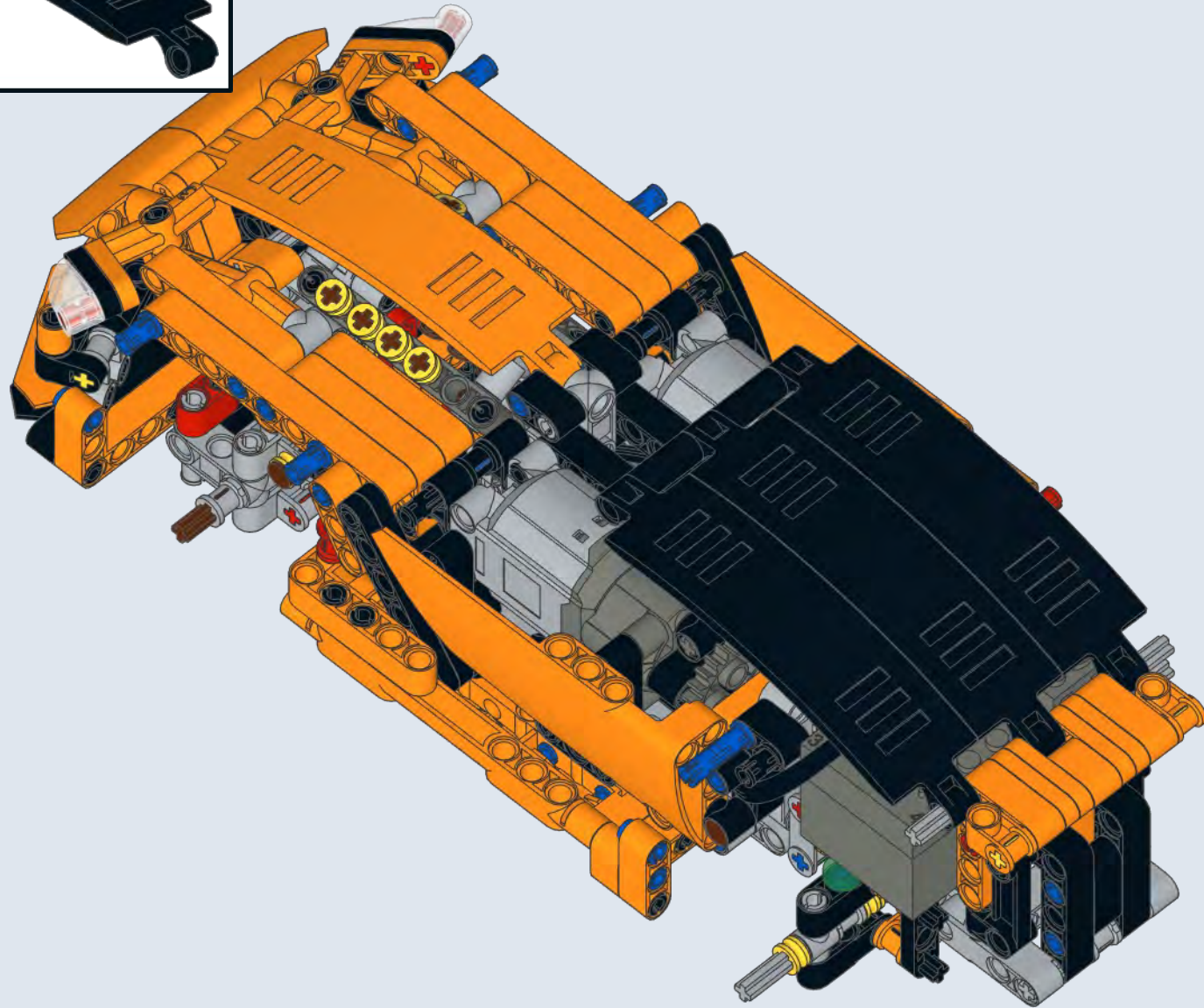


119





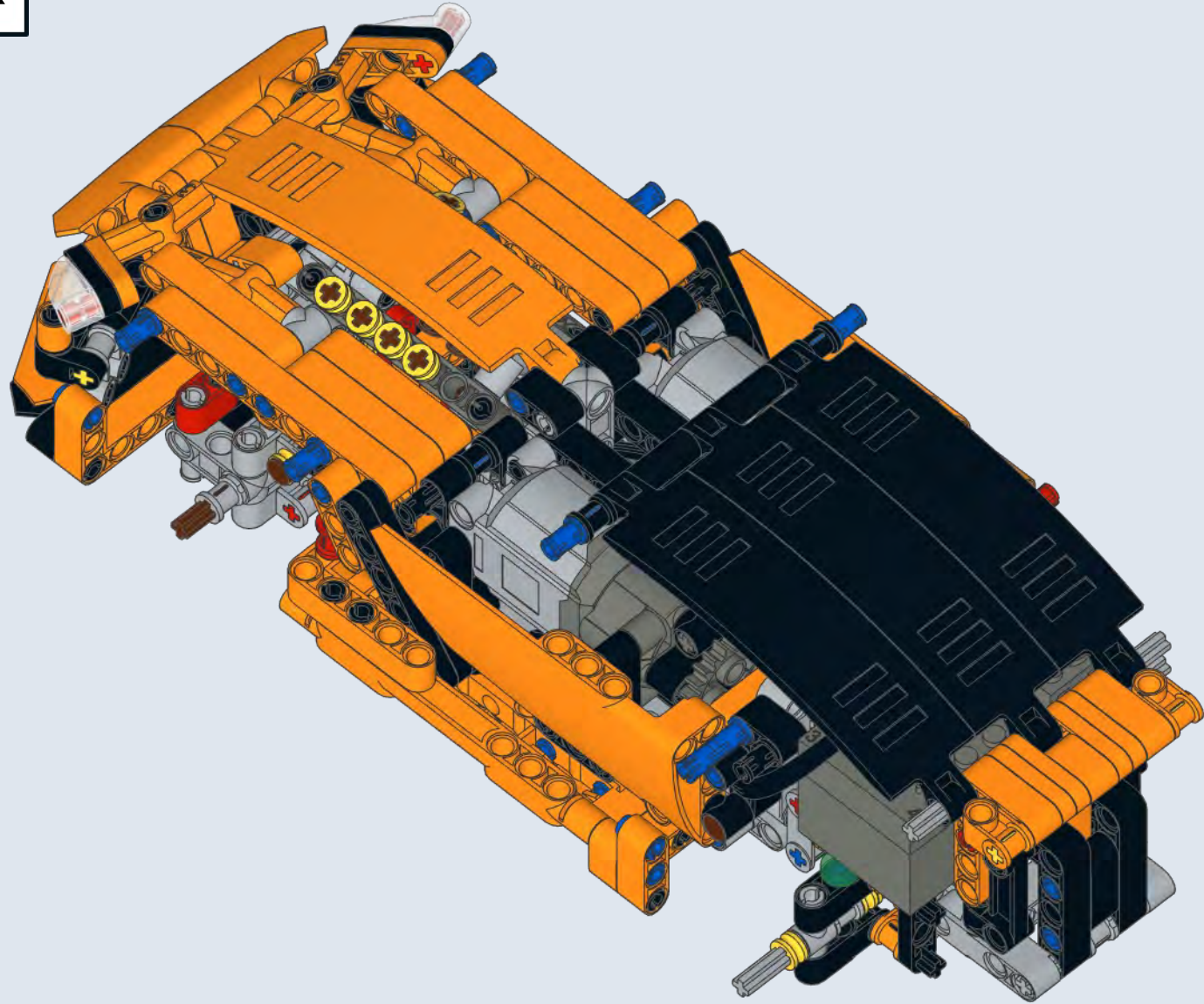
120





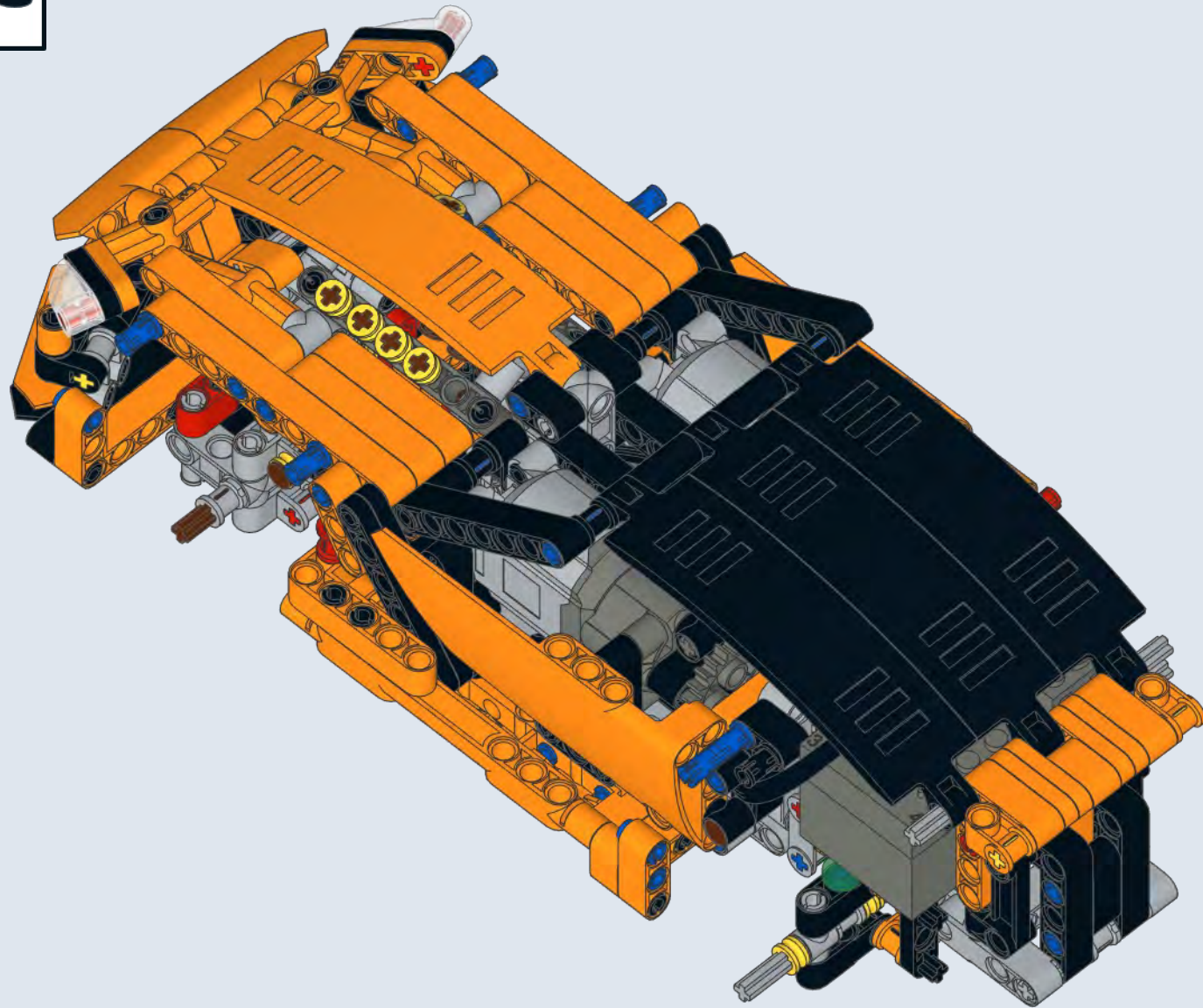


121



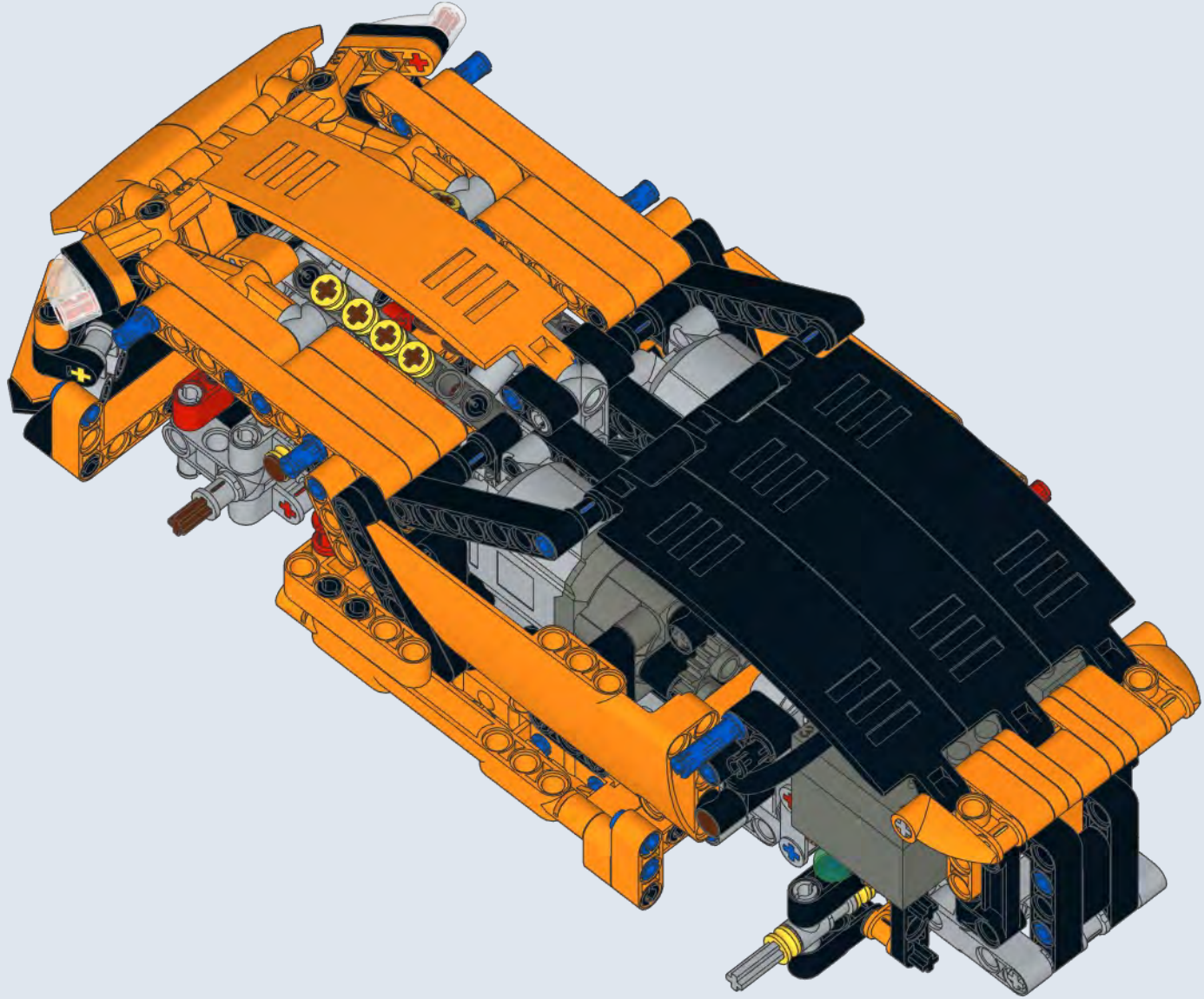


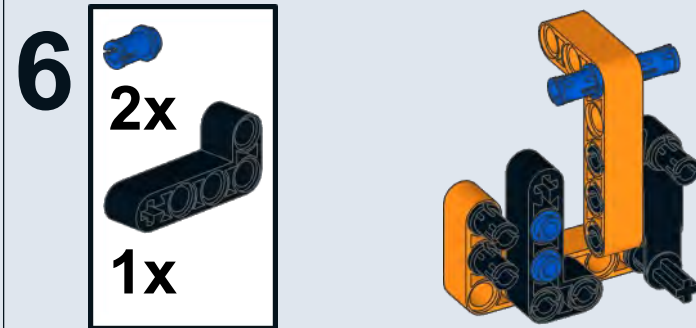
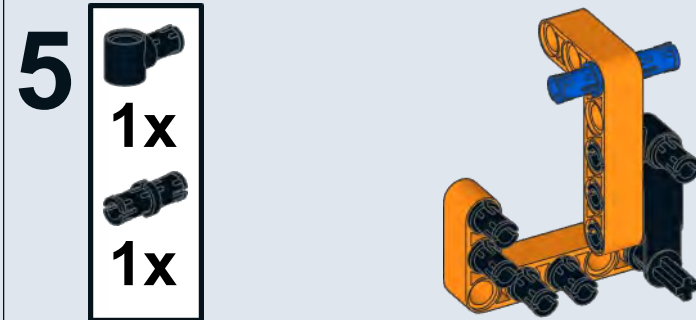
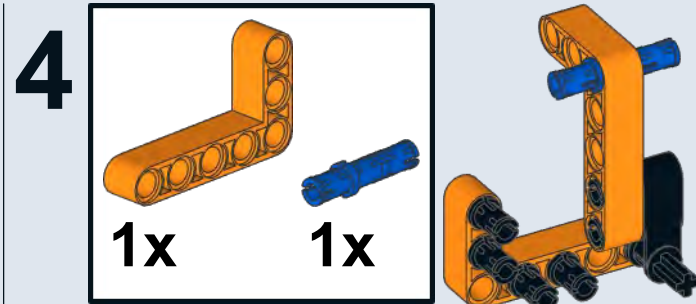
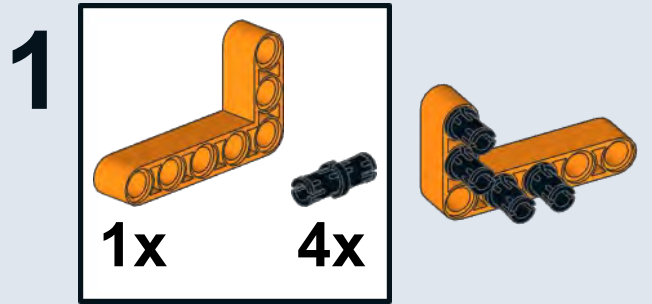
122

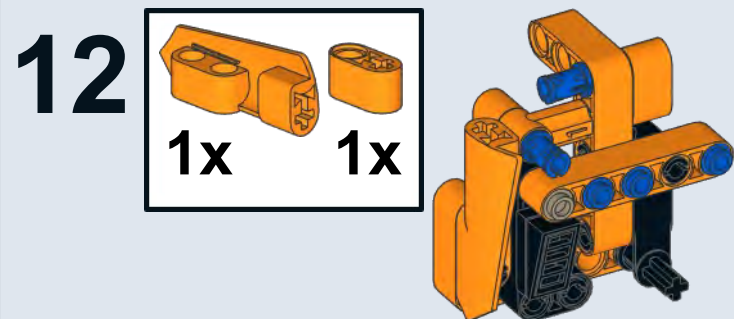
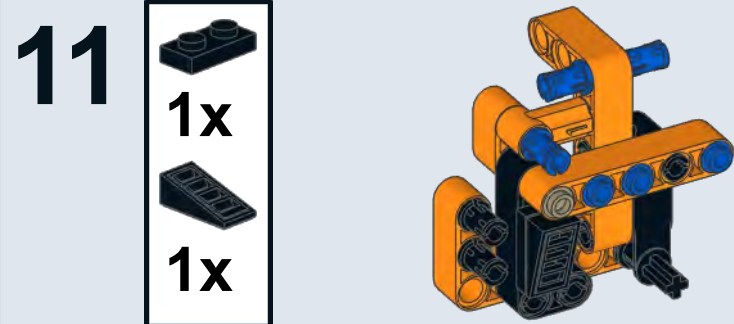
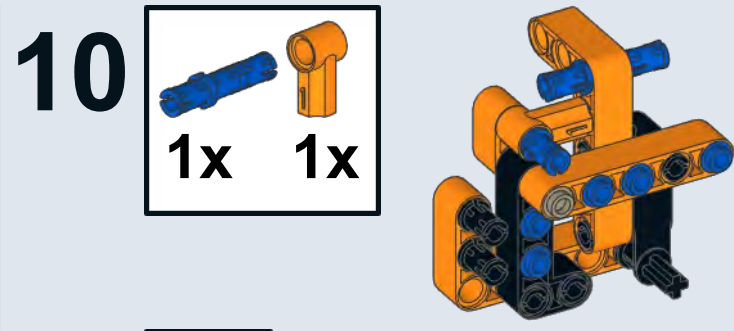
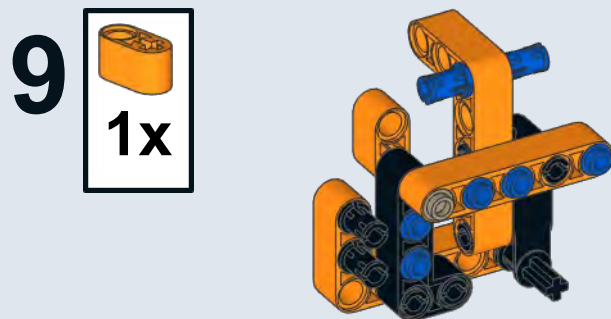
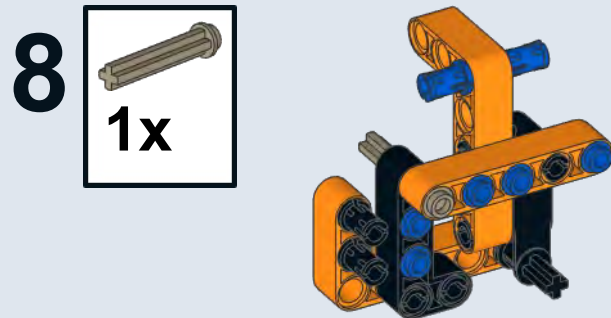
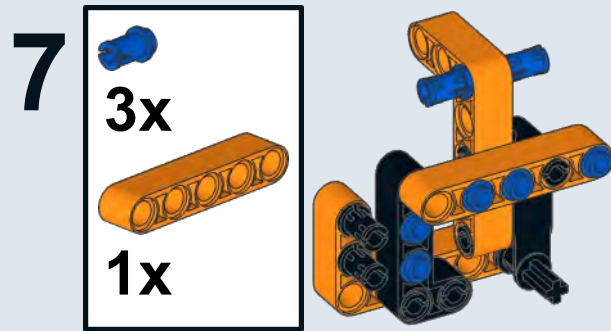




123

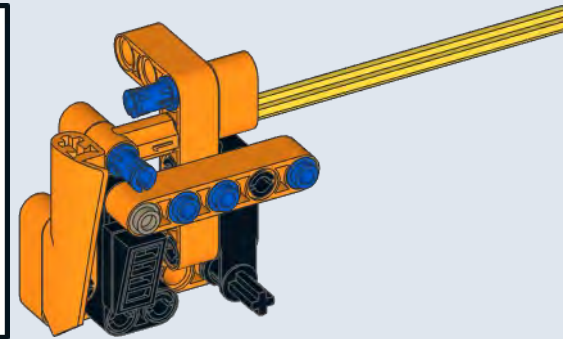
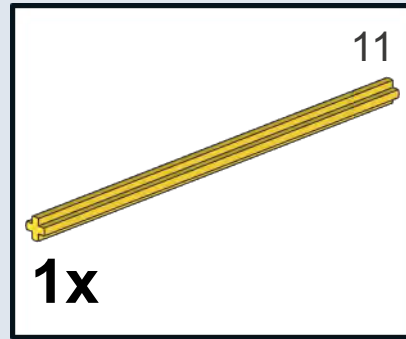




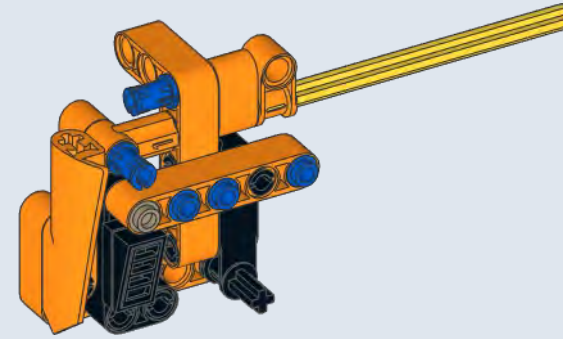


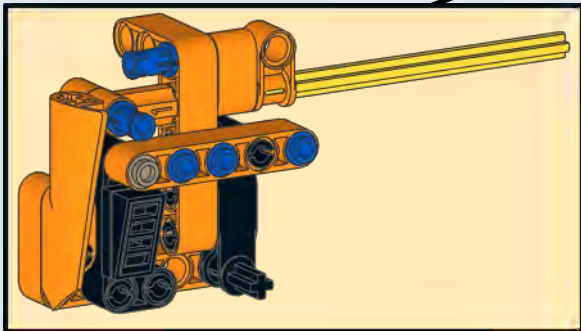
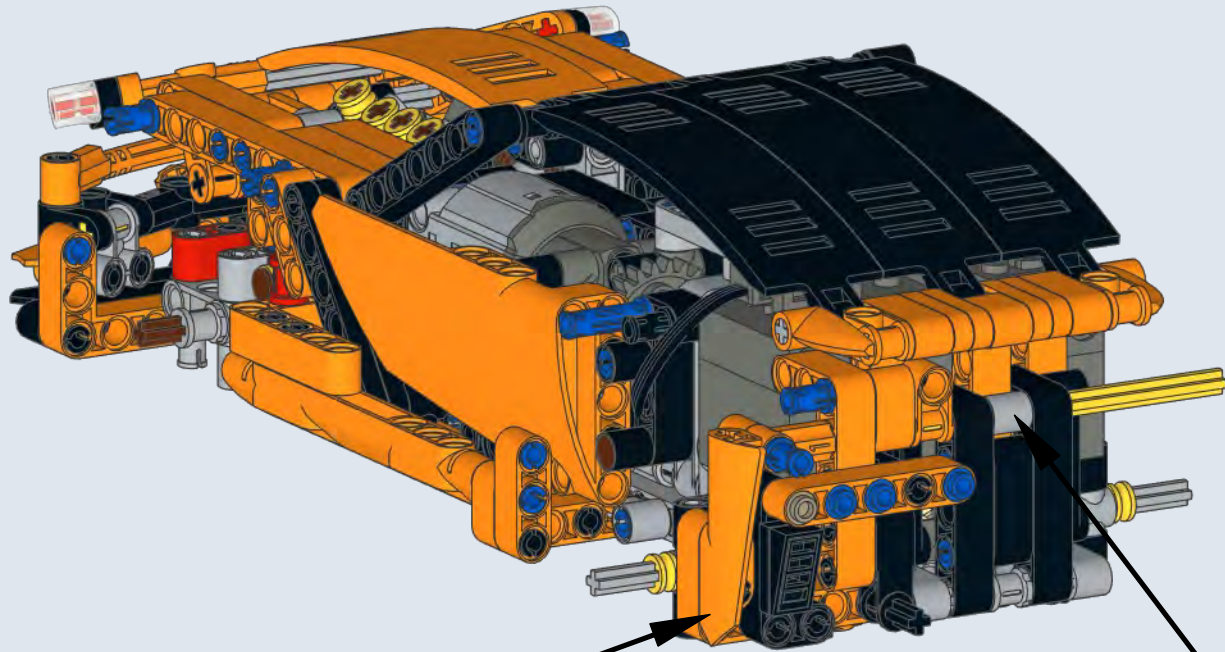




13



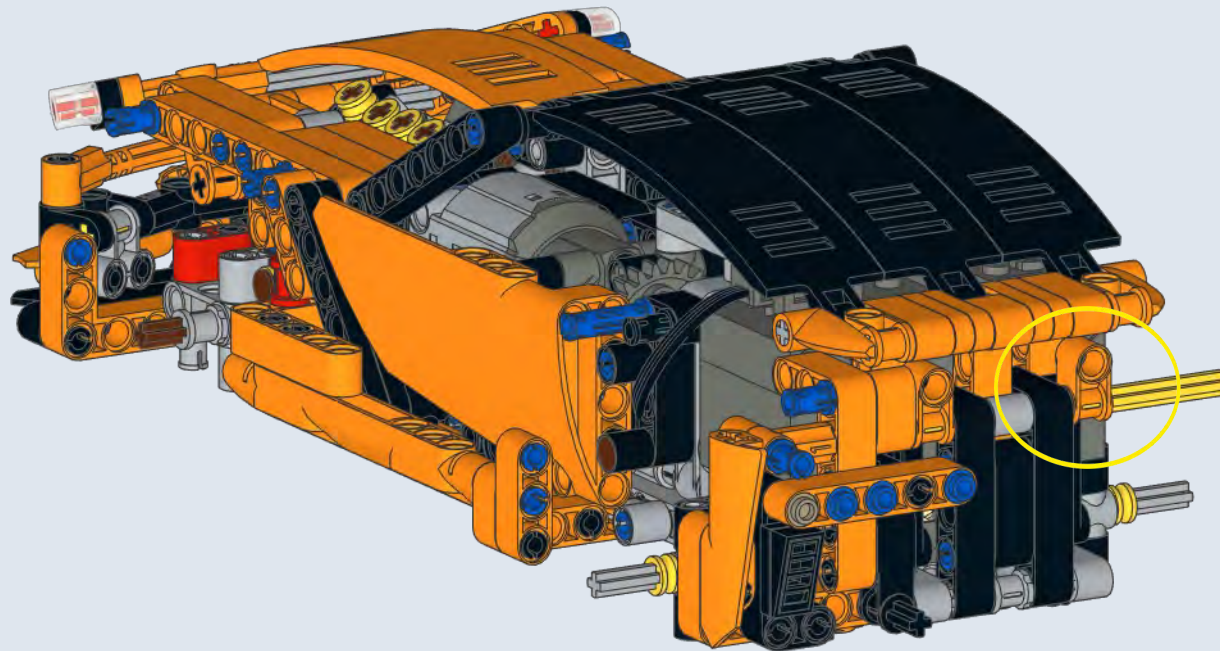
14






<b>1x</b>


125

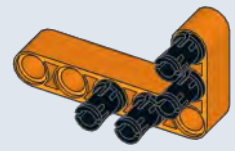






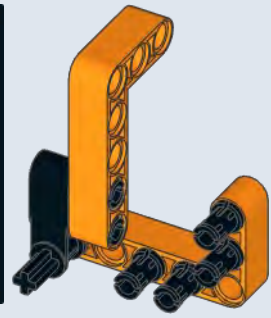
**1**

**1x**      **4x**



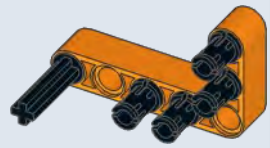
**4**

**1x**



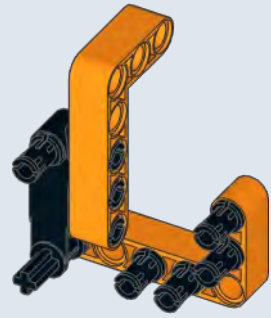
**2**

**1x**



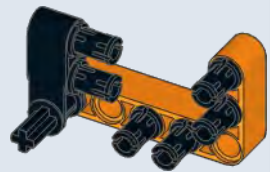
**5**

**1x**  
**1x**



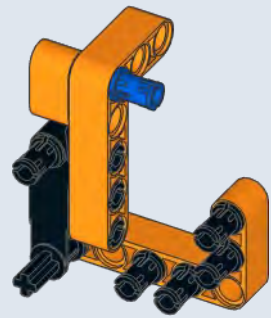
**3**

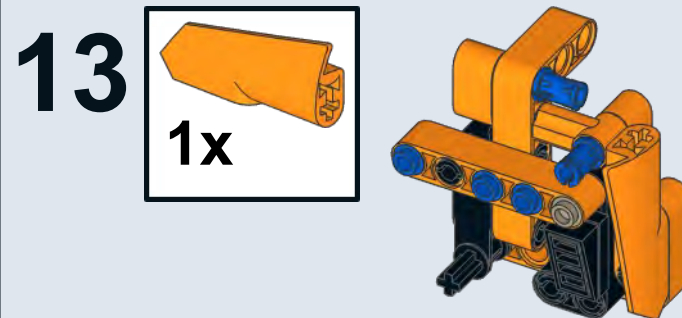
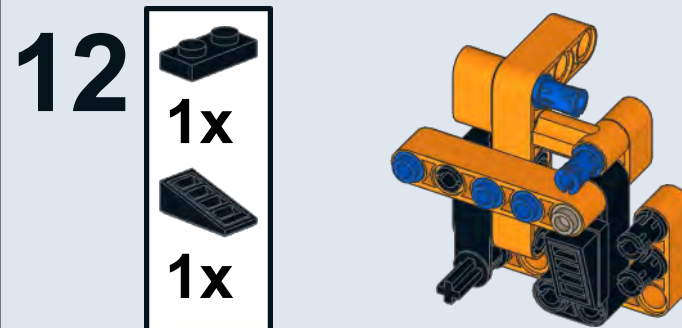
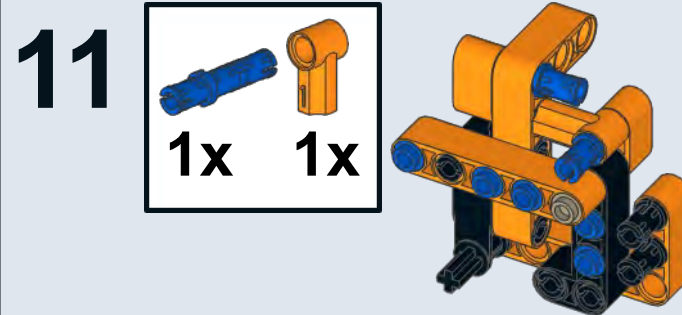
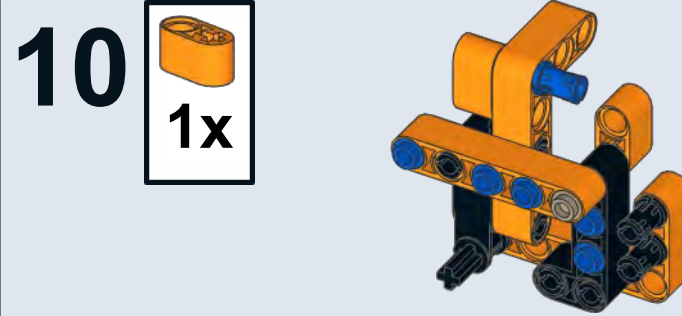
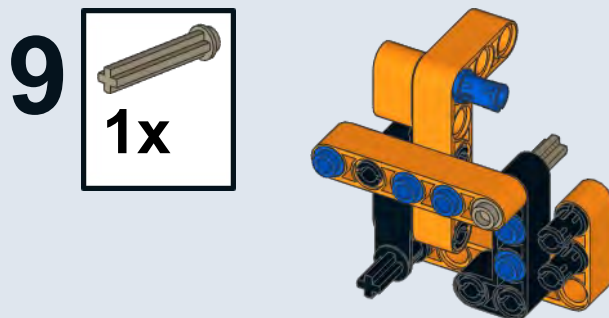
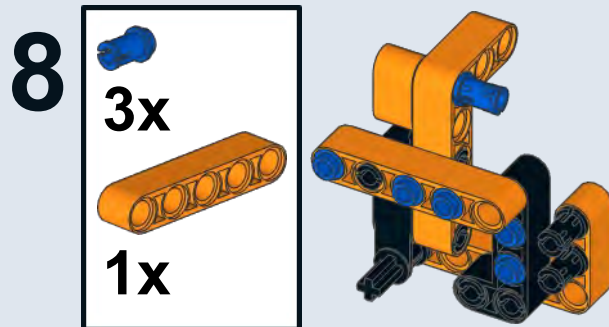
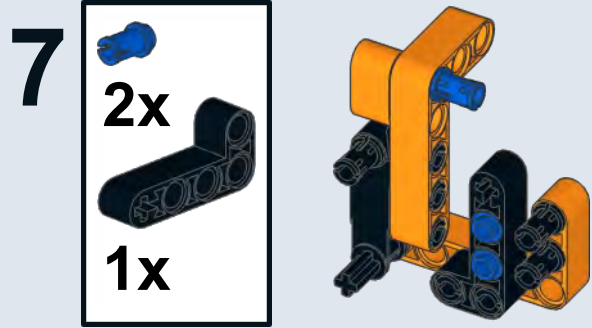
**1x**      **2x**

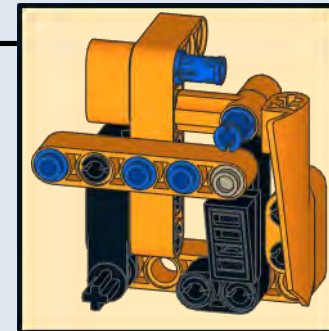
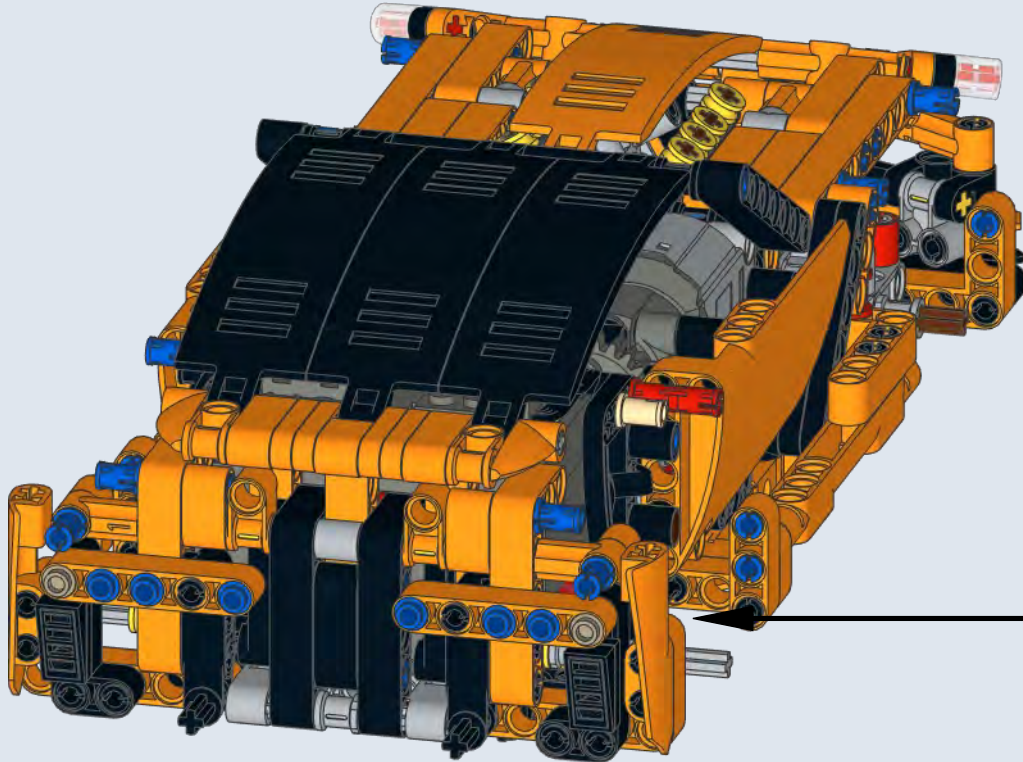


**6**

**1x**  
**1x**

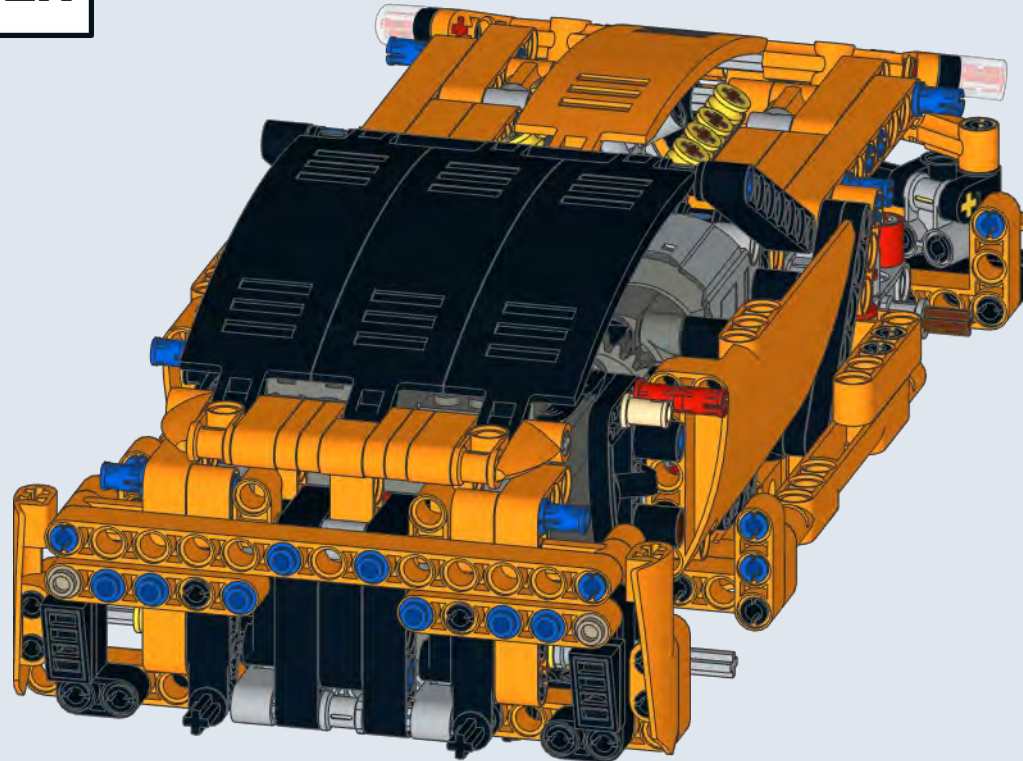
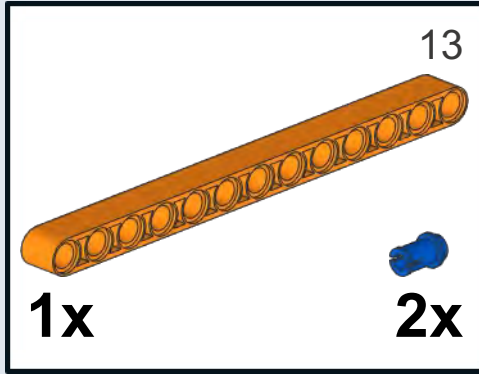






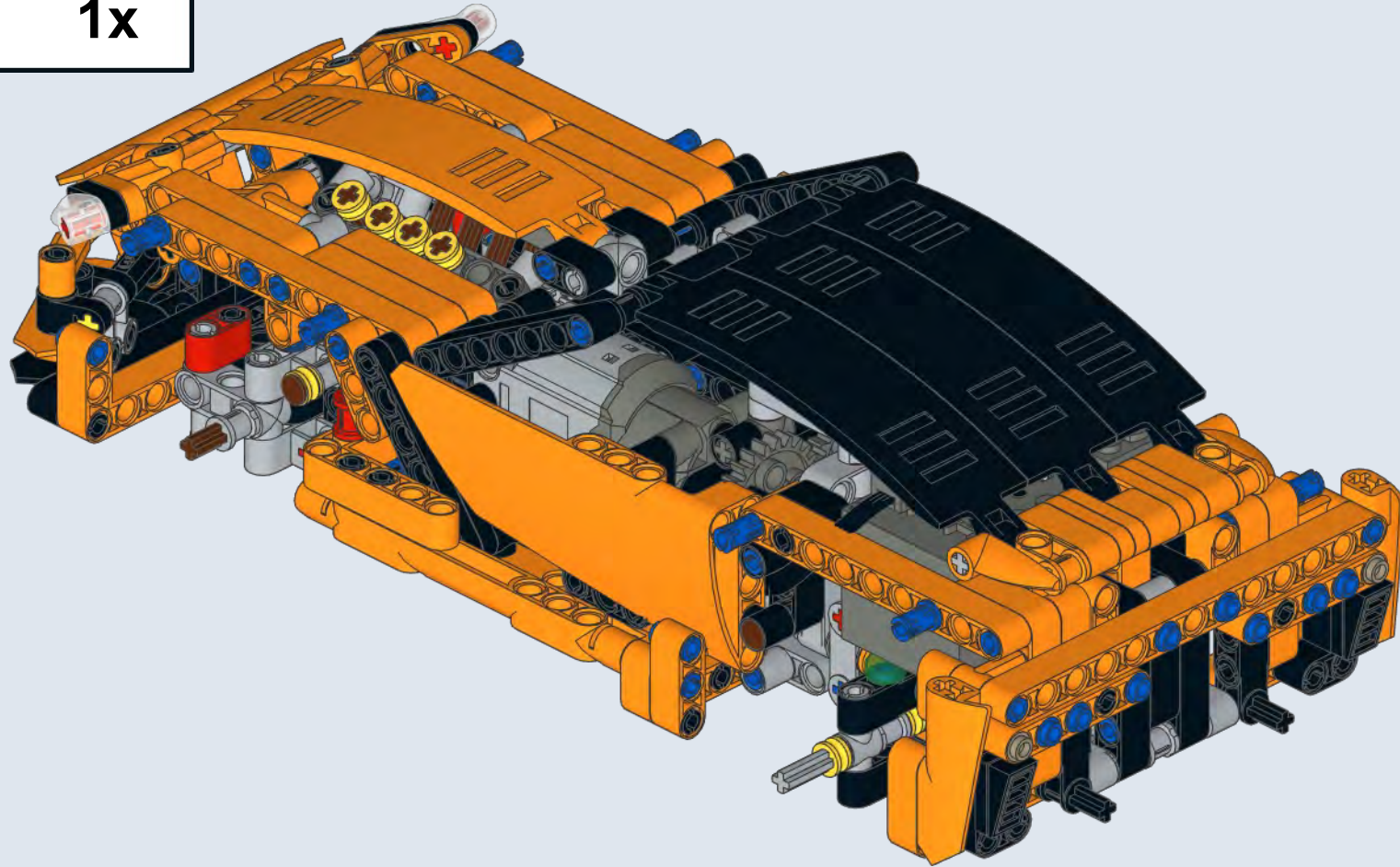
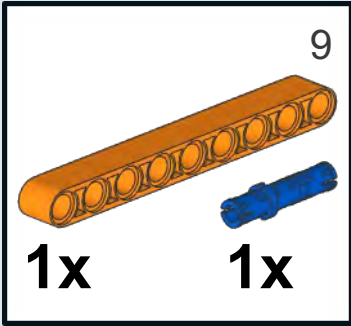


127



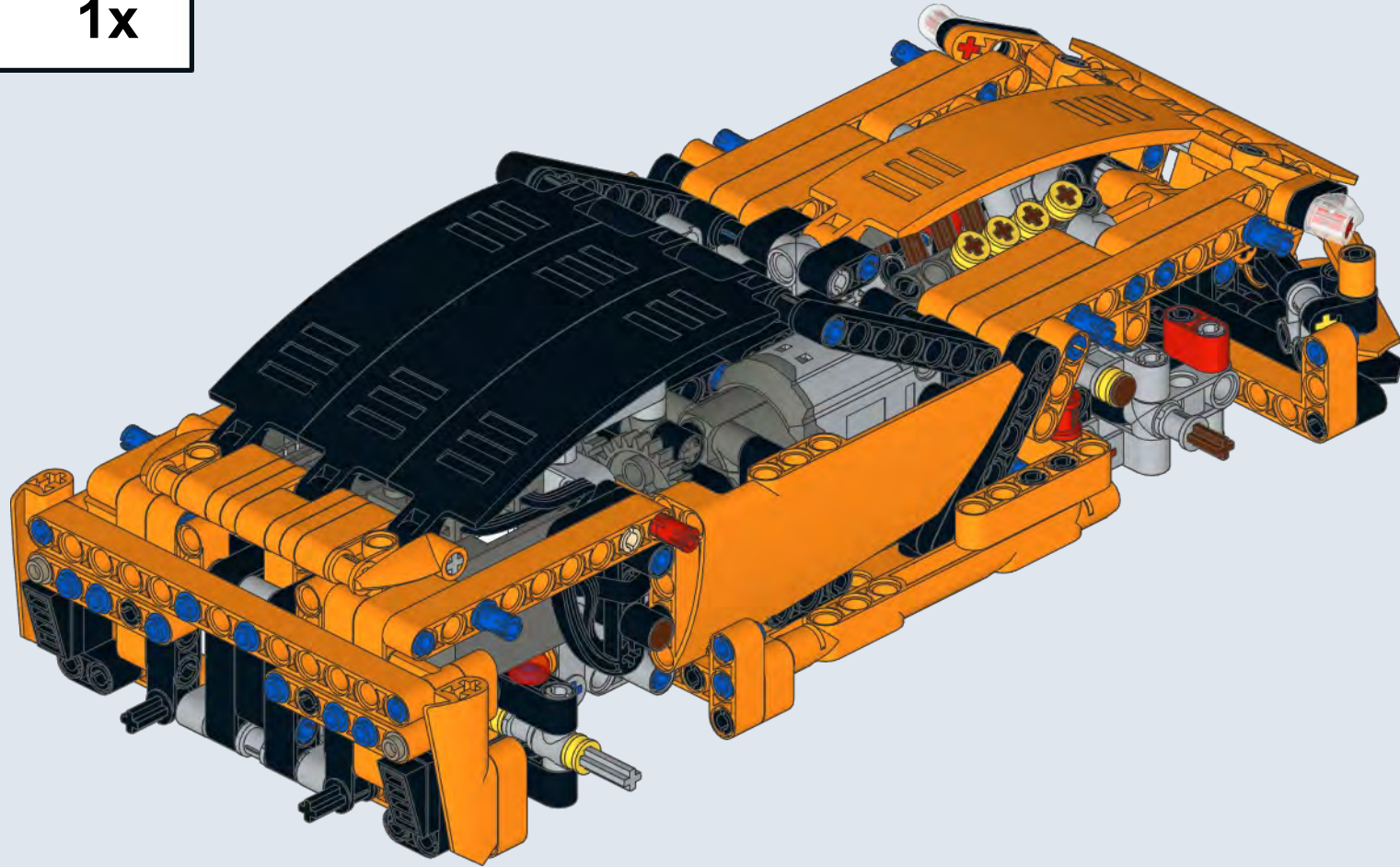
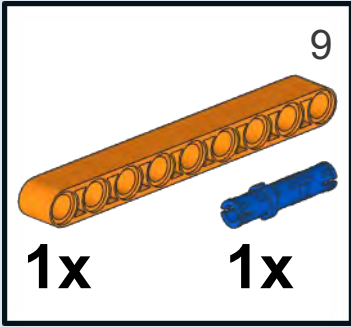


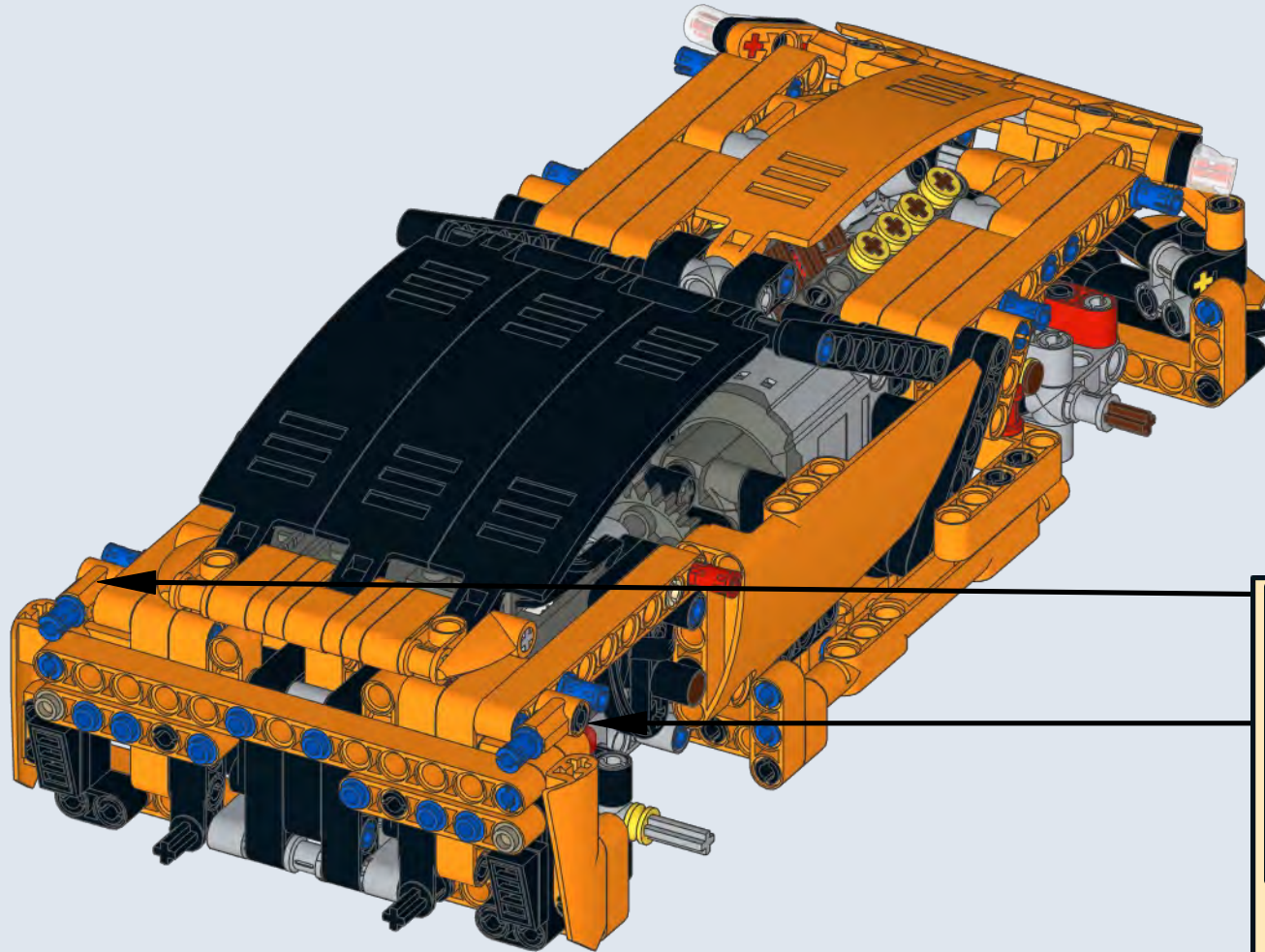
128





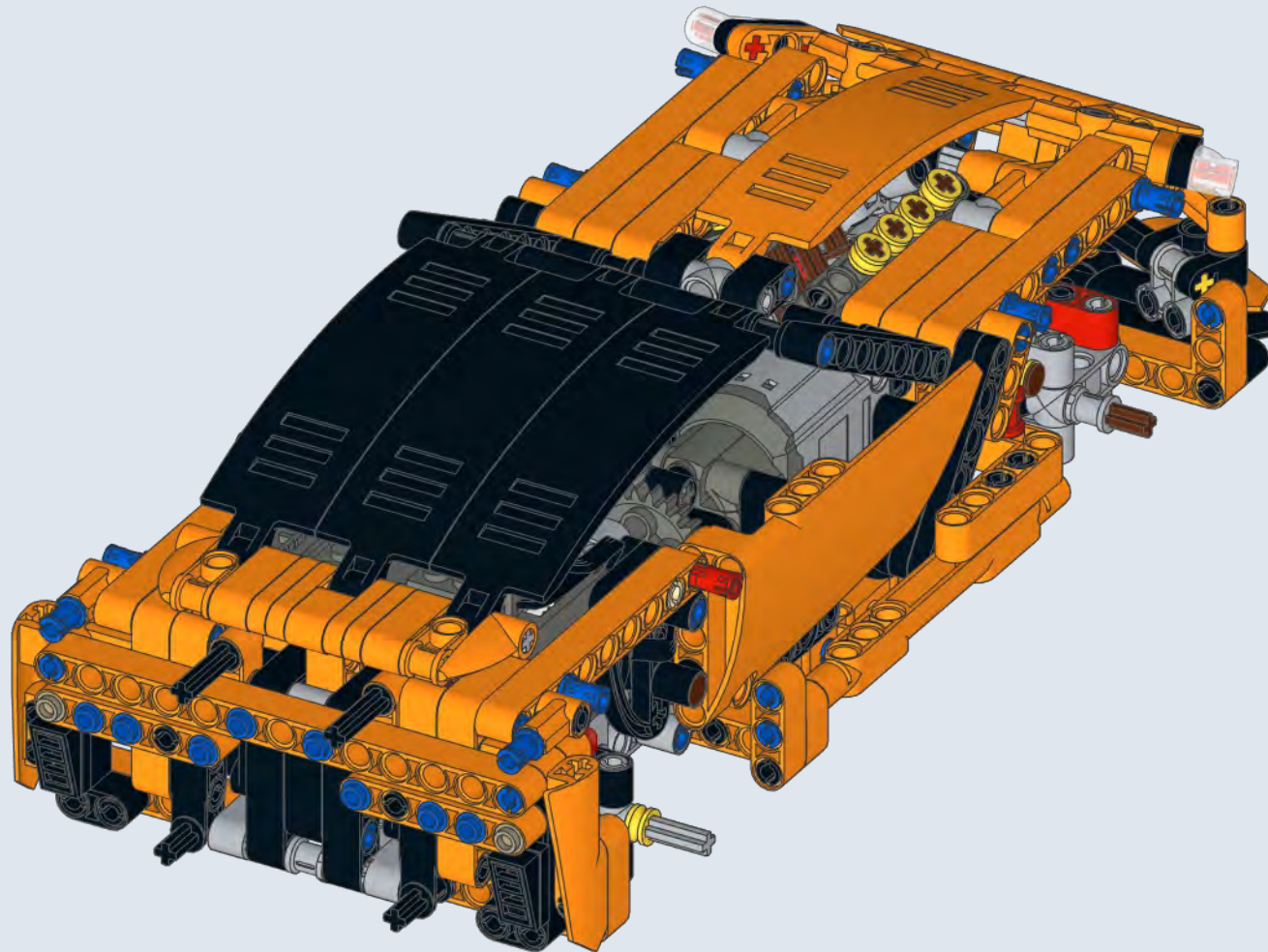
129





<b>1x</b>	
	<b>1x</b>
	<b>1x</b>
	<b>x2</b>

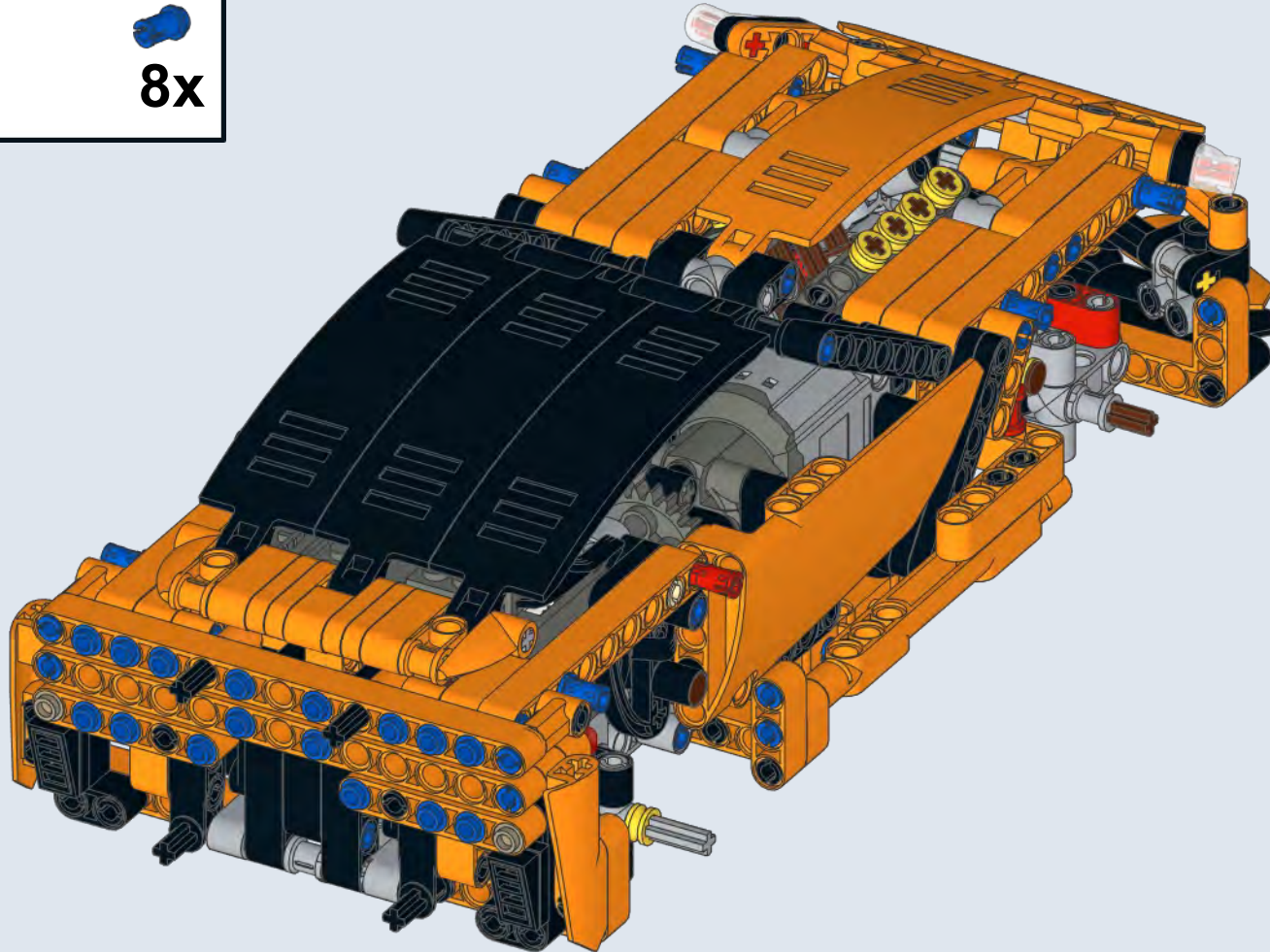
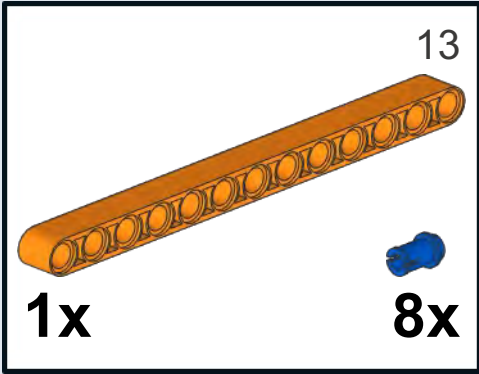
131

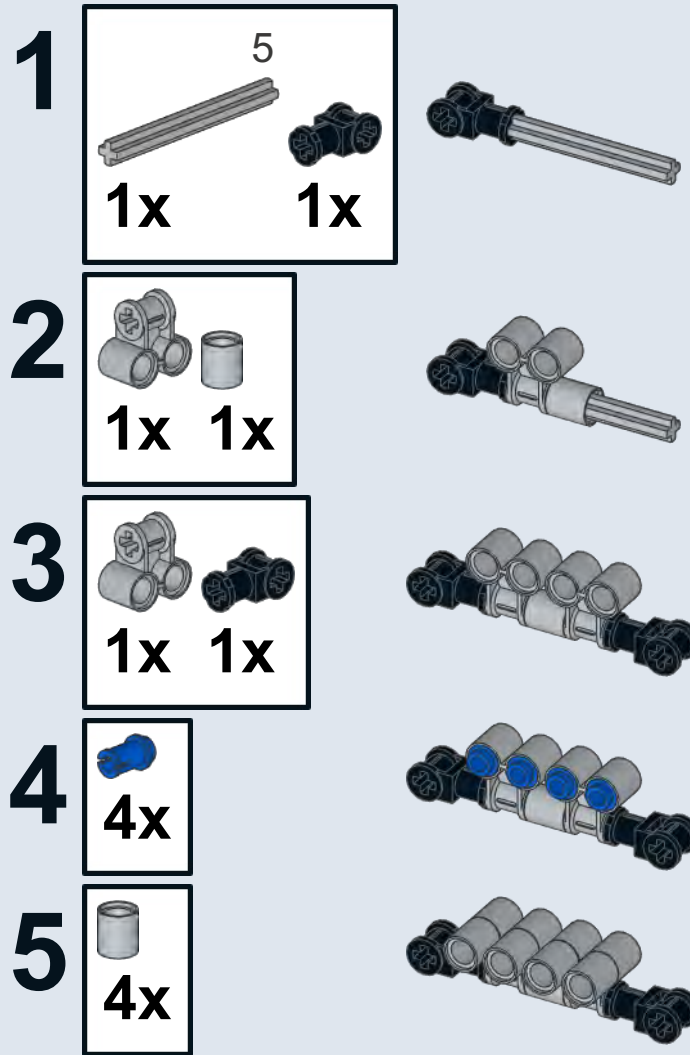


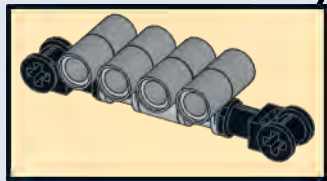
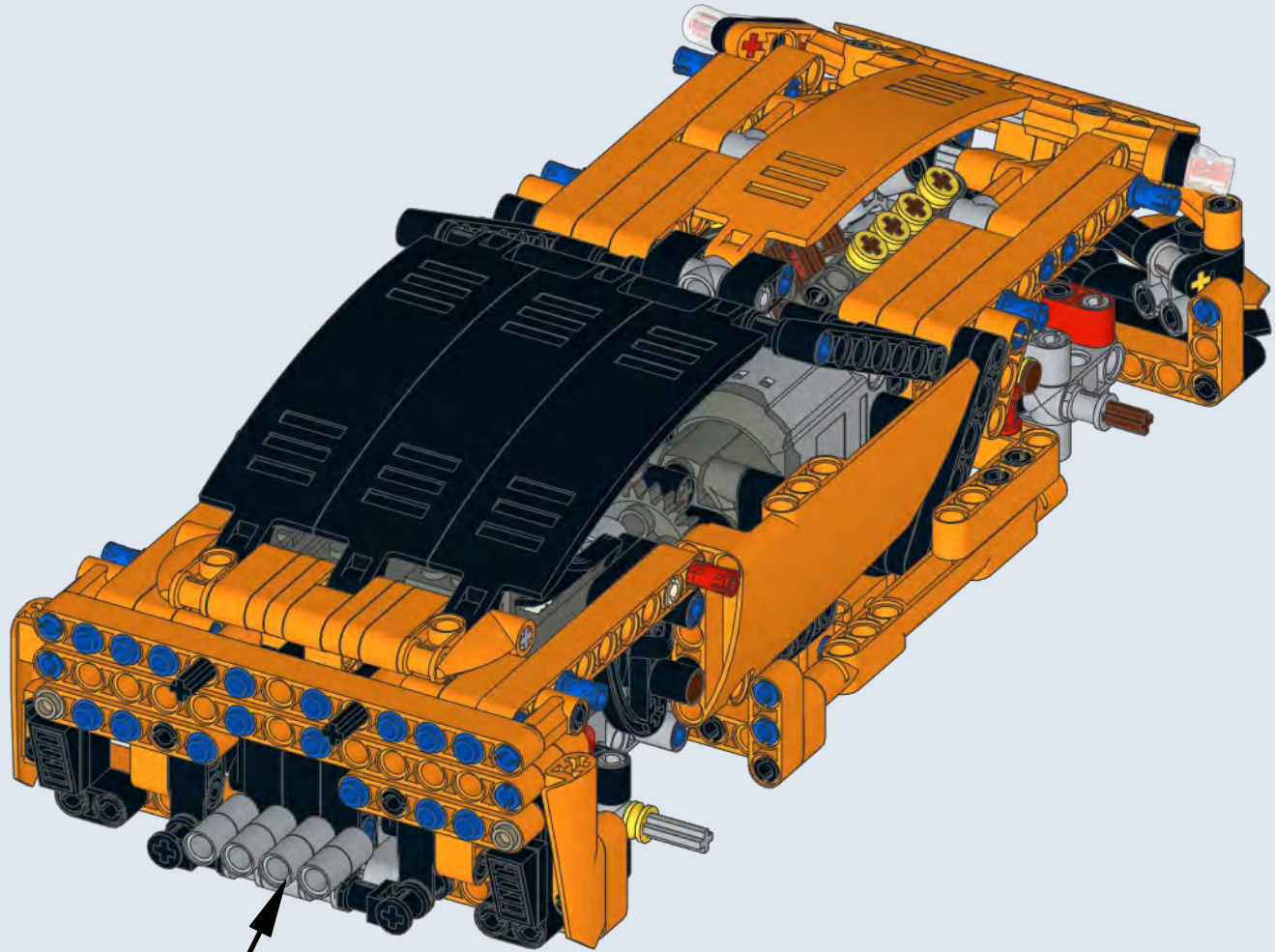




132

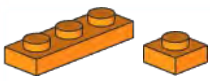




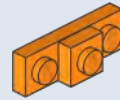




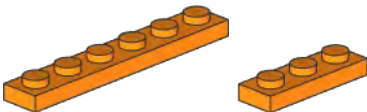
**1**



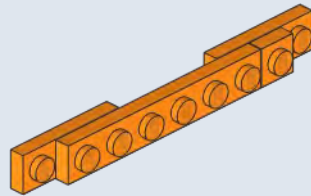
**1x 1x**



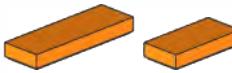
**2**



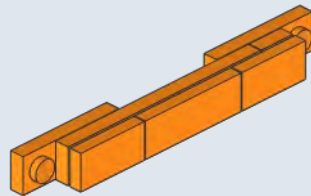
**1x 1x**




**3**



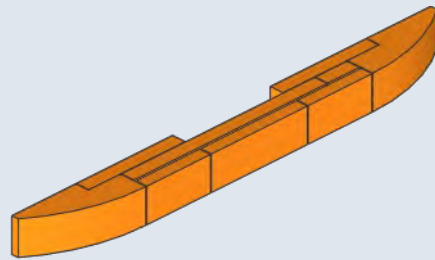
**1x 2x**

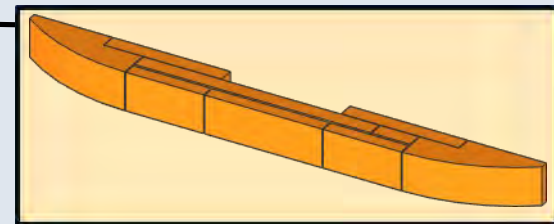
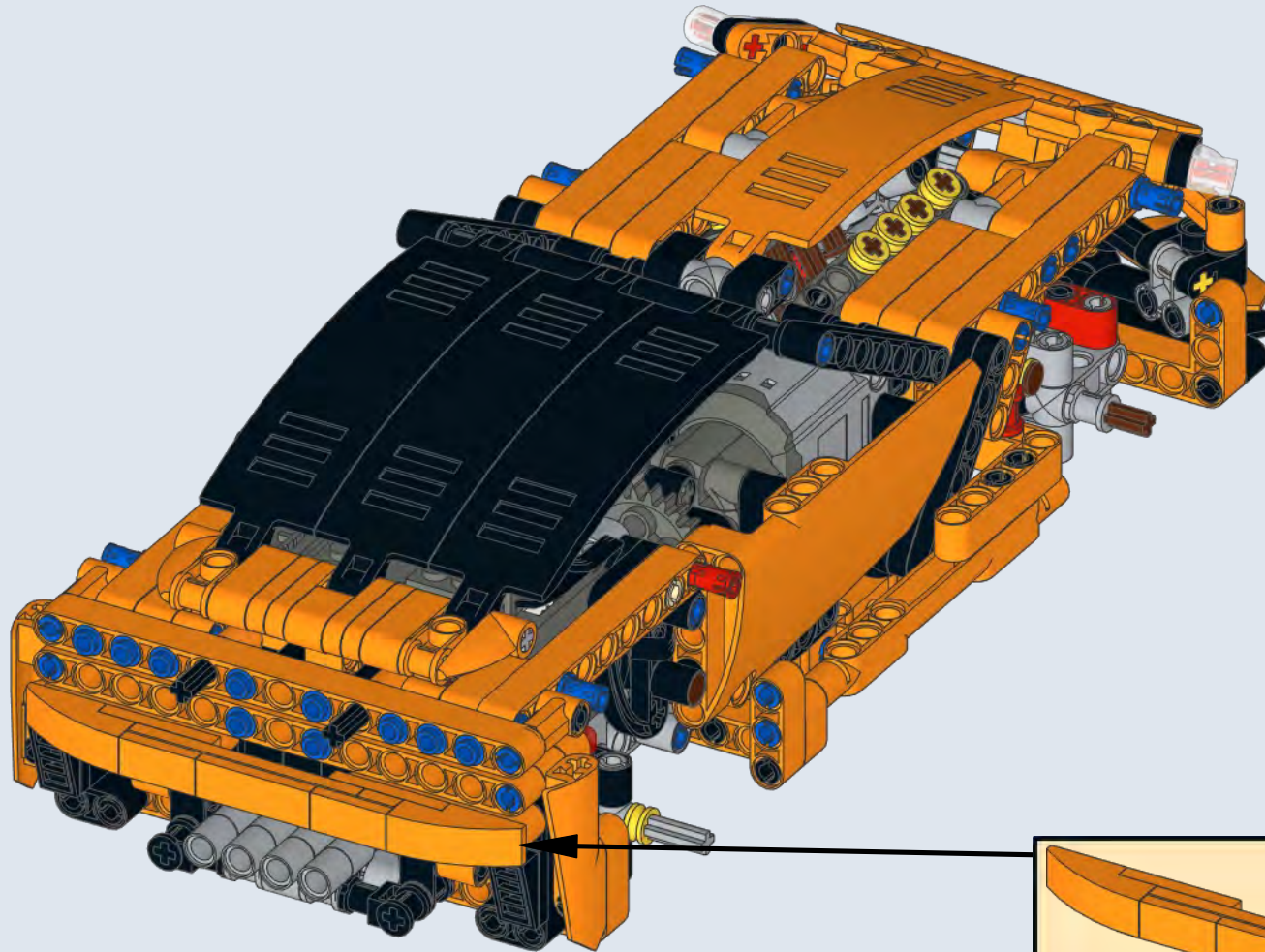


**4**



**2x**

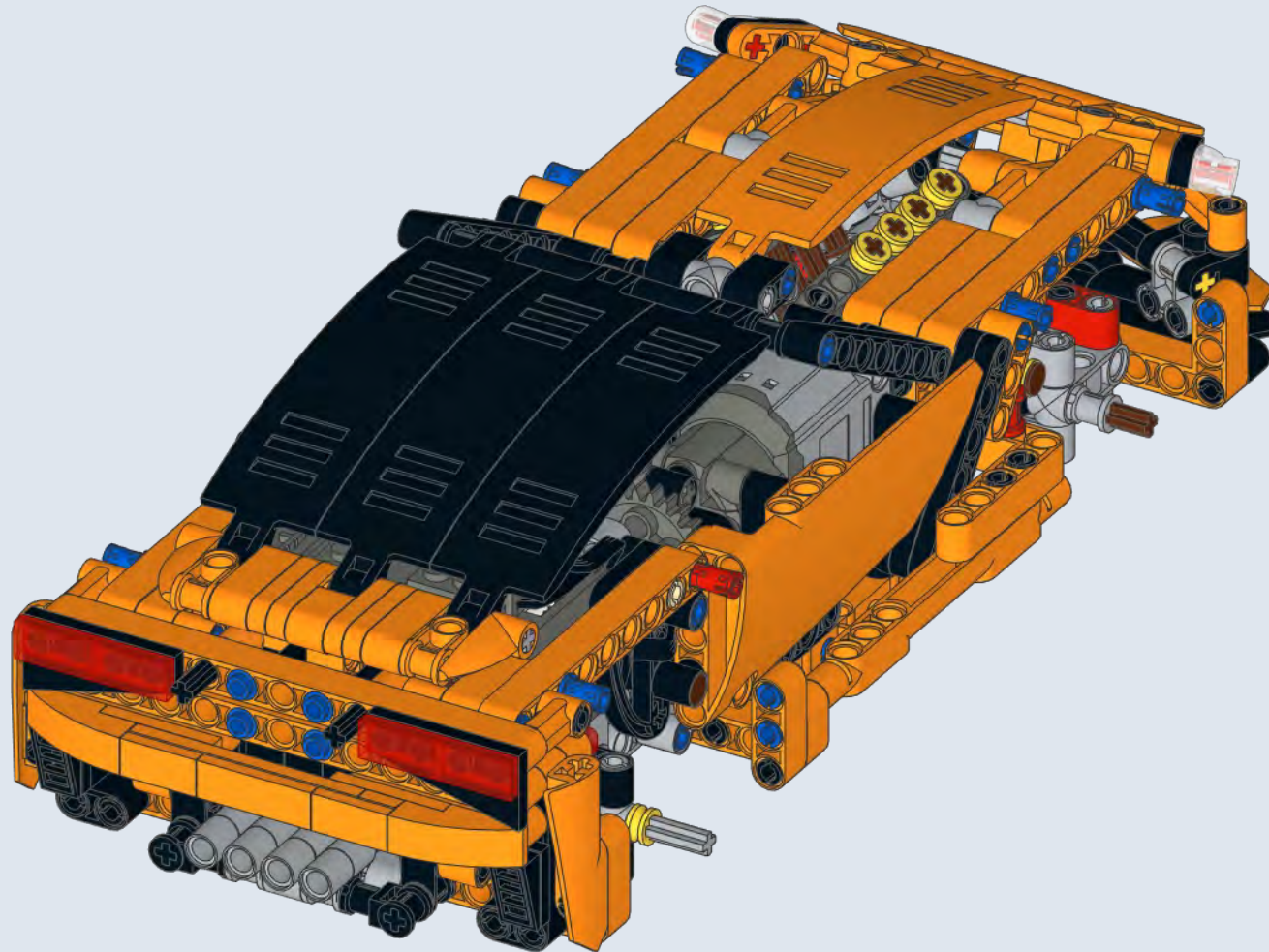




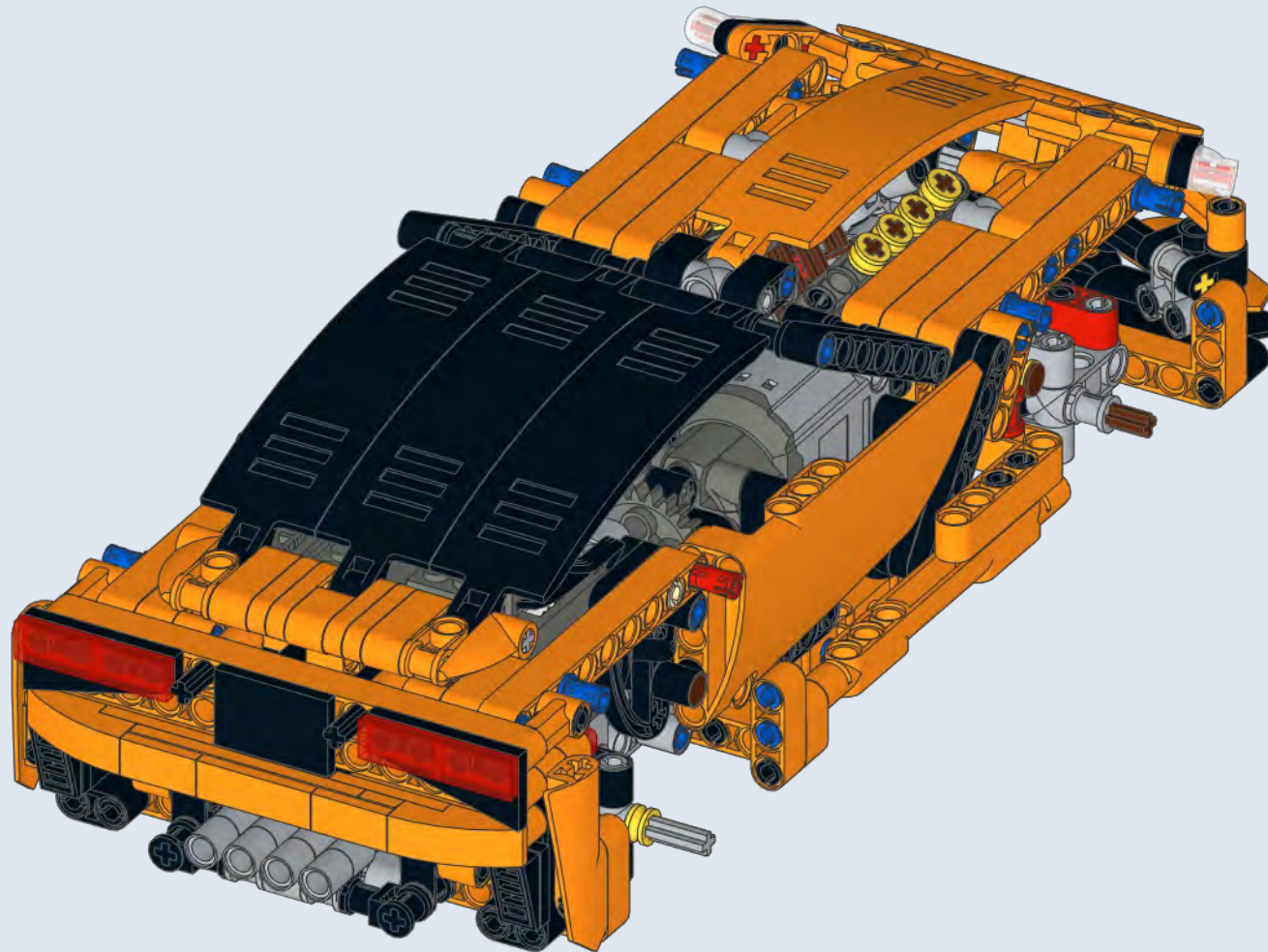
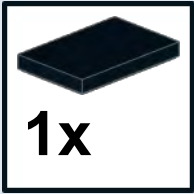


135

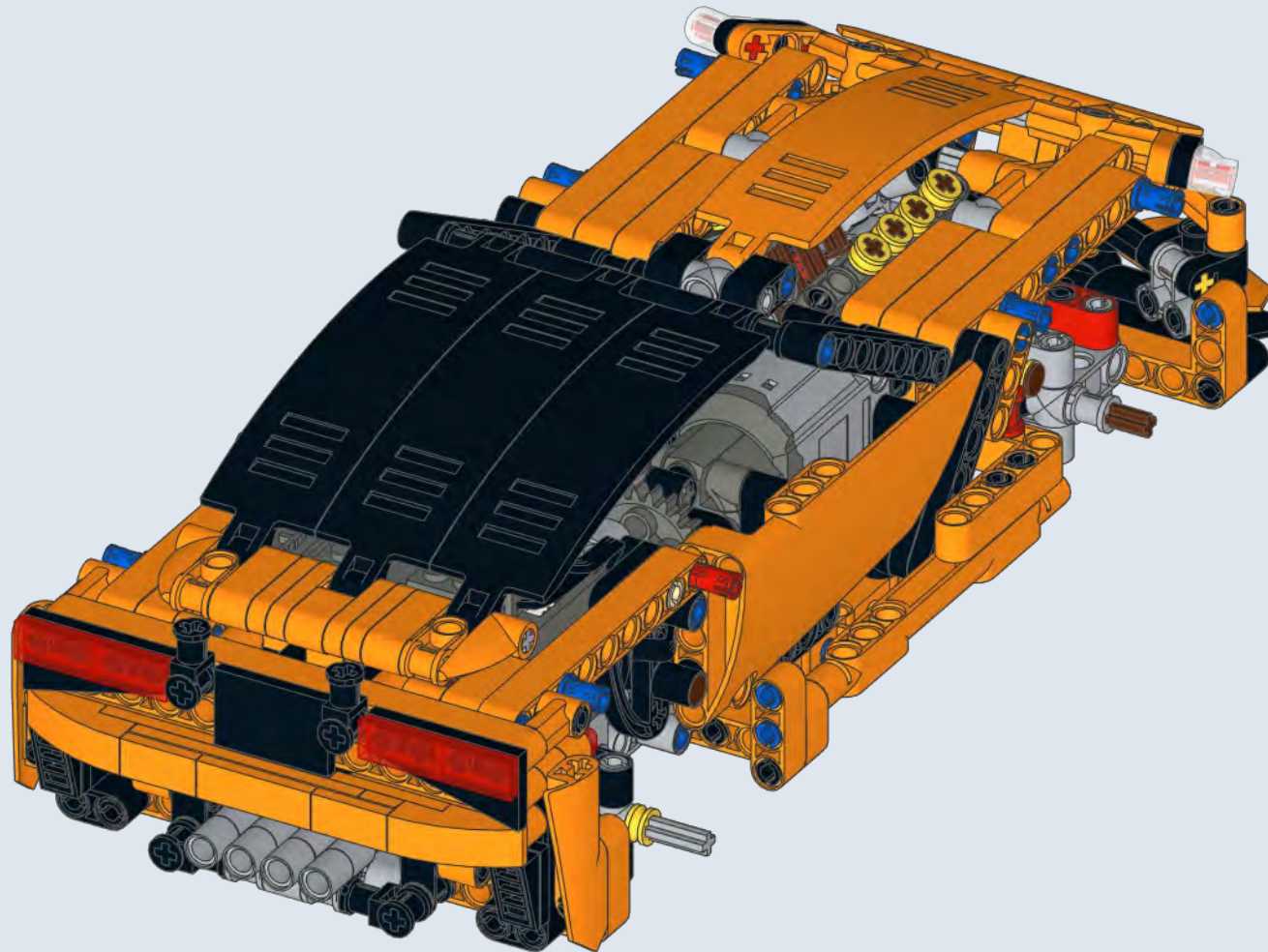
1x	1x	4x



136



137

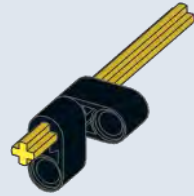






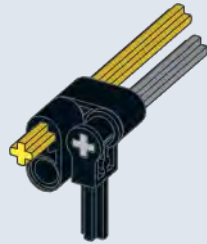
**1**

1x 2x



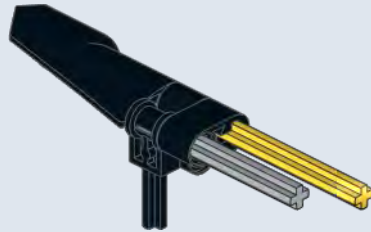
**2**

1x 1x



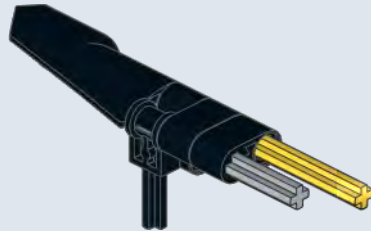
**3**

1x



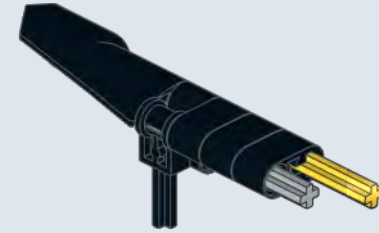
**4**

1x



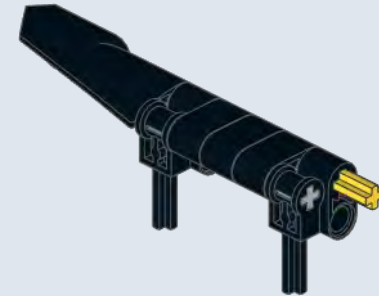
**5**

1x



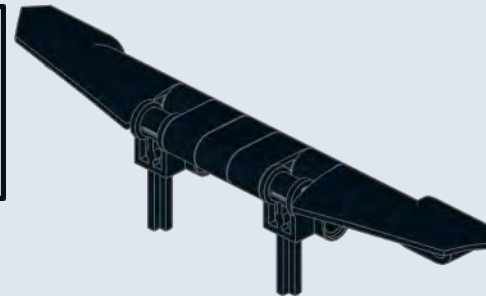
**6**

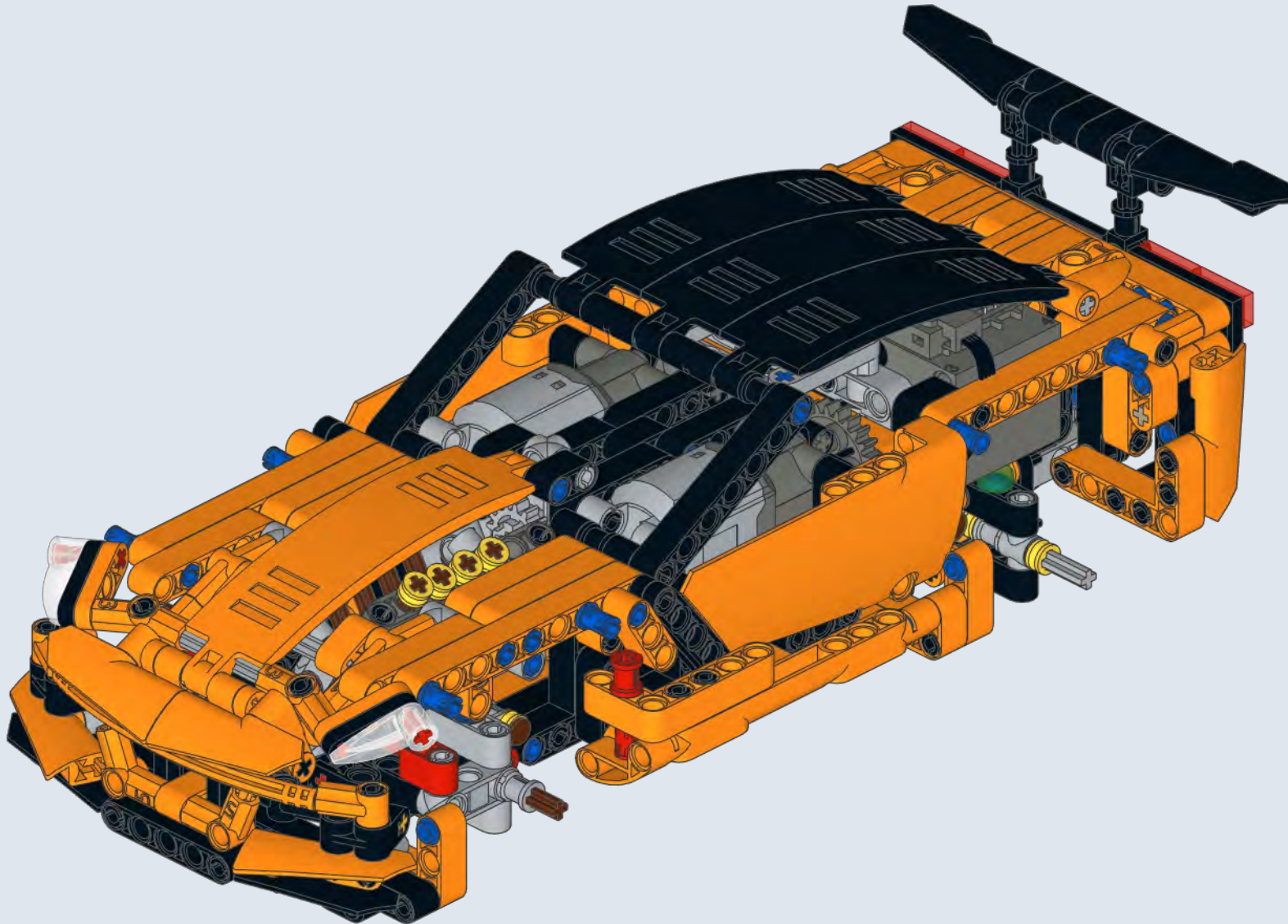
1x 1x

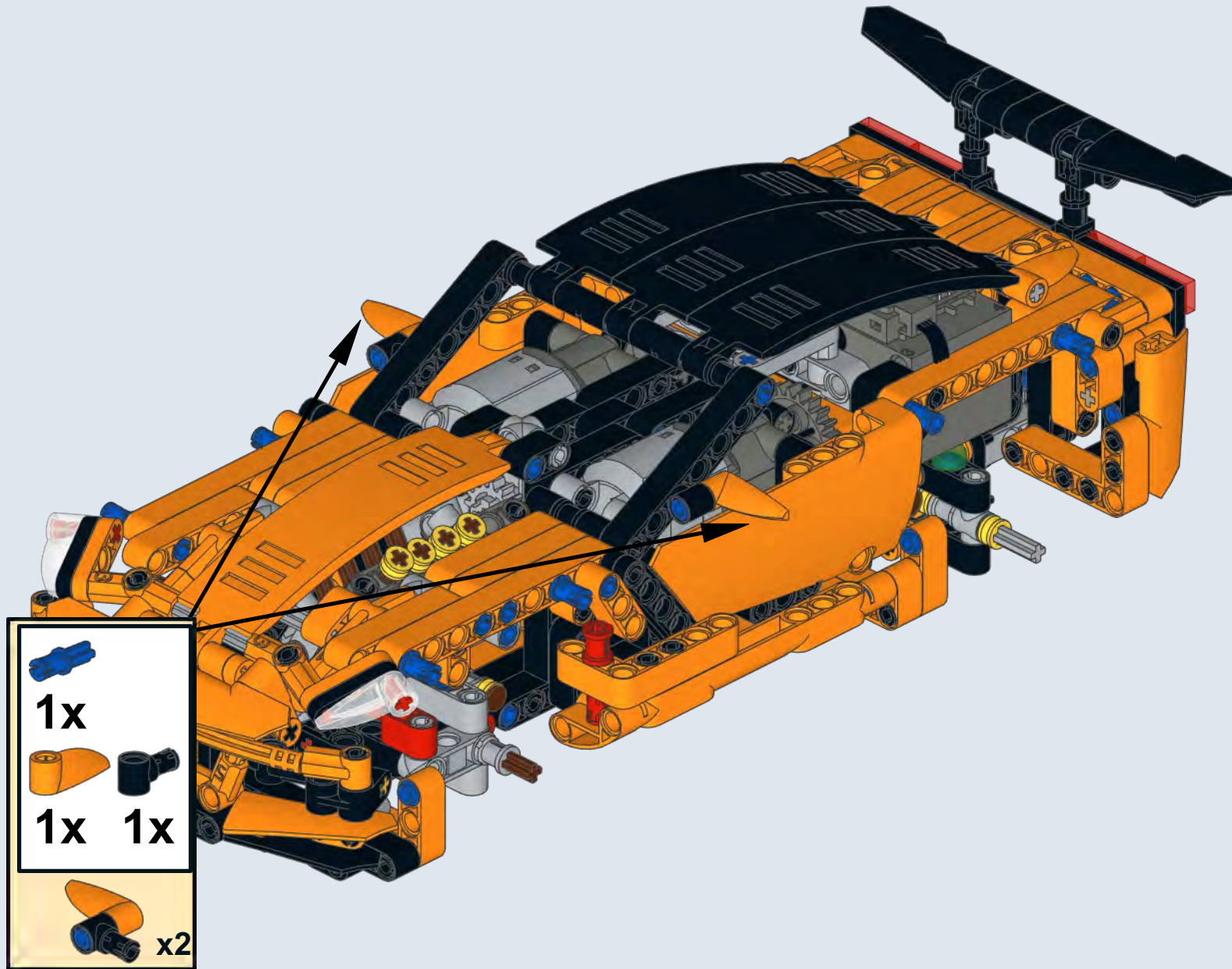


**7**

1x

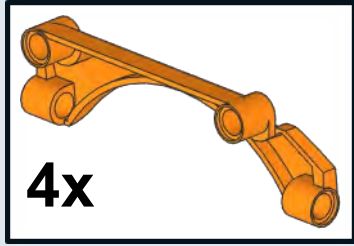








140



141





142

1x	1x
1x	1x

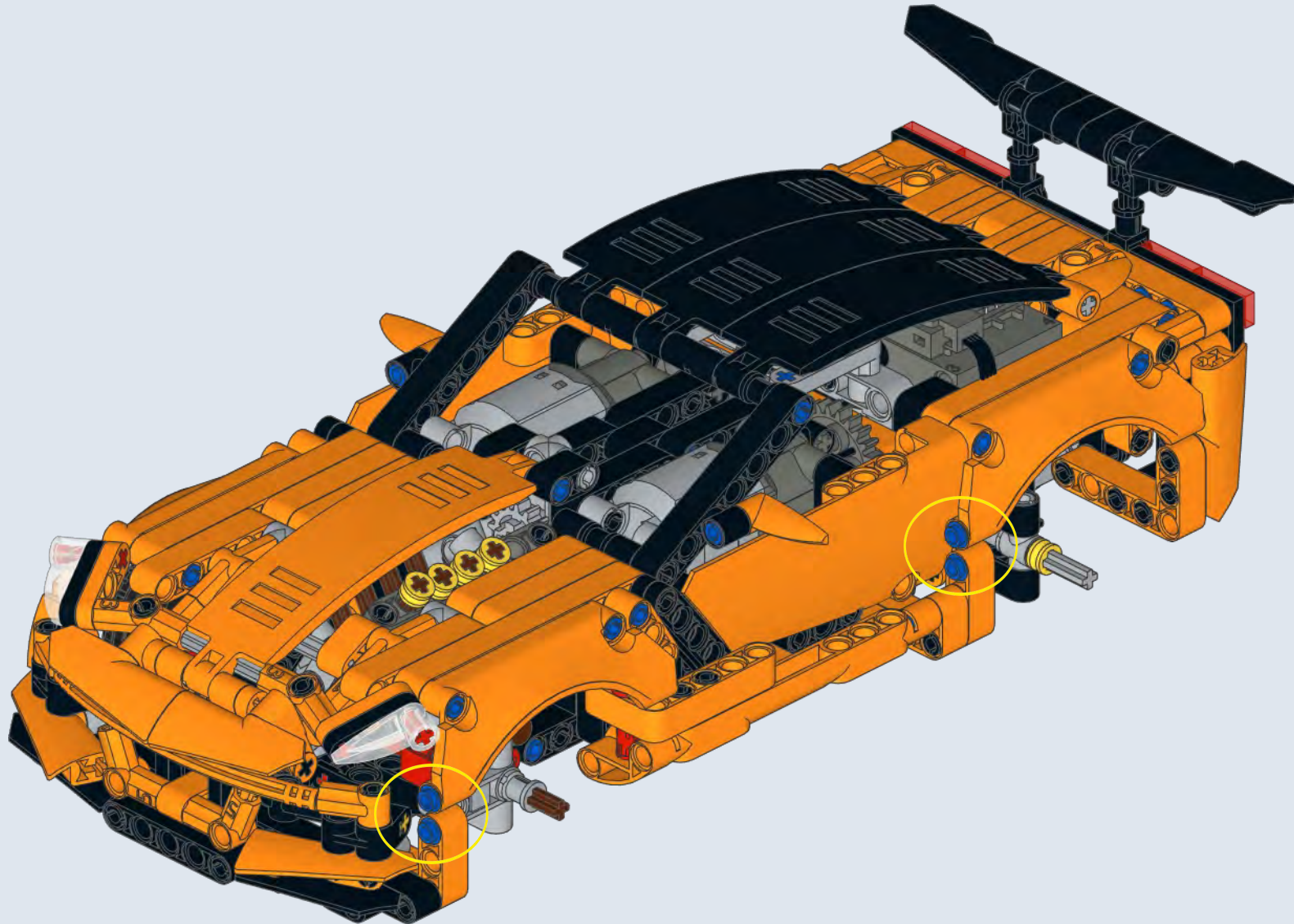




143



144







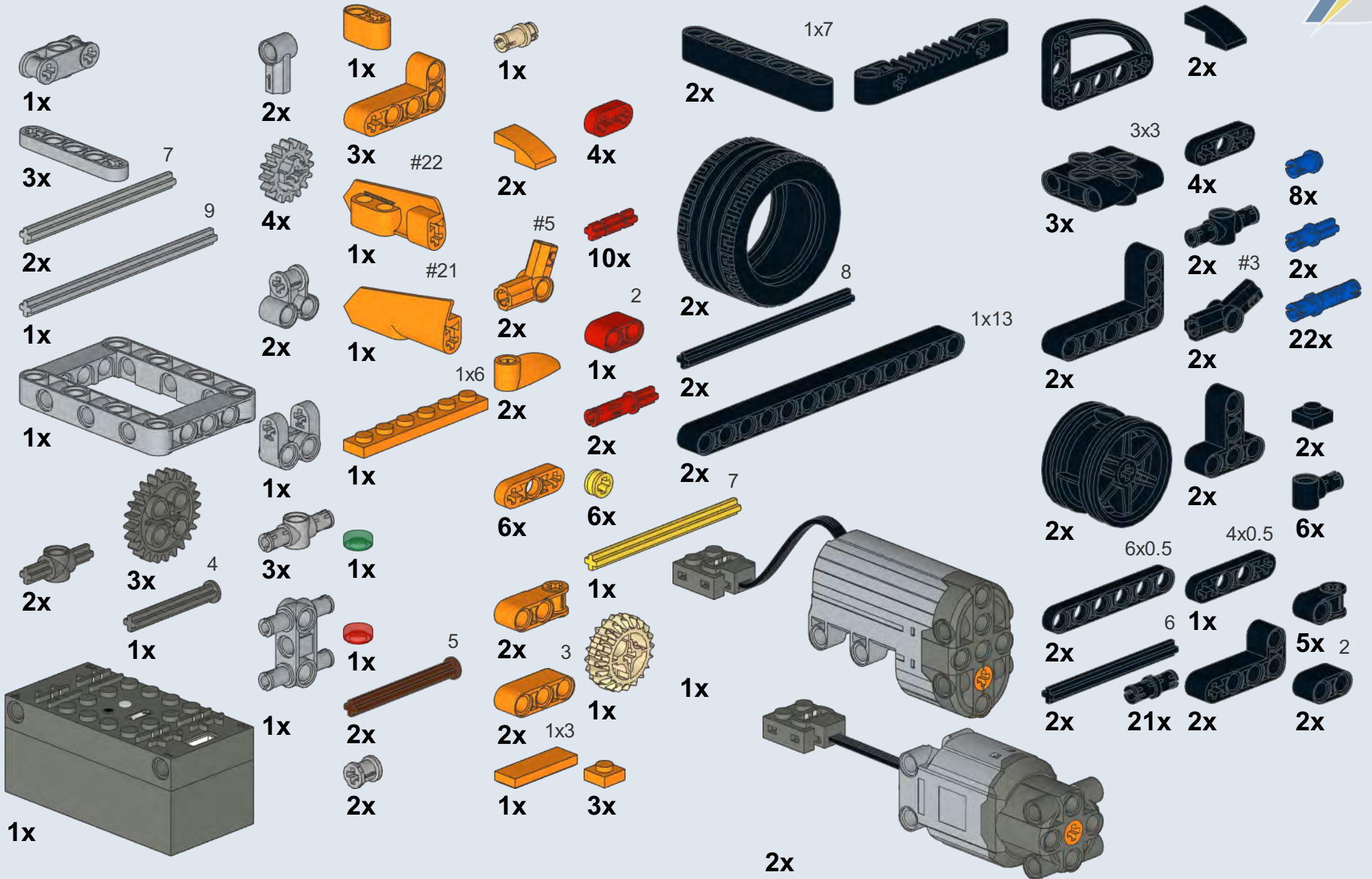
145

1x	1x
1x	1x





# Extra parts needed besides the parts from 42093, part list with numbers available here





**Thank you for your support!**

**I hope you enjoyed this build,  
click here to check out my  
other creations!**